



Care-Ware® 2899 Series Bedpan Washer



2899

Image May Show Some Available Options

Please visit www.acorneng.com for most current specifications.

Bedpan Washer

Bedpan Washer is intended to provide a convenient exposed wall hung unit for use in hospital patient rooms.

Wall Plate is heavy gage type 304 stainless steel with exposed surfaces polished to a satin finish. Wall plate attaches to a built-in mounting frame, which contains piping assemblies.

Mixing Valve is a hot and cold pressure balance type and allows for temperature adjustment. Valve includes lever handle, dial plate and concealed checkstops.

Bedpan Washer assembly includes hand spray with volume control and positive shut-off control, handle and 60" long pressure type stainless steel clad hose. Hand spray mounts to wall plate with mounting bracket.

Vacuum Breaker is chrome plated elevated pressure type, which is mounted to wall plate.

GUIDE SPECIFICATION

Provide and install Acorn Bedpan Washer Model 2899. Provide heavy gage type 304 stainless steel wall plate with satin finish and recessed wall mounting box. Provide hot and cold mixing valve with built-in checkstops. Provide pressure type vacuum breaker. Hand spray valve to include positive shut-off and 60" stainless steel clad hose.

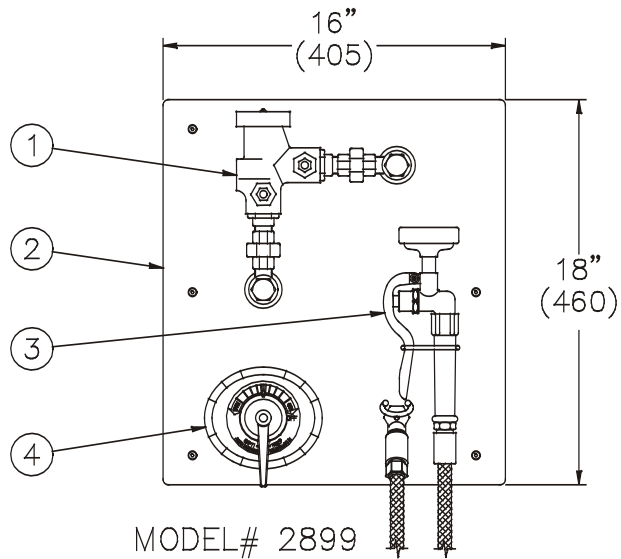
Care-Ware® : 2899 Bedpan Washer

BASE MODEL NUMBER
 -2899 Bedpan Washer

Product Options
 - * None Available



Please visit www.acorneng.com for most current specifications.



NOTES:

- 1. Vacuum Breaker.
- 2. Face Plate.
- 3. Bedpan Washer.
- 4. Control Valve.

Important: Installation instructions and current rough-in are furnished with each fixture. Do not rough in without certified dimensions. Dimensions are subject to manufacturer's tolerance of plus or minus 1/4" and change without notice. Acorn assumes no responsibility for use of void or superseded data. © Copyright 2004 Acorn Engineering Company	
<p style="text-align: center; margin: 0;">Selection Summary</p> <p>Model No. & Option _____</p> <p>Quantity _____</p>	<p style="text-align: center; margin: 0;">Approved for Manufacturing</p> <p>Company _____ Title _____</p> <p>Signature _____ Date _____</p>