



Care-Ware® 4010BIS Series

Swivette with Suffix Option -BIS, Built-In Seat



4010-BIS-L-1

Fixture May Show Some Available Options

Please visit www.acorneng.com for most current specifications.

Swivette with Suffix Option -BIS, Built-In Seat

Cabinet exterior surfaces are high pressure laminate. Interior surfaces are stain-resistant melamine laminate and stainless steel. Interior has a removable stainless steel floor to conceal frame anchors. Specify cabinet color selection.

Counter has a 3" backsplash and horizontal, bullnose front edge. Surface is high pressure laminate. Specify counter color selection.

Suffix -BIS, Built-In Seat, is an integral part of the counter top.

Lavatory is heavy gage, stainless steel, self-rimmed, furnished with P-trap and wall flange. Lavatory is always located on the opposite side of the toilet.

Lavatory Valve is a deck-mounted, hot and cold mixing valve with wrist blade handles and a 10" rigid gooseneck.

Toilet is stainless steel, siphon jet type with white plastic seat and self-sustaining check hinge. Door linkage swivels the toilet into the room when cabinet door is opened. The toilet is locked in place when open and must be unlatched to close. Toilet operates with a 1.6 GPF flush valve.

Hydraulic Flush Valve is furnished with a 1-3/4" diameter, hydraulically actuated, remote pushbutton. Flush valve requires a minimum of 25 PSI flow pressure.

Swivel Assembly is cast iron with a sanitary white Enviro-Glaze finish, and has a positive watertight, chemical-resistant seal. Swivel assembly requires floor anchoring and will withstand a 2,500 pound static vertical load.

GUIDE SPECIFICATION

Provide and install an Acorn Swivette (specify model number and options). Cabinet frame shall be heliarc welded, type 304 stainless steel, and shall not require wall support. Cabinet doors and panels shall be high pressure laminate. Door on toilet side shall be linked to toilet so that when door is opened or closed, the toilet will swivel accordingly. Door on lavatory side shall be provided with a toilet paper holder. Doors shall support a 250 pound static, vertical load. Front panels shall hinge open for access to valves and piping. Cabinet shall provide front toe space. Counter shall be high pressure laminate with a 3" backsplash, horizontal bullnose front and built-in seat. Lavatory bowl shall be heavy gage, stainless steel, self-rimmed, rectangular type, 9-1/2" x 14-1/2" x 6" deep. P-trap shall be furnished. Toilet shall be stainless steel, elongated, siphon jet type, and shall flush in any position along the arc of movement. Trap shall pass a 2-1/8" ball. Toilet shall withstand a loading of 2,500 pounds without permanent damage. Toilet seat shall have self-sustaining check hinge. Toilet to flush with a 1.6 GPF flush valve.

Care-Ware® 4010BIS: Swivette with Suffix Option -BIS, Built-In Seat



MODEL NUMBER AND OPTIONS SELECTION

BASE MODEL NUMBER (Must Specify)

- 4010-BIS Swivette Free-Standing, Back Wall Waste Outlet
- 4012-BIS Swivette Free-Standing, Side Wall Waste Outlet
- 4015-BIS Swivette Free-Standing, Floor Waste Outlet

Note: Side wall outlet is only available on the toilet side of fixture.

TOILET ORIENTATION (Must Specify)

- L Left Hand Toilet
- R Right Hand Toilet

Notes: L (left) or R (right) indicates toilet location in opened position when facing the fixture. Lavatory is always located on side opposite the toilet.

BACKSPLASH ORIENTATION (Must Specify)

- 1 Back Wall Only (One Wall)
- 2 Right Hand Corner (Two Wall)
- 3 Left Hand Corner (Two Wall)
- 4 Alcove (Three Wall)

COLOR SELECTION (Must Specify)

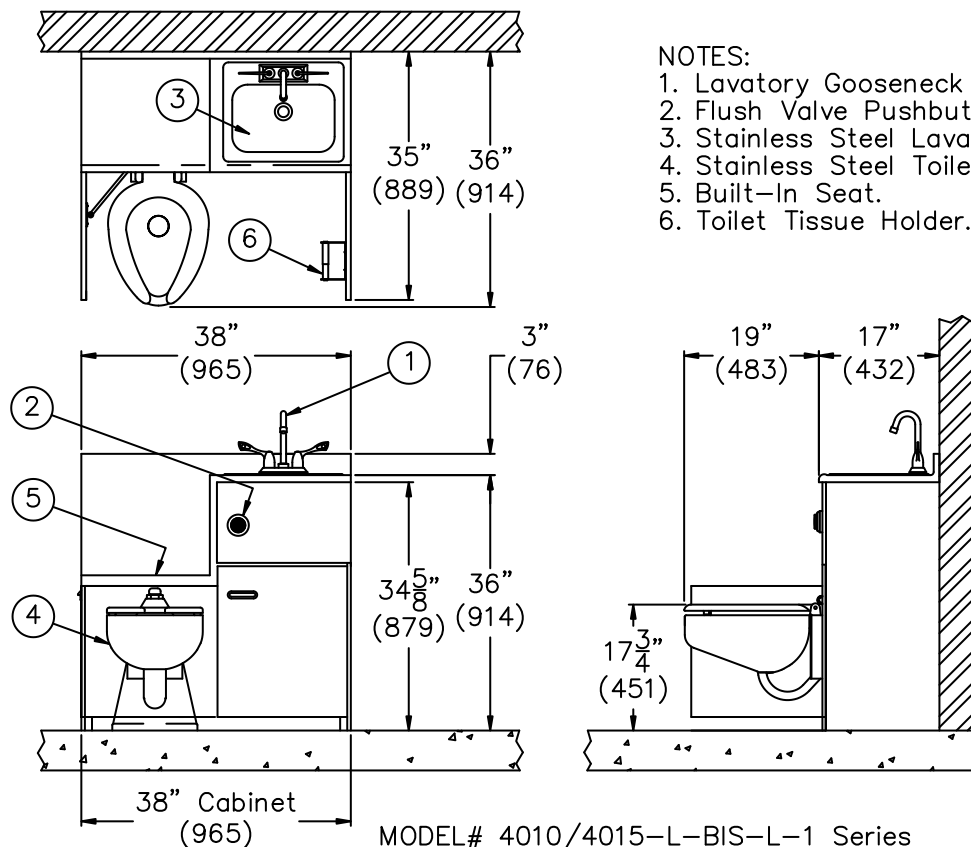
Countertop _____

Cabinet _____

Product Options

- AE Aerator (on Gooseneck Spout)
- BAT Battery Operated (-SO)
- BL Bedpan Lugs
- CSP Cushioned Seat Pad
- EC Extended Countertop (Lavy Side)
Specify Length _____
- EC Extended Countertop
- EG Enviro-Glaze __ Lavatory __ Toilet.
Specify Color: _____
- EP Exposed Paper Holder
- LFN Laminar Flow Nozzle
- LS Lavatory Hose Spray
- MT Metal Template
- SO Sensor Operated Valve
- SUG Swing Up Grab Bar
- VF Concealed H & C Foot Pedal Operated Air-Control Valve

Please visit www.acorneng.com for most current specifications.



- NOTES:
1. Lavatory Gooseneck Faucet.
 2. Flush Valve Pushbutton.
 3. Stainless Steel Lavatory.
 4. Stainless Steel Toilet.
 5. Built-In Seat.
 6. Toilet Tissue Holder.

MODEL# 4010/4015-L-BIS-L-1 Series

<p>Important: Installation instructions and current rough-in are furnished with each fixture. Do not rough in without certified dimensions. Dimensions are subject to manufacturer's tolerance of plus or minus 1/4" and change without notice. Acorn assumes no responsibility for use of void or superseded data. © Copyright 2008 Acorn Engineering Company</p>	
<p>Selection Summary</p> <p>Model No. & Option _____</p> <p>Quantity _____</p>	<p>Approved for Manufacturing</p> <p>Company _____ Title _____</p> <p>Signature _____ Date _____</p>