



Care-Ware® 4020 Series

Swivette Built-In Models



4020-L

Fixture May Show Some Available Options

Please visit www.acorneng.com for most current specifications.

Swivette Built-In Models

Cabinet exterior surfaces are high pressure laminate. Interior surfaces are stain-resistant melamine laminate and stainless steel. Interior has a removable stainless steel floor to conceal frame anchors. Specify cabinet color selection.

Toilet is stainless steel, siphon jet type with white plastic seat and self-sustaining check hinge. Door linkage swivels the toilet into the room when cabinet door is opened. The toilet is locked in place when open and must be unlatched to close. Toilet operates with a 1.6 GPF flush valve.

Hydraulic Flush Valve is furnished with a 1-3/4" diameter, hydraulically actuated, remote pushbutton. Flush valve requires a minimum of 25 PSI flow pressure.

Swivel Assembly is cast iron with a sanitary white Enviro-Glaze finish, and has a positive watertight, chemical-resistant seal. Swivel assembly requires floor anchoring and will withstand a 2,500 pound static vertical load.

GUIDE SPECIFICATION

Provide and install Acorn Swivette (specify model number and options). Cabinet frame shall be heliarc welded, type 304 stainless steel, and shall not require wall support. Cabinet doors and panels shall be high pressure laminate. Door on toilet side shall be linked to toilet, so that when door is opened or closed, the toilet will swivel accordingly. Door on the opposite side shall be provided with a toilet paper holder. Doors shall support a 250 pound static, vertical load. Front panels shall hinge open for access to valves and piping. Bedpan storage cupboard shall be provided above the toilet. Cabinet shall provide front toe space. P-trap shall be furnished. Toilet shall be stainless steel, elongated, siphon jet type, and shall flush in any position along the arc of movement. Trap shall pass a 2-1/8" ball. Toilet shall withstand loadings of 2,500 pounds without permanent damage. Toilet seat shall have self-sustaining check hinge. Toilet to flush with a 1.6 GPF flush valve.



Care-Ware® 4020: Swivette Built-In Models

MODEL NUMBER AND OPTIONS SELECTION

BASE MODEL NUMBER (Must Specify)

- 4020 Swivette, Built-In, Back Wall Waste Outlet
- 4022 Swivette, Built-In, Side Wall Waste Outlet
- 4025 Swivette, Built-In, Floor Waste Outlet

Note: Side wall outlet is only available on the toilet side of fixture.

TOILET ORIENTATION (Must Specify)

- L Left Hand Toilet
- R Right Hand Toilet

Notes: L (left) or R (right) indicates toilet location in opened position when facing the fixture. Lavatory is always located on side opposite the toilet.

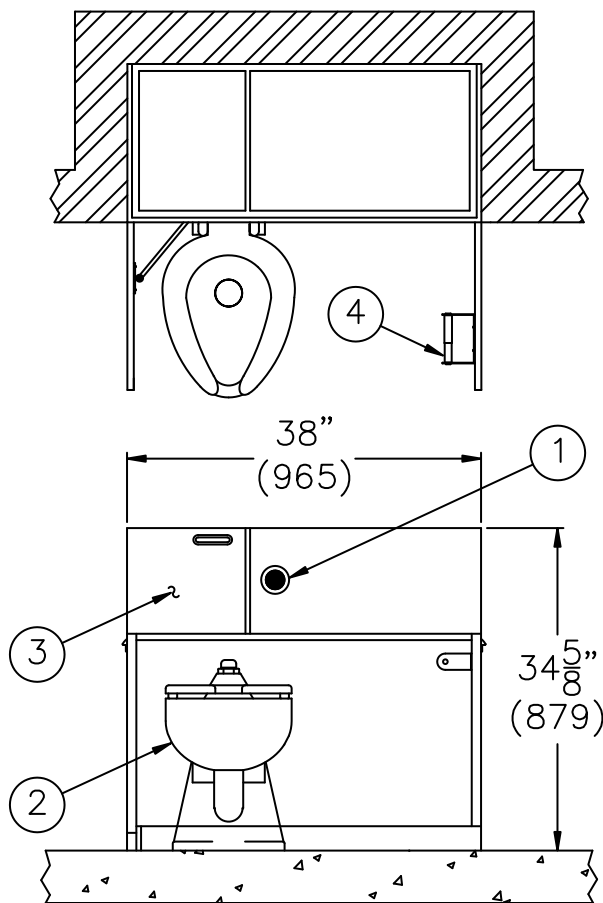
COLOR SELECTION (Must Specify)

Cabinet _____

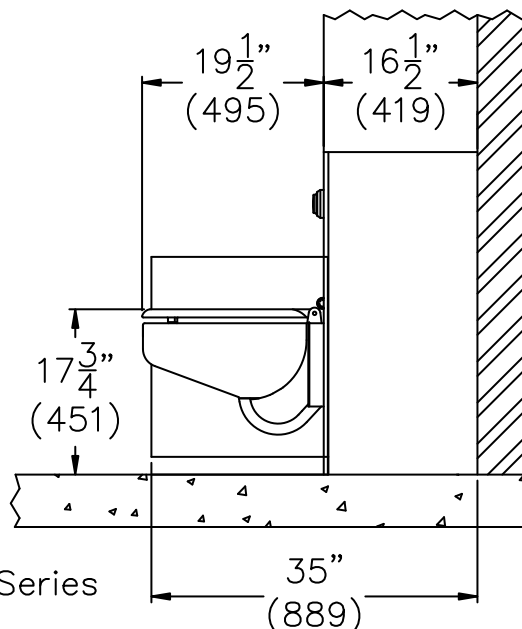
Product Options

- BL Bedpan Lugs
- BW Bedpan Flusher (Built-In)
- DB Hemo-Dialysis Box (Built-In)
__Single Valve__Dual Valves
- EG Enviro-Glaze Toilet. Specify: _____
- EP Exposed Paper Holder
- MT Metal Template
- SS Storage Shelf

Please visit www.acorneng.com for most current specifications.



- NOTES:
1. Flush Valve Pushbutton.
 2. Stainless Steel Toilet.
 3. Storage Compartment.
 4. Toilet Tissue Holder.



MODEL# 4020/4022/4025-L Series

<p>Important: Installation instructions and current rough-in are furnished with each fixture. Do not rough in without certified dimensions. Dimensions are subject to manufacturer's tolerance of plus or minus 1/4" and change without notice. Acorn assumes no responsibility for use of void or superseded data. © Copyright 2008 Acorn Engineering Company</p>	
<p style="text-align: center;">Selection Summary</p> <p>Model No. & Option _____</p> <p>Quantity _____</p>	<p style="text-align: center;">Approved for Manufacturing</p> <p>Company _____ Title _____</p> <p>Signature _____ Date _____</p>