



Care-Ware® 4030 Series

Swivette with Bedpan Washer Cabinet Free-Standing Models



4030-R-1

Fixture May Show Some Available Options

Please visit www.acorneng.com for most current specifications.

Swivette with Bedpan Washer Cabinet Free-Standing Models

Cabinet exterior surfaces are high pressure laminate. Interior surfaces are stain-resistant melamine laminate and stainless steel. Interior has a removable stainless steel floor to conceal frame anchors. Specify cabinet color selection.

Counter has a 3" backsplash and a bullnose front edge. Surface is high pressure laminate. Specify counter color selection.

Lavatory is heavy gage, type 304 stainless steel, self-rimmed, furnished with P-trap and wall flange. Lavatory is always located on the opposite side of the toilet.

Lavatory Valve is a deck-mounted, hot and cold mixing valve with wrist blade handles and a 10" rigid gooseneck.

Toilet is stainless steel, siphon jet type with white plastic seat and self-sustaining check hinge. Door linkage swivels the toilet into the room when cabinet door is opened. The toilet is locked in place when open and must be unlatched to close. Toilet operates with a 1.6 GPF flush valve.

Hydraulic Flush Valve is furnished with a 1-3/4" diameter, hydraulically actuated, remote pushbutton. Flush valve requires a minimum of 25 PSI flow pressure.

Swivel Assembly is cast iron with a sanitary white Enviro-Glaze finish, and has a positive watertight, chemical resistant seal. Swivel assembly requires floor anchoring and will withstand a 2,500 pound static vertical load.

Bedpan Washer Cabinet mounts on toilet side of cabinet and includes a hand-held bedpan washer with volume control, positive shut-off and stainless steel hose. An elevated pressure type vacuum breaker by others is recommended with this feature to prevent back-siphonage or backflow occurring and possibly contaminating the water supply. Consult local codes and ordinances for requirements.

GUIDE SPECIFICATION

Provide and install Acorn Swivette (specify model number and options). Cabinet frame shall be heliarc welded, type 304 stainless steel, and shall not require wall support. Cabinet doors and panels shall be high pressure laminate. Door on toilet side shall be linked to toilet, so that when door is opened or closed, the toilet will swivel accordingly. Door on lavatory side shall be provided with a toilet paper holder. Doors shall support a 250 pound static, vertical load. Front panels shall hinge open for access to valves and piping. Bedpan storage cupboard shall be provided above the toilet. Cabinet shall provide front toe space. Counter shall be high pressure laminate with a 3" backsplash and bullnose front. Lavatory bowl shall be heavy gage, type 304 stainless steel, self-rimmed, rectangular type, 9-1/2" x 14-1/2" x 6" deep. P-trap shall be furnished. Toilet shall be stainless steel, elongated, siphon jet type, and shall flush in any position along the arc of movement. Trap shall pass a 2-1/8" ball. Toilet shall withstand loadings of 2,500 pounds without permanent damage. Toilet seat shall have self-sustaining check hinge. Toilet to flush with a 1.6 GPF flush valve. Bedpan washer cabinet shall include a hand-held bedpan washer with positive shut-off and stainless steel hose.

Care-Ware® 4030: Swivette with Bedpan Washer Cabinet Free-Standing Models



MODEL NUMBER AND OPTIONS SELECTION

BASE MODEL NUMBER (Must Specify)

- 4030 Swivette, Back Wall Waste Outlet
- 4032 Swivette, Side Wall Waste Outlet
- 4035 Swivette, Floor Waste Outlet

Note: Side wall outlet is only available on the toilet side of fixture.

TOILET ORIENTATION (Must Specify)

- L Left Hand Toilet
- R Right Hand Toilet

Notes: L (left) or R (right) indicates toilet location in opened position when facing the fixture. Lavatory is always located on side opposite the toilet.

BACKSPLASH/CABINET ORIENTATION (Must Specify)

- 1 Back Wall Only (One Wall)
- 2 Right Hand Corner (Two Wall)
- 3 Left Hand Corner (Two Wall)
- 4 Alcove (Three Wall)

COLOR SELECTION (Must Specify)

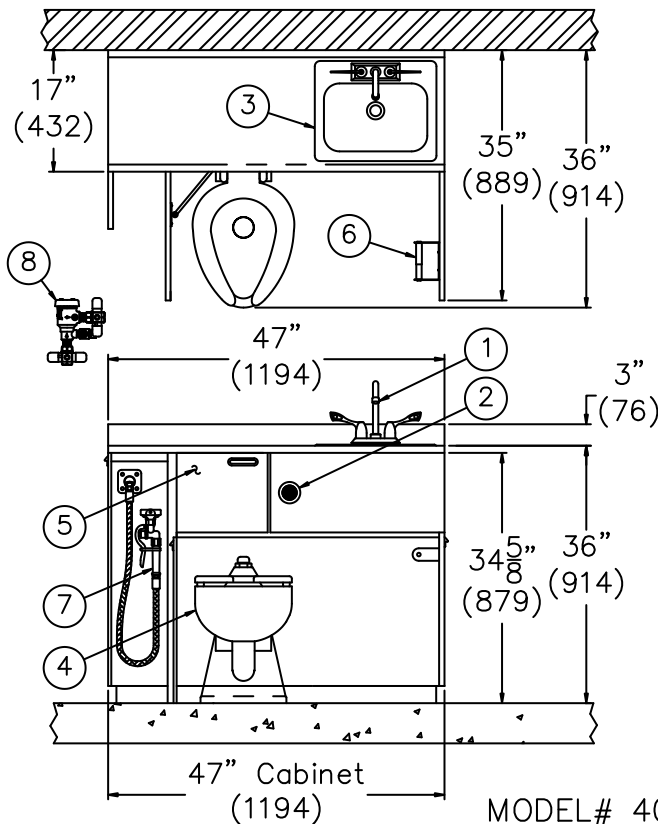
Countertop _____

Cabinet _____

Product Options

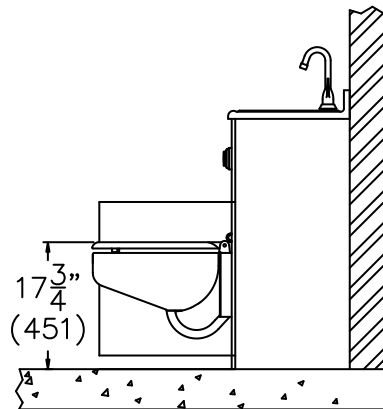
- AE Aerator (on Gooseneck Spout)
- BAT Battery Operated (-SO)
- BL Bedpan Lugs
- BWD Bedpan Washer Drain
- CCT Corterra™ Countertop. Specify Color: _____
- CS Stainless Steel Countertop with Integral Lavatory
- DB Hemo-Dialysis Box (Built-In)
__ (1) Valve __ (2) Valves
- EC Extended Countertop. Specify Length _____
- EG Enviro-Glaze __ Lavatory __ Toilet.
Specify Color: _____
- EP Exposed Paper Holder
- LCT Less Countertop, Furnish Lavy and Valve
- LCTL Less Countertop and Lavy, Furnish Valve
- LCTV Less Countertop, Lavy and Valve
- LFN Laminar Flow Nozzle
- LS Lavatory Hose Spray
- MT Metal Template
- SO Sensor Operated Valve
- SS Storage Shelf
- SUG Swing Up Grab Bar
- VF Concealed H & C Foot Pedal Operated Air-Control Valve

Please visit www.acorneng.com for most current specifications.



NOTES:

1. Lavatory Gooseneck Faucet.
2. Flush Valve Pushbutton.
3. Stainless Steel Lavatory.
4. Stainless Steel Toilet.
5. Storage Compartment.
6. Toilet Tissue Holder.
7. Bedpan Washer Compartment.
8. Elevated Vacuum Breaker (By Others).



MODEL# 4030/4032/4035-L-1 Series

<p>Important: Installation instructions and current rough-in are furnished with each fixture. Do not rough in without certified dimensions. Dimensions are subject to manufacturer's tolerance of plus or minus 1/4" and change without notice. Acorn assumes no responsibility for use of void or superseded data. © Copyright 2008 Acorn Engineering Company</p>	
<p style="text-align: center;">Selection Summary</p> <p>Model No. & Option _____</p> <p>Quantity _____</p>	<p style="text-align: center;">Approved for Manufacturing</p> <p>Company _____ Title _____</p> <p>Signature _____ Date _____</p>