



Care-Ware® 4040 Series Versalette™ - 37" Wide



4040-L-1*

Fixture May Show Some Available Options

Please visit www.acorneng.com for most current specifications.

Versalette™ - 37" Wide

Versalette™ features a durable, user friendly design which is both functional and compact. The Versalette™ includes a bedpan washer and vitreous china toilet with a toilet cover that doubles as a bedside seat.

Cabinet surface is high pressure laminate. Specify desired color selection. Interior surfaces are stain-resistant melamine laminate. Corners are rounded with soft edges. Cabinet features a unique angled door which swings open to allow access to the bedpan washer and toilet tissue holder. Cabinet includes a pivoting, padded toilet cover and back rest which doubles as a bedside seat. Seat color selection is determined by factory. Base molding for the cabinet is by others.

Countertop is finished with high pressure laminate and features rounded corners. Specify desired color selection.

Toilet is a wall mounted, siphon jet, white vitreous china style and features an elongated bowl, 1.6 Gallons Per Flush and self-sustaining white hinged seat. Required wall carrier is by others.

Hydraulic Flush Valve is provided for installation within the wall and includes an access panel to allow for service. Minimum required flow pressure is 25 PSI.

Bedpan Washer is concealed within cabinet and includes a hand-held bedpan washer with volume control, positive shut-off and stainless steel hose. An elevated pressure type vacuum breaker by others is recommended with this feature to prevent back-siphonage or backflow occurring and possibly contaminating the water supply. Consult local codes and ordinances for requirements.

GUIDE SPECIFICATION

Acorn 37" wide Versalette™ (specify model number and options). Cabinet surface to be high pressure laminate. Base molding by others. Countertop finished with high pressure laminate. Includes pivoting padded seat cover with back rest, hydraulic flush valve, access panel and toilet tissue holder. Wall mounted, elongated, white vitreous china toilet bowl with 1.6 GPF and self-sustaining hinged seat. Wall carrier by others. Concealed bedpan washer cabinet shall include a hand-held bedpan washer with positive shut-off and stainless steel hose.

* Patent applied for



Care-Ware®: 4040 Versalette™ - 37" Wide

MODEL NUMBER AND OPTIONS SELECTION

BASE MODEL NUMBER (Must Specify)

-4040 Versalette™ - 37" Wide

TOILET ORIENTATION (Must Specify)

- L Left Hand Toilet
 -R Right Hand Toilet

BACKSPLASH ORIENTATION (Must Specify)

- 1 Back Wall Only (One Wall)
 -2 Right Hand Corner (Two Wall)
 -3 Left Hand Corner (Two Wall)
 -4 Alcove (Three Wall)

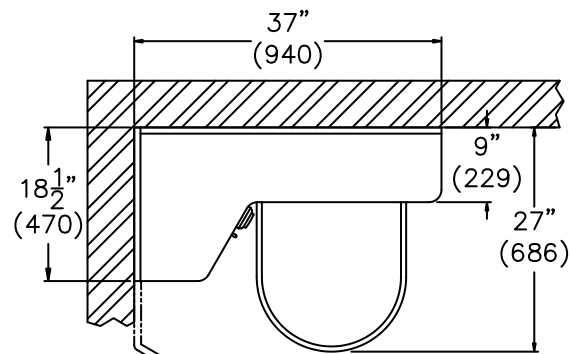
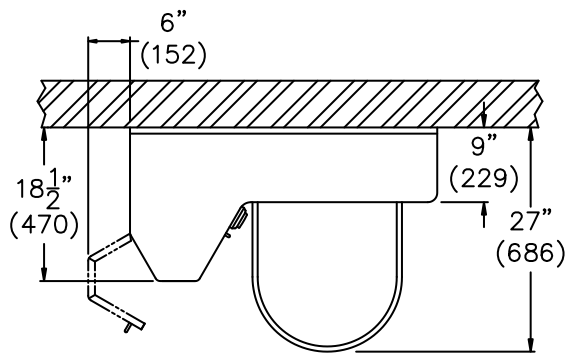
COLOR SELECTION (Must Specify)

Countertop _____
 Cabinet _____

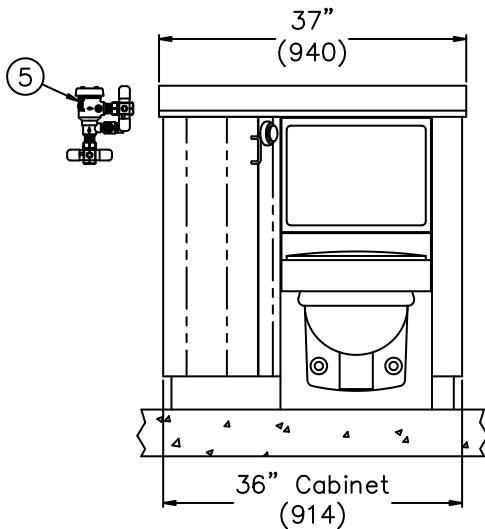
Product Options

- BL Bedpan Lugs
 -CCT Corterra™ Countertop.
 Specify Color: _____
 -CS Stainless Steel Countertop
 -DB Hemo-Dialysis Box
 (Built-In) ___ (1) Valve ___ (2) Valves
 -EC Extended Countertop.
 Specify Length _____
 -EG Enviro-Glaze ___ (-SST) Toilet.
 Specify: _____
 -LCTLV Less Countertop
 -MT Metal Template
 -SST Stainless Steel Toilet ___ Off-Floor ___ On-Floor
 -SUG Swing Up Grab Bar

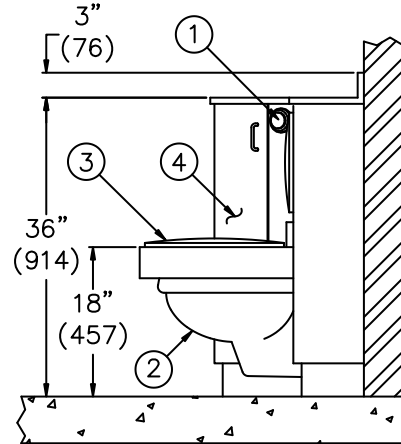
Please visit www.acorneng.com for most current specifications.



MODEL# 4040-R-3



MODEL# 4040-R-1



NOTES:

1. Flush Valve Pushbutton.
 2. White China Toilet.
 3. Pivoting Padded Toilet Cover.
 4. Bedpan Washer Compartment.
 5. Elevated Vacuum Breaker (By Others).

<p>Important: Installation instructions and current rough-in are furnished with each fixture. Do not rough in without certified dimensions. Dimensions are subject to manufacturer's tolerance of plus or minus 1/4" and change without notice. Acorn assumes no responsibility for use of void or superseded data. © Copyright 2006 Acorn Engineering Company</p>	
<p style="text-align: center;">Selection Summary</p> <p>Model No. & Option _____</p> <p>Quantity _____</p>	<p style="text-align: center;">Approved for Manufacturing</p> <p>Company _____ Title _____</p> <p>Signature _____ Date _____</p>