



Care-Ware® 4044 Series

Versalette™ - 47" Wide with Rectangular Lavy



4044-L-1*

Fixture May Show Some Available Options

Please visit www.acorneng.com for most current specifications.

Versalette™ - 47" Wide with Rectangular Lavy

Versalette™ features a durable, user friendly design which is both functional and compact. The Versalette™ includes a large stainless steel sink, bedpan washer and vitreous china toilet with a toilet cover that doubles as a bedside seat.

Cabinet surface is high pressure laminate. Specify desired color selection. Interior surfaces are stain-resistant melamine laminate. Corners are rounded with soft edges. Cabinet features a unique angled door which swings open to allow access to the bedpan washer and toilet tissue holder and a separate access door for plumbing access and storage. Cabinet includes a pivoting, padded toilet cover and back rest which doubles as a bedside seat. Seat color selection is determined by factory. Base molding for the cabinet is by others.

Countertop is finished with high pressure laminate and features rounded corners. Specify desired color selection.

Lavatory is heavy gage, type 304 stainless steel with rim and rectangular bowl. Bowl measures 14-1/2" x 9-1/2" x 6" deep. A chrome-plated grid strainer, tailpiece and 1-1/2" P-trap are provided.

Hot and Cold Mixing Faucet includes wristblade handles and a gooseneck spout.

Toilet is a wall mounted, siphon jet, white vitreous china style and features an elongated bowl, 1.6 Gallons Per Flush and self-sustaining white hinged seat. Required wall carrier is by others.

Hydraulic Flush Valve is provided for installation within the wall and includes an access panel to allow for service. Minimum required flow pressure is 25 PSI.

Bedpan Washer is concealed within cabinet and includes a hand-held bedpan washer with volume control, positive shut-off and stainless steel hose. **An elevated pressure type vacuum breaker by others is recommended with this feature to prevent back-siphonage or backflow occurring and possibly contaminating the water supply. Consult local codes and ordinances for requirements.**

GUIDE SPECIFICATION

Acorn 47" wide Versalette™ (specify model number and options). Cabinet surface to be high pressure laminate. Base molding by others. Countertop finished with high pressure laminate. Includes pivoting padded seat cover with back rest, hydraulic flush valve, access panel and toilet tissue holder. Wall mounted, elongated, white vitreous china toilet bowl with 1.6 GPF and self-sustaining hinged seat. Wall carrier by others. Stainless steel rectangular lavy. Concealed bedpan washer cabinet shall include a hand-held bedpan washer with positive shut-off and stainless steel hose.

* Patent applied for

Care-Ware® 4044: Versalette™ - 47" Wide with Rectangular Lavy



MODEL NUMBER AND OPTIONS SELECTION

BASE MODEL NUMBER (Must Specify)

- 4044 Versalette™ - 47" Wide With Rectangular Lavy

TOILET ORIENTATION (Must Specify)

- L Left Hand Toilet
- R Right Hand Toilet

BACKSPLASH ORIENTATION (Must Specify)

- 1 Back Wall Only (One Wall)
- 2 Right Hand Corner (Two Wall)
- 3 Left Hand Corner (Two Wall)
- 4 Alcove (Three Wall)

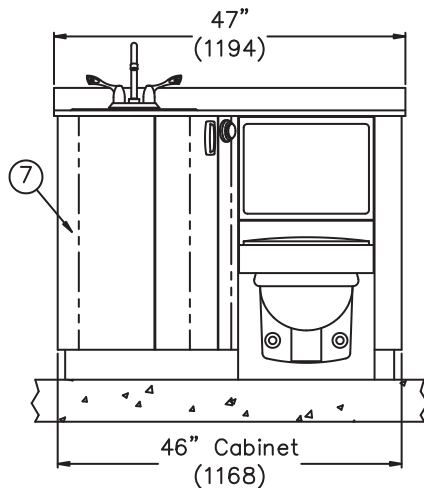
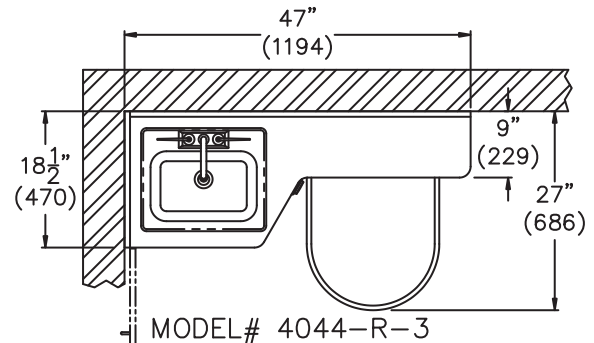
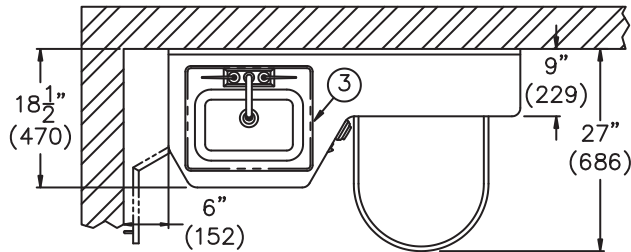
COLOR SELECTION (Must Specify)

Countertop _____
Cabinet _____

Product Options

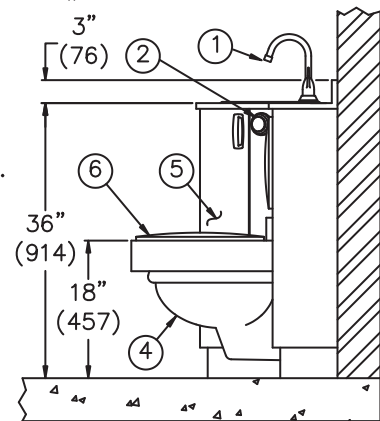
- AE Aerator (on Gooseneck Spout)
- BAT-SO Battery Operated (-SO)
- BL Bedpan Lugs
- BWD Bedpan Washer Drain
- CCL Corterra™ Countertop w/ Integral Lavy
- CCT Corterra™ Countertop
Specify Color: _____
- CNCT Corian™ Countertop w/ Stn. Steel Lavy
- CNCTL Corian™ Countertop w/ Integral
Contrasting Colored Lavy Bowl
- CS Stainless Steel Countertop
- DB Hemo-Dialysis Box
(Built-In) ___ (1) Valve ___ (2) Valves
- EC Extended Countertop
Specify Length _____
- EG Enviro-Glaze ___ Lavy ___
Toilet Exterior Only ___ Toilet Int.
Specify: _____
- IVB In-Line Vacuum Breaker
- LCT Less Countertop, Furnish Lavy & Valve
- LCTL Less Countertop & Lavy, Furnish Valve
- LCTLV Less Countertop, Lavy & Valve
- LFN Laminar Flow Nozzle
- LS Lavatory Hose Spray
- LV Less Valve, Furnish Countertop & Lavy
- MT Metal Template
- SO Sensor Operated Valve
- SST Stn. Steel Toilet ___ Off-Floor ___ On-Floor
- SUG Swing Up Grab Bar
- VF Concealed H & C Foot Pedal Operated
Air-Control Valve
- WO3 Waste Outlet 3" in Lieu of Standard 2-3/8"

Please visit www.acorneng.com for most current specifications.



NOTES:

1. Lavatory Gooseneck Faucet.
2. Flush Valve Pushbutton.
3. Stainless Steel Lavatory.
4. White China Toilet.
5. Bedpan Washer Compartment.
6. Pivoting Padded Toilet Cover.
7. Storage Compartment.



MODEL# 4044-R-1

Important: Installation instructions and current rough-in are furnished with each fixture. Do not rough in without certified dimensions. Dimensions are subject to manufacturer's tolerance of plus or minus 1/4" and change without notice. Acorn assumes no responsibility for use of void or superseded data. © Copyright 2008 Acorn Engineering Company	
<p style="text-align: center;">Selection Summary</p> Model No. & Option _____ Quantity _____	<p style="text-align: center;">Approved for Manufacturing</p> Company _____ Title _____ Signature _____ Date _____