



## Care-Ware® 4049 Series Versalette™ 47" Wide



4049-R

Fixture May Show Some Available Options

Please visit [www.acorneng.com](http://www.acorneng.com) for most current specifications.

### Versalette™ 47" Wide

**Versalette™** features a durable, user friendly design which is both functional and compact. The Versalette™ includes a stainless steel basin, bedpan washer, stainless steel toilet and padded toilet cover that doubles as a bedside seat.

**Cabinet** surface is high pressure laminate. Specify desired color selection. Interior surfaces are stain-resistant melamine laminate. Cabinet doors provide access to the bedpan washer, single valve dialysis box and separate panel for plumbing access. Cabinet includes a pivoting, padded toilet cover and back rest which doubles as a bedside seat. Seat color selection is determined by factory. Cabinet features a heavy duty stainless steel modular frame and includes stainless steel bottom kick plates.

**Countertop** is constructed of Corterra™ cast polyester resin. Specify desired color selection.

**Lavatory Basin** is a 16" Diameter x 5" Deep, "D" Shaped Self-Rimming Bowl fabricated of heavy gage, type 304 stainless steel. A chrome-plated grid strainer, tailpiece and 1-1/2" P-trap are provided.

**Hot and Cold Mixing Faucet** includes wrist blade handles and a gooseneck spout.

**Toilet** is a floor mounted, elongated, stainless steel, blowout jet type bowl and includes a self-sustaining white hinged seat. Toilet is capable of withstanding 5,000 pound load without sustaining permanent damage.

**Hydraulic Flush Valve** is provided for installation within cabinet and unit includes a service access panel. Minimum required flow pressure is 35 PSI.

**Bedpan Washer** is concealed within cabinet and includes a hand-held bedpan washer with volume control, positive shut-off and stainless steel hose. Consult local codes and ordinances for requirements: Elevated pressure type vacuum breakers are often recommended with this feature to prevent back-siphonage or backflow occurring and possibly contaminating the water supply.

### GUIDE SPECIFICATION

Acorn Versalette™ (specify model number and options). Cabinet shall include heavy duty modular stainless steel frame with exterior panels made of high density wood core. Cabinet surface to be high pressure laminate and interior surfaces to be melamine. Countertop to be constructed of Corterra™ cast polyester resin (with aluminum trihydrate and other fillers). Specify color. Provide pivoting padded seat cover with back rest, plumbing access and toilet tissue holder. Provide floor mounted, elongated, stainless steel toilet bowl with 1.6 GPF and self-sustaining hinged seat complete with hydraulic flush valve and push button. Provide stainless steel basin. Concealed bedpan washer cabinet shall include a hand-held bedpan washer with positive shut-off and stainless steel hose.

# Care-Ware® 4049: Versalette™ - 47" Wide



## MODEL NUMBER AND OPTIONS SELECTION

### BASE MODEL NUMBER (Must Specify)

4049 Versalette™ - 47" Wide

### TOILET ORIENTATION (Must Specify)

- L Left Hand Toilet
- R Right Hand Toilet

### TOILET WASTE (Must Specify)

- Off-Floor, Wall Outlet
- On-Floor, Wall Outlet
- On-Floor, Floor Outlet

### BACKSPLASH ORIENTATION (Must Specify)

- 1 Back Wall Only (One Wall)
- 2 Right Hand Corner (Two Wall)
- 3 Left Hand Corner (Two Wall)
- 4 Right & Left Hand Corner (Three Wall)

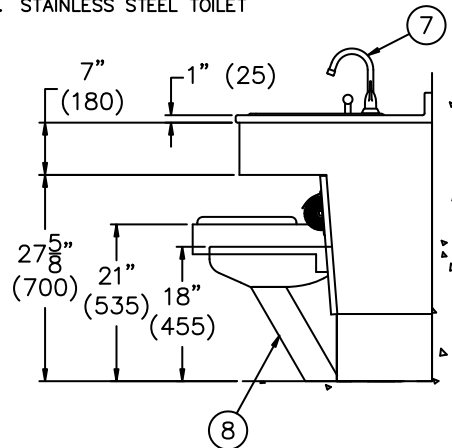
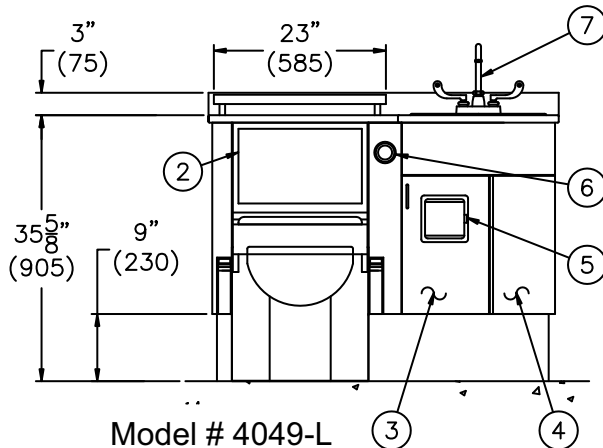
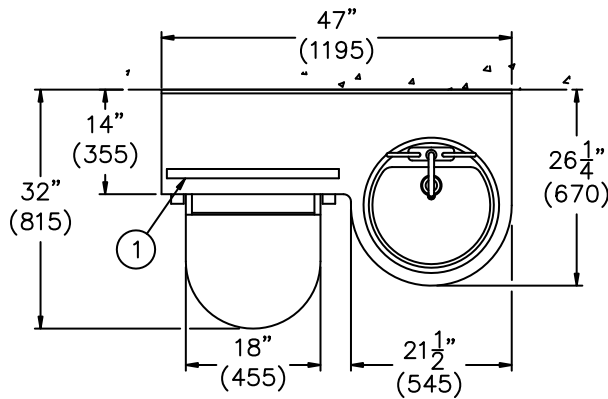
### COLOR SELECTION (Must Specify)

Countertop \_\_\_\_\_  
Cabinet \_\_\_\_\_

## Product Options

- AE Aerator (on Gooseneck Spout)
- BAT Battery Operated (-SO)
- BL Bedpan Lugs
- CCL Corterra Countertop w/ Integral Corterra Lavy
- CNCT Corian Countertop w/ Stainless Steel Lavy
- CNCTL Corian Countertop w/ Integral Corian Lavy
- CS Stainless Steel Countertop
- DB1 Hemo-Dialysis Box, Single Valve
- DB2 Hemo-Dialysis Box, Dual Valve
- EC Extended Countertop
- EG Enviro-Glaze \_\_Basin, \_\_ -SST Toilet.  
Specify Color: \_\_\_\_\_
- GB 23" Grab Bar
- LCT Less Countertop, with Lavy & Valve
- LCTL Less Countertop & Lavy with Valve
- LCTLV Less Countertop, Lavy & Valve
- LFN Laminar Flow Nozzle
- LLV Less Lavy & Valve with Countertop
- LS Lavatory Hose Spray
- MT Metal Template
- SF Special Finish
- SO Sensor Operated Valve
- SS Storage Shelf
- SUG Swing Up Grab Bar
- WO3 Waste Outlet 3" OD  
in Lieu of Standard 2-3/8" OD
- VF Concealed Hot & Cold  
Foot Pedal Operated Air-Control Valve

Please visit [www.acorneng.com](http://www.acorneng.com)  
for most current specifications.



- NOTES:
1. OPTIONAL 23" GRAB BAR SHOWN.
  2. REMOVABLE PADDED HINGED SEAT COVER
  3. -DB HEMO DIALYSIS COMPARTMENT
  4. BEDPAN WASHER COMPARTMENT
  5. PAPER HOLDER
  6. BEDPAN WASHER COMPARTMENT
  7. PAPER HOLDER
  8. FLUSH VALVE PUSHBUTTON
  9. GOOSENECK SPOUT w/ WRIST BLADE HANDLES
  10. STAINLESS STEEL TOILET

|   |  |
|---|--|
| <p><b>Important:</b> Installation instructions and current rough-in are furnished with each fixture. Do not rough in without certified dimensions.<br/>Dimensions are subject to manufacturer's tolerance of plus or minus 1/4" and change without notice. Acorn assumes no responsibility for use of void or superseded data. © Copyright 2008 Acorn Engineering Company</p> |  |
| <p style="text-align: center;">Selection Summary</p> <p>Model No. &amp; Option _____</p> <p>Quantity _____</p>  | <p style="text-align: center;">Approved for Manufacturing</p> <p>Company _____ Title _____</p> <p>Signature _____ Date _____</p> |