



## Care-Ware® 4050 Series

Swingette Wall/Floor Outlet Models



4050-R

Fixture May Show Some Available Options

Please visit [www.acorneng.com](http://www.acorneng.com) for most current specifications.

### Swingette Wall/Floor Outlet Models

**Cabinet** consists of a stationary wall section and a hinged lavatory section which conceals the toilet. A latch is provided to lock the lavatory cabinet in the open or closed position. Cabinet frame requires floor and wall anchoring. The wall section has a front access panel and a removable top for easy installation and maintenance. Exterior of cabinet is vinylclad aluminum. Specify cabinet color selection. Cabinet has a built-in toilet paper holder.

**Counter** is regularly furnished with high pressure laminate. Specify counter color selection.

**Lavatory** is heavy gage, type 304 stainless steel, self-rimmed, furnished with P-trap and is factory installed in counter.

**Lavatory Valve** is a deck-mounted, hot and cold mixing valve with wrist blade handles and a 10" rigid gooseneck.

**Toilet** is stainless steel, blowout jet type, with an elongated sanitary bowl, white plastic seat and a self-sustaining check hinge. Toilet operates with a 1.6 GPF flush valve and will withstand a 5,000 pound load without permanent damage.

**Flush Valve** is furnished standard, and requires a minimum of 25 PSI flow pressure.

#### GUIDE SPECIFICATION

Provide and install Acorn Swingette (specify model number and options). Cabinet frame shall consist of a stationary wall section and a hinged lavatory section which have an arc welded heavy aluminum frame with exposed parts white Enviro-Glaze coated. Exterior of cabinet shall be vinylclad aluminum. A latch shall be provided, which locks the lavatory cabinet in the open or closed position. Provide factory installed toilet paper holder, flush valve, and secured stainless steel panel for access to valves and piping. Cabinet shall provide front toe space. Counter shall be high pressure laminate. Lavatory shall be heavy gage, type 304 stainless steel, self-rimmed, oval type, 9-1/2" x 14-1/2" x 6" deep. P-trap shall be furnished. Toilet shall be stainless steel, blowout jet type with elongated bowl. Trap shall pass a 2-1/8" ball. Toilet shall withstand loadings of 5,000 pounds without permanent damage. Provide factory installed white seat and pushbutton operated flush valve with vacuum breaker and checkstop. Toilet to flush with a 1.6 GPF flush valve.



# Care-Ware®: 4050 Swingette Wall/Floor Outlet Models

## MODEL NUMBER AND OPTIONS SELECTION

### BASE MODEL NUMBER (Must Specify)

- 4050 Swingette, Wall Waste Outlet
- 4055 Swingette, Floor Waste Outlet

### LEFT OR RIGHT HAND TOILET ORIENTATION (Must Specify)

- L Left
- R Right

L (left) or R (right) indicates cabinet location in opened position when facing the fixture.

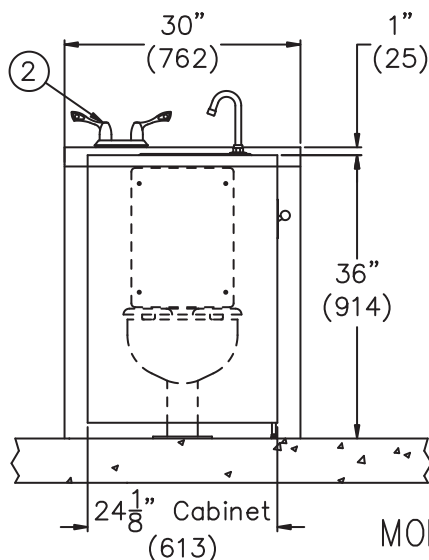
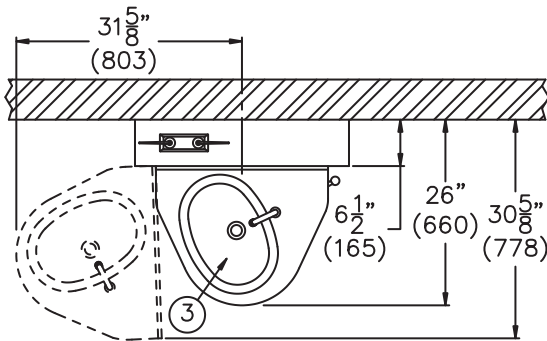
### COLOR SELECTION (Must Specify)

Countertop Finish \_\_\_\_\_  
Cabinet Finish \_\_\_\_\_

## Product Options

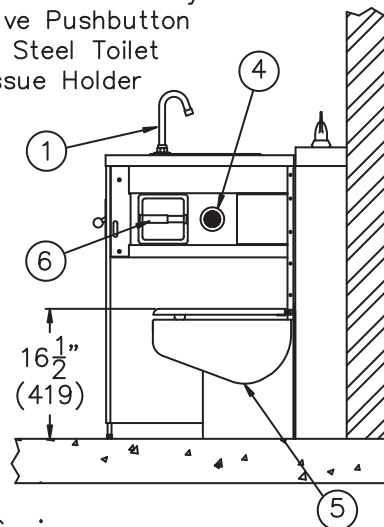
- AE Aerator (on Gooseneck Spout)
- BAT-SO Battery Operated (-SO)
- BL Bedpan Lugs
- BW Bedpan Flusher (extended cabinet width & depth)
- CCL Corterra™ Countertop w/ Integral Lavy
- CCT Corterra™ Countertop  
Specify Color: \_\_\_\_\_
- CNCT Corian™ Countertop w/ Stn. Steel Lavy
- CNCTL Corian™ Countertop w/ Integral Contrasting Colored Lavy Bowl
- CS Stn. Steel Countertop w/ Integral Lavy
- DB1 Hemo-Dialysis Box, Single Valve
- DB2 Hemo-Dialysis Box, Dual Valve
- EG Enviro-Glaze \_\_\_ Lavy  
\_\_\_ Toilet Exterior Only \_\_\_ Toilet Int.  
Specify Color: \_\_\_\_\_
- FCI Flush Cycle Interrupt
- IVB In-Line Vacuum Breaker on Bedpan Washer
- LCT Less Countertop, Furnish Lavy & Valve
- LCTL Less Countertop & Lavy, Furnish Valve
- LCTLV Less Countertop, Lavy & Valve
- LFN Laminar Flow Nozzle
- LLV Less Lavy and Valve, Furnish Countertop
- LS Lavatory Hose Spray
- LV Less Valve, Furnish Countertop & Lavy
- MT Metal Template
- SF Special Finish Specify Color: \_\_\_\_\_
- SO Sensor Operated Valve
- VF Concealed H & C Foot Pedal Operated Air-Control Valve
- WO3 Waste Outlet 3" OD in Lieu of Standard 2-3/8" OD

Please visit [www.acorneng.com](http://www.acorneng.com) for most current specifications.



## NOTES:

1. Lavatory Gooseneck Faucet
2. Lavy Valve w/ Wristblade Handles
3. Stainless Steel Lavatory
4. Flush Valve Pushbutton
5. Stainless Steel Toilet
6. Toilet Tissue Holder



MODEL# 4050/4055-L Series

<b>Important:</b> Installation instructions and current rough-in are furnished with each fixture. Do not rough in without certified dimensions. Dimensions are subject to manufacturer's tolerance of plus or minus 1/4" and change without notice. Acorn assumes no responsibility for use of void or superseded data. © Copyright 2006 Acorn Engineering Company	
<p style="text-align: center;"><b>Selection Summary</b></p> <p>Model No. &amp; Option _____</p> <p>Quantity _____</p>	<p style="text-align: center;"><b>Approved for Manufacturing</b></p> <p>Company _____ Title _____</p> <p>Signature _____ Date _____</p>