



## Care-Ware® 4060 Series

Modulette Wall/ Floor Outlet Models



4060-L

Fixture May Show Some Available Options

Please visit [www.acorneng.com](http://www.acorneng.com) for most current specifications.

### Modulette Wall/ Floor Outlet Models

**Cabinet** includes a stationary water closet and lavatory station. This unit is designed for new installations or to retrofit existing modular units. Cabinet exterior surfaces are high pressure laminate. Specify cabinet color selection. Interior surfaces are stain-resistant melamine laminate and stainless steel. Hinged laminated side panels provide access for all connections, mounting and maintenance. Cabinet includes a built-in hooded toilet tissue holder.

**Counter** has a 2" high backsplash. Surface is high pressure laminate. Specify counter color selection.

**Lavatory** is self-rimmed, heavy gage, stainless steel furnished with P-trap and wall flange. Lavatory is always opposite the toilet.

**Lavatory Valve** is a deck-mounted, hot and cold mixing valve with wrist blade handles and a 10" rigid gooseneck.

**Toilet** is stainless steel, blowout jet type, with an elongated sanitary bowl with white plastic seat and cover. Toilet will withstand a 5,000 pound load without permanent damage.

**Flush Valve** is furnished with a 1-3/4" diameter, hydraulically actuated pushbutton. Flush valve requires a minimum of 25 PSI flow pressure.

**Suffix Option -RT, Roll Away Toilet Cover** conceals toilet bowl and saves additional space by providing a convenient seat when toilet is not in use.

#### GUIDE SPECIFICATION

Provide and install Acorn Modulette (specify model number and options). Cabinet frame shall be welded type 304 stainless steel, and shall not require wall support. Cabinet shall be high pressure laminate. Cabinet shall include built-in hooded toilet tissue holder and hinged laminated side panels to provide access for mounting and plumbing connections. Counter shall be high pressure laminate with a 2" backsplash. Lavatory bowl shall be heavy gage, stainless steel, self-rimmed, rectangular type, 9-1/2" x 14-1/2" x 6" deep. P-trap shall be furnished. Toilet shall be stainless steel, blowout jet type with elongated bowl. Trap shall pass a 2-1/8" ball. Toilet shall withstand loadings of 5,000 pounds without permanent damage. Provide factory installed white plastic seat with cover.



# Care-Ware®: 4060 Modulette Wall/ Floor Outlet Models

## MODEL NUMBER AND OPTIONS SELECTION

### BASE MODEL NUMBER (Must Specify)

- 4060 Modulette, Wall Waste Outlet
- 4065 Modulette, Floor Waste Outlet

### TOILET ORIENTATION (Must Specify)

- L Left Hand Toilet
- R Right Hand Toilet

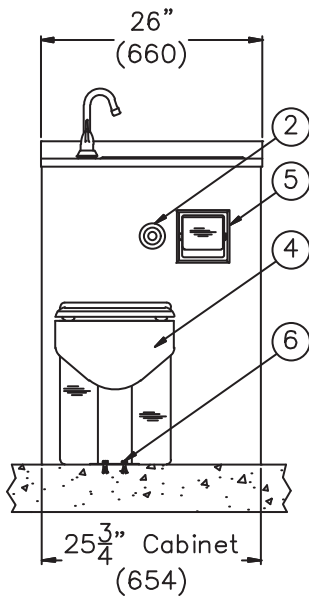
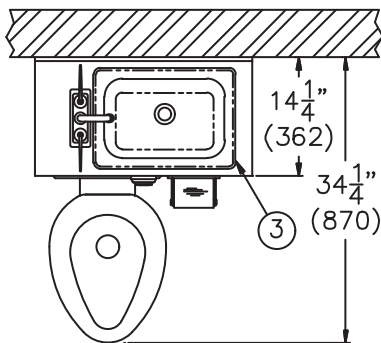
### Notes:

L (left) or R (right) indicates toilet location when facing the fixture.  
Lavatory is always located on side opposite the toilet.

### COLOR SELECTION (Must Specify)

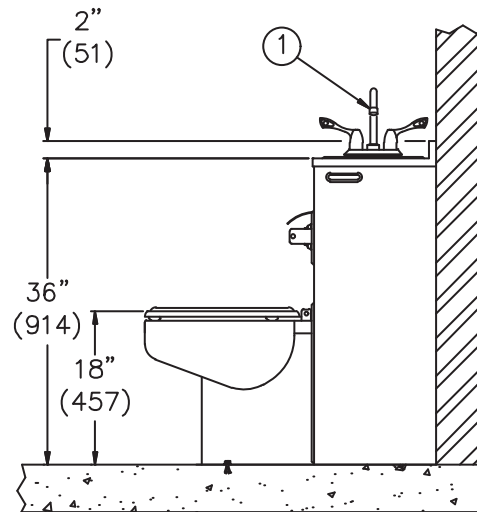
Countertop Finish \_\_\_\_\_  
Cabinet Finish \_\_\_\_\_

Please visit [www.acorneng.com](http://www.acorneng.com) for most current specifications.



### Product Options

- AE Aerator (on Gooseneck Spout)
- BAT-SO Battery Operated (-SO)
- BL Bedpan Lugs
- CCL Corterra™ Countertop w/ Integral Lavy
- CNCT Corian™ Countertop w/ Stn. Steel Lavy
- CNCTL Corian™ Countertop w/ Integral Contrasting Colored Lavy Bowl
- CCT Corterra™ Countertop  
Specify Color: \_\_\_\_\_
- CS Stn. Steel Countertop w/ Integral Lavy  
Ext. Countertop Specify Length \_\_\_\_\_
- EG Enviro-Glaze \_\_ Lavy \_\_ Cabinet Int.  
\_\_ Toilet Exterior Only \_\_ Toilet Int.  
Specify Color: \_\_\_\_\_
- LCT Less Countertop, Furnish Lavy & Valve
- LCTL Less Countertop & Lavy Furnish Valve
- LCTLV Less Countertop, Lavy & Valve
- LFN Laminar Flow Nozzle
- LLV Less Valve & Lavy, Furnish Countertop
- LS Lavatory Hose Spray
- LV Less Valve, Furnish Countertop & Lavy
- MT Metal Template
- RT Roll Away Toilet Cover
- SF Special Finish Specify Color: \_\_\_\_\_
- SO Sensor Operated Valve
- VF Concealed H & C Foot Pedal Operated Air-Control Valve
- W03 Waste Outlet 3" OD in Lieu of Standard 2-3/8"



### NOTES:

1. Lavatory Gooseneck Faucet.
2. Flush Valve Pushbutton.
3. Stainless Steel Lavatory.
4. Stainless Steel Toilet.
5. Toilet Tissue Holder.
6. Floor Anchors.

## MODEL# 4060/4065-L Series

<b>Important:</b> Installation instructions and current rough-in are furnished with each fixture. Do not rough in without certified dimensions. Dimensions are subject to manufacturer's tolerance of plus or minus 1/4" and change without notice. Acorn assumes no responsibility for use of void or superseded data. © Copyright 2006 Acorn Engineering Company	
<p style="text-align: center;">Selection Summary</p> <p>Model No. &amp; Option _____</p> <p>Quantity _____</p>	<p style="text-align: center;">Approved for Manufacturing</p> <p>Company _____ Title _____</p> <p>Signature _____ Date _____</p>