



**1817 Series**  
Integral Frame Mirror



1817

Fixture May Show Some Available Options

Please visit [www.acorneng.com](http://www.acorneng.com) for most current specifications.

**Integral Frame Mirror**

**The Acorn Integral Frame Mirror** is designed for use in all security areas where Mirrors are subject to breakage. Mirror and integral frame are die formed from a single sheet of type 400 stainless steel polished to a mirror finish.



# Dura-Ware®: 1817 Integral Frame Mirror

## MODEL NUMBER AND OPTIONS SELECTION

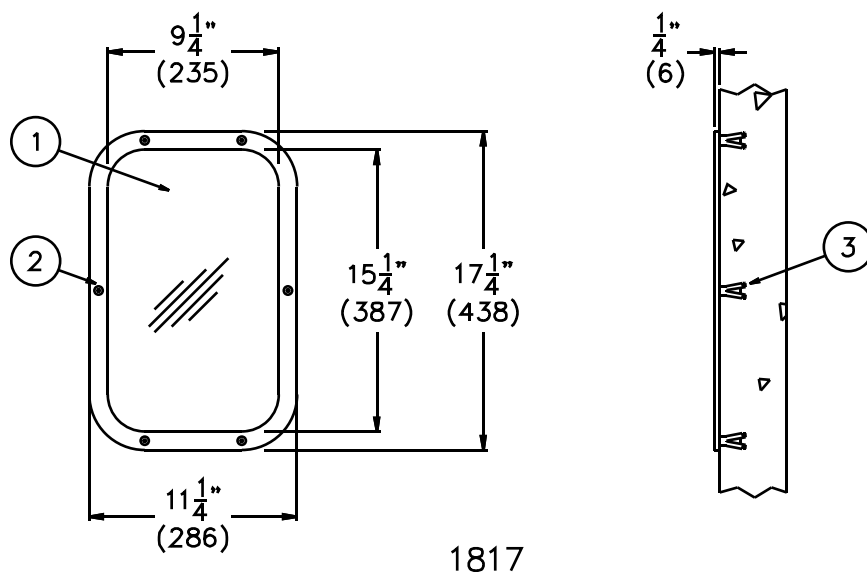
## Product Options

### BASE MODEL NUMBER

- \* None Available

1817 Integral Frame Mirror

Please visit [www.acorneng.com](http://www.acorneng.com) for most current specifications.



1817

### NOTES:

1. Stainless Steel Mirror.
2. Tamper Resistant Screws.
3. Wall Mounting Anchors (By Others).

<p><b>Important:</b> Installation instructions and current rough-in are furnished with each fixture. Do not rough in without certified dimensions. Dimensions are subject to manufacturer's tolerance of plus or minus 1/4" and change without notice. Acorn assumes no responsibility for use of void or superseded data. © Copyright 2003 Acorn Engineering Company</p>	
<p style="text-align: center;">Selection Summary</p> <p>Model No. &amp; Option _____</p> <p>Quantity _____</p>	<p style="text-align: center;">Approved for Manufacturing</p> <p>Company _____ Title _____</p> <p>Signature _____ Date _____</p>