



1828 Series

Auto-Release Clothes Hooks Panel



1828

1830

Fixture May Show Some Available Options

Please visit www.acorneng.com for most current specifications.

Auto-Release Clothes Hooks Panel

Auto-Release Clothes Hooks Panel is recommended for dormitories, shower rooms and rest rooms. Panel is fabricated from type 304 stainless steel and is designed for a tamper-resistant installation.

Acorn's Auto-Release Clothes Hook is designed to support the weight of clothing, towels, etc., but will automatically break away when excessive pressure is applied. Acorn also provides, as an option, an Econo Clothes Hook made of heavy gage, stainless steel and is a vertical break away type hook.

Regularly furnished with both models are 1/4" tamper-resistant screws. Anchor shields are by others.



Dura-Ware®: 1828 Auto-Release Clothes Hooks Panel

MODEL NUMBER AND OPTIONS SELECTION

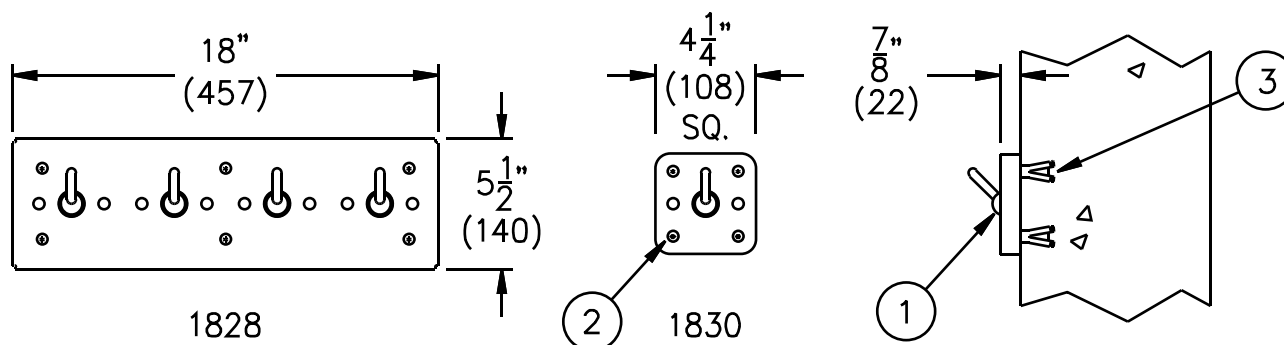
Product Options

BASE MODEL NUMBER

- 1828 Auto-Release Clothes Hooks Panel
- 1830 Auto-Release Clothes Hook

- ECH Econo Clothes Hook

Please visit www.acorneng.com for most current specifications.



NOTES:

1. Auto-Release Clothes Hooks.
2. Tamper Resistant Screws.
3. Wall Mounting Anchors.

<p>Important: Installation instructions and current rough-in are furnished with each fixture. Do not rough in without certified dimensions. Dimensions are subject to manufacturer's tolerance of plus or minus 1/4" and change without notice. Acorn assumes no responsibility for use of void or superseded data. © Copyright 2003 Acorn Engineering Company</p>	
<p style="text-align: center;">Selection Summary</p> <p>Model No. & Option _____</p> <p>Quantity _____</p>	<p style="text-align: center;">Approved for Manufacturing</p> <p>Company _____ Title _____</p> <p>Signature _____ Date _____</p>