



## Dura-Ware® 1840FA Series

Recessed Paper Holder



1840-FA

Fixture May Show Some Available Options

Please visit [www.acorneng.com](http://www.acorneng.com) for most current specifications.

### Recessed Paper Holder

**Acorn Recessed Paper Holder** is die formed from type 304 stainless steel with exposed surfaces polished to a satin finish. Paper Holder is arranged to be installed on finished wall from the front. Wide flange is turned back and trimmed to provide a uniform flat surface, assuring a tight fit on the wall.

When Tissue Holder is mounted on the finished wall, the recommended installation is approximately 18" above the toilet seat, and 12" off of toilet centerline.

**Recessed Paper Holder** has 4 countersunk holes to accept mounting screws. Anchor shields by others.



# Dura-Ware® 1840FA: Recessed Paper Holder

## MODEL NUMBER AND OPTIONS SELECTION

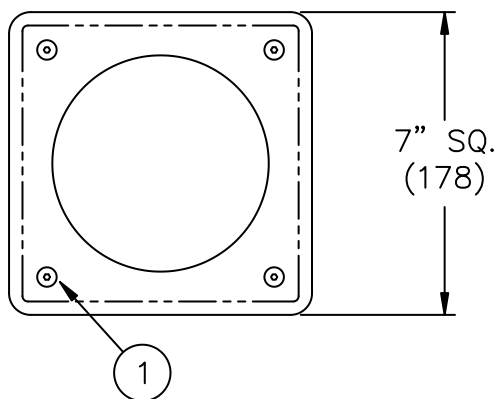
## Product Options

\* None Available

## BASE MODEL NUMBER

1840-FA Recessed Paper Holder

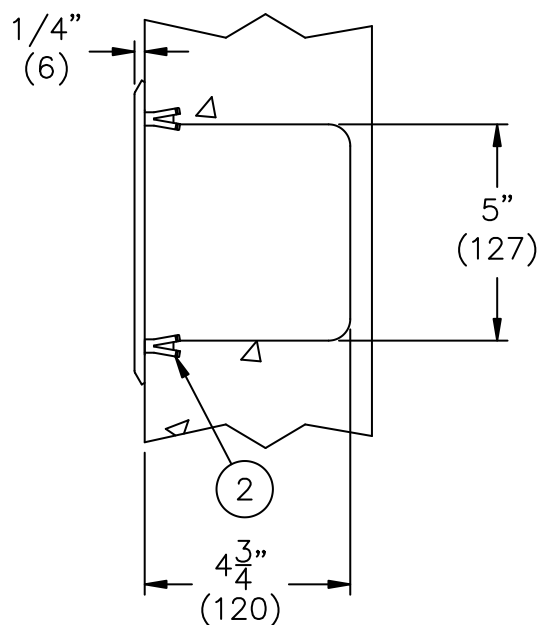
Please visit [www.acorneng.com](http://www.acorneng.com) for most current specifications.



1840-FA

### NOTES:

1. Tamper Resistant Screws.
2. Wall Mounting Anchors (By Others).



<p><b>Important:</b> Installation instructions and current rough-in are furnished with each fixture. Do not rough in without certified dimensions. Dimensions are subject to manufacturer's tolerance of plus or minus 1/4" and change without notice. Acorn assumes no responsibility for use of void or superseded data. © Copyright 2007 Acorn Engineering Company</p>	
<p style="text-align: center;">Selection Summary</p> <p>Model No. &amp; Option _____</p> <p>Quantity _____</p>	<p style="text-align: center;">Approved for Manufacturing</p> <p>Company _____ Title _____</p> <p>Signature _____ Date _____</p>