



Dura-Ware® 1901 Series Self-Rimming Classroom Sink



1901-1-CPF1-DMBCPC

Fixture May Show Some Available Options

Please visit www.acorneng.com for most current specifications.

Self-Rimming Classroom Sink

Dura-Ware self-rimming lavatory is intended for countertop installation. Fixture is fabricated of 16-gage, type 304 stainless steel with exterior exposed surfaces polished to a satin finish. The external bottom surface of bowl is sound deadened with a fire resistant material. Sink mounts to countertop using mounting clamps provided.

Lavatory Bowl is rectangular and measures 14" x 16" x 6" deep. Bowl includes 1-1/2" diameter drain punching to receive optional -GE or -GT grid strainer.

Optional Gooseneck Pantry Spouts are of brass construction with polished chrome finish. ADA compliant lever handle allows ease of operation with a 1/4" turn of the handle. Lavatory optionally available with either single temperature or hot & cold.

Optional Deck Mounted Bubblers are available with flexible or chrome plated brass mouth guard, and an ADA compliant actuator. Both the lever handle and push button control meet the requirements of ADA Accessibility Guidelines, Section 4.27.4. Bubbler features include a self-closing, non-hold metering valve that complies with the lead free requirements of NSF 61, section 9, 1997.

ADA Compliance is subject to options selected, installation; and the interpretation and requirements of the local code authority. Refer to ADA Guidelines for complete installation requirements.

GUIDE SPECIFICATION

Provide and install Acorn Dura-Ware Self-Rimming Classroom Sink (specify model number and options). Fixture shall be fabricated from 16 gage, type 304 stainless steel with exposed exterior surfaces having a satin finish. Fixture shall be furnished with under-counter mounting clamps. Installation shall be made in accordance with manufacturers recommendations and details.



Dura-Ware® 1901: Classroom Sink

MODEL NUMBER AND OPTIONS SELECTION

BASE MODEL NUMBER

1901 Self-Rimming Sink

FIXTURE MOUNTING AND WASTE (Must Specify)

- 1 Off-Floor, Wall Outlet

VALVE SELECTION (Must Specify)

GOOSENECK PANTRY FAUCET

- 9 Without Valves; Specify Punching
- CPF1 Single Temperature Pantry Faucet with Wrist Blade Handle; Faucet ___Left ___Right
- CPF2 Hot & Cold Pantry Faucet with Wrist Blade Handles; Faucet ___Left ___Right

DRINKING BUBBLER (MUST SPECIFY)

- LB Less Bubbler
- DMBCLC Deck Mounted Bubbler with Lever Handle & Chrome Plated Mouth Guard (Opposite Faucet)
- DMBCLF Deck Mounted Bubbler with Lever Handle & Flexible Mouth Guard
- DMBCPC Deck Mounted Bubbler with Pushbutton & Chrome Plated Mouth Guard (Opposite Faucet)
- DMBCPF Deck Mounted Bubbler with Pushbutton & Flexible Mouth Guard (Opposite Faucet)

COUNTERTOP CLAMPING CLIPS

- CTR1 For Counters 1/2" Min. to 15/16" Max.
- CTR2 For Counters 1" Min. to 1-7/16" Max.
- CTR3 For Counters 1-1/2" Min. to 2-1/2" Max.

DECK PUNCHING

Faucet (1-5/16" Diameter Hole Punching)

- H1 Single Hole (Faucet Punching)
 - ___LM Left Middle ___LR Left Rear
 - ___RM Right Middle ___RR Right Rear

- H24 Two Hole, for 4" Centerset
 - ___LH Left Hand ___RH Right Hand

- H28 Two Hole, for 8" Centerset
 - ___LH Left Hand ___RH Right Hand

- H34 Three Hole, for 4" Centerset
 - ___LH Left Hand ___Right Hand

- H38 Three Hole, for 8" Centerset
 - ___LH Left Hand ___Right Hand

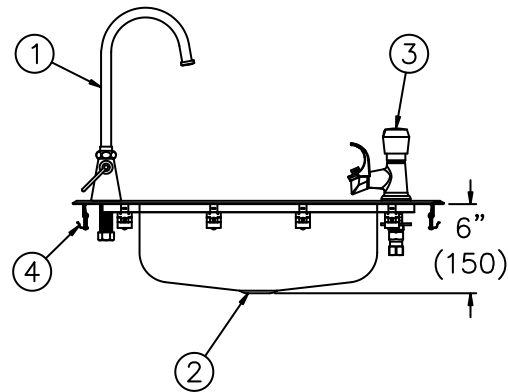
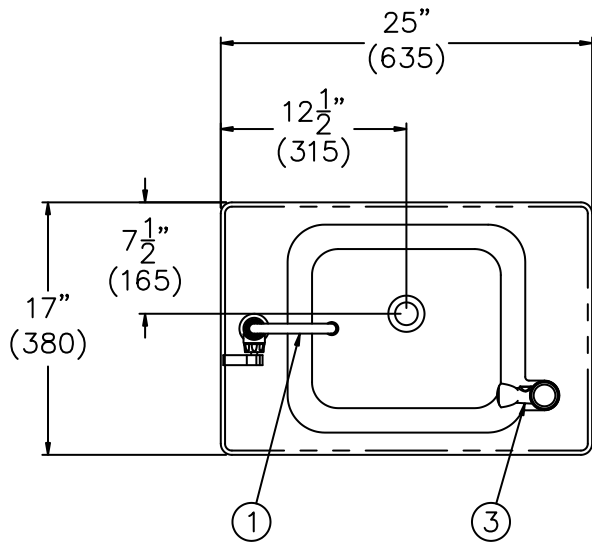
Bubbler (1-1/8" Diameter Hole Punching)

- H1 Single Hole
 - ___Left Front ___Right Front

PRODUCT OPTIONS

- GE Grid Strainer w/Close Elbow 1-1/4"
- GT Grid Strainer w/Tailpiece 1-1/4"

Please visit www.acorneng.com for most current specifications.



Model #1901-1-CPF1-DMBCPF

Notes:

1. Optional Right Side -CPF1 Single Temperature Pantry Faucet w/ Lever Handle.
2. 1-1/2" Drain Punching for Waste Outlet.
3. Optional -DMBCPF Deck Mounted Lever Handle Code Bubbler With Flexible Mouth Guard.
4. Mounting Clamps.

Important: Installation instructions and current rough-in are furnished with each fixture. Do not rough in without certified dimensions. Dimensions are subject to manufacturer's tolerance of plus or minus 1/4" and change without notice. Acorn assumes no responsibility for use of void or superseded data. © Copyright 2008 Acorn Engineering Company	
<p style="text-align: center;">Selection Summary</p> <p>Model No. & Option _____</p> <p>Quantity _____</p>	<p style="text-align: center;">Approved for Manufacturing</p> <p>Company _____ Title _____</p> <p>Signature _____ Date _____</p>