



Dura-Ware® 1950 Series 18" Rectangular Lavatory



1950-1-CSG-GT-TPT

Fixture May Show Some Available Options

Please visit www.acorneng.com for most current specifications.

18" Rectangular Lavatory

Fixture is arranged to be installed on finished wall from the front side. Air-Control valve options require an accessible pipe chase for installation and service. Fixture is fabricated from 16 gage, type 304 stainless steel and is seamless welded construction. Exterior has a satin finish.

Lavatory Rectangular Bowl is 14-1/2" x 9-1/2" x 6" deep. Lavatory deck has an integral self-draining soap dish. Lavatory has a 1-5/8" diameter drain hole to receive optional suffix -GE or -GT grid strainer. Lavatory mounting bracket is furnished.

Available Lavatory Valves:

1. Air-Control pneumatically operated, pushbutton valve using atmospheric air. Pushbutton is vandal-resistant and requires less than 5 pounds to activate valve. Valve is direct acting, non-metering type and is optionally available as metering with non-hold open feature. Metering valve timing is adjustable from 5 to 60 seconds. Valve includes a 2.5 GPM flow control and can be remotely located up to 10 feet from the operating pushbutton. Includes a deck mounted spout.
2. Centerset with gooseneck spout and wristblade handles, Suffix -CSG.
3. Centerset with spout, Suffix -CSS.

Regularly furnished is a lavatory mounting bracket. Mounting screws and anchor shields are furnished by others.

GUIDE SPECIFICATION

Provide and install Acorn Dura-Ware 18" wide Rectangular Lavatory (specify model number and options). Fixture shall be fabricated from 16 gage, type 304 stainless steel. Construction shall be seamless welded. Exterior shall have a satin finish. Lavatory deck shall have an integral air-circulating, self-draining soap dish. Installation shall be made in accordance with manufacturers recommendations and details. Manufacturer shall furnish a wall mounting bracket. Installer shall supply mounting screws and anchor shields.



Dura-Ware® 1950: 18" Rectangular Lavatory

WALL THICKNESS AND TYPE (Must Specify)

Thickness _____ Type _____

MODEL NUMBER AND OPTIONS SELECTION

BASE MODEL NUMBER

1950 18" x 15" Rectangular Lavatory

FIXTURE MOUNTING AND WASTE (Must Specify)

- 1 Off-Floor, Wall Outlet

SPOUT SELECTION (Must Specify)

- CSG Centerset with Gooseneck Spout and Wrist Blade Handles
- CSS Centerset with Spout
- DMS Deck Mounted Spout

VALVE SELECTION (Must Specify)

- 3 Air-Control, Single Temperature
- 4 Air-Control, H & C
- 9 Without Valves
(Standard Punching is (3) 1-5/16" Diameter Holes for 4" Centers)
- EVS1 Electronic Valve System - Single Temp
- EVS2 Electronic Valve System - Hot & Cold
- MVC1 Time-Trol - Single Temp
- MVC2 Time-Trol - Hot & Cold

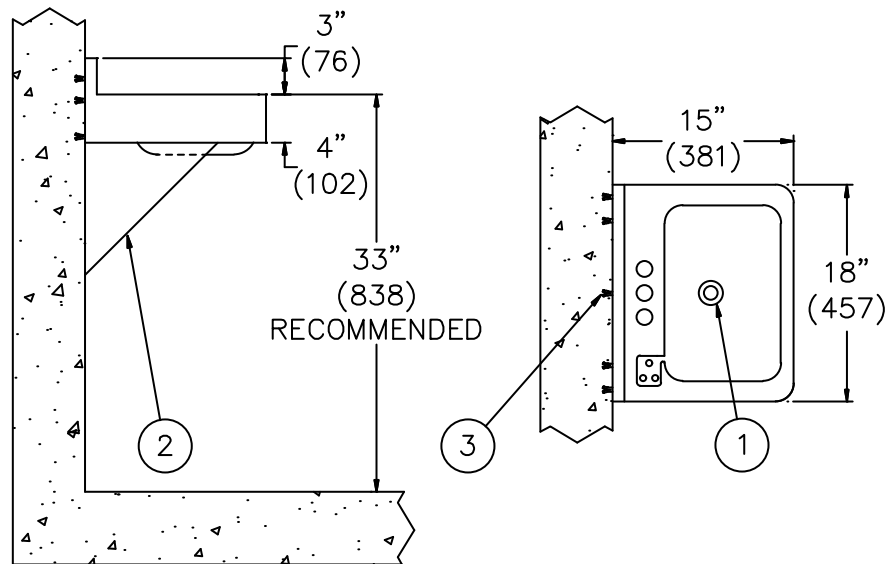
DECK PUNCHING

- H1 Single Hole Centered
- H24 Two Holes 4" Centered
- H28 Two Holes 8" Centered
- H38 Three Holes 8" Centerset

Product Options

- AB Angle Braces
- EE Elbow Enclosure
- EG Enviro-Glaze Color, Specify: _____
- FG 14 Gage Housing
- GE Grid Strainer w/Close Elbow 1-1/4"
- GT Grid Strainer w/Tailpiece 1-1/4"
- IS Integral Shelf
- M Metering
- MA Manifolded Valve __2
- MH Metering Hot Side Only
- OF Lavatory Overflow
- TE Trap Enclosure
- TPT Tubular P-Trap 1-1/4" x 1-1/2"

Please visit www.acorneng.com for most current specifications.



1950-1-9-AB

NOTES:

1. Lavatory Drain Hole.
2. Optional -AB Angle Braces.
3. Wall Mounting Anchors (By Others).

Important: Installation instructions and current rough-in are furnished with each fixture. Do not rough in without certified dimensions. Dimensions are subject to manufacturer's tolerance of plus or minus 1/4" and change without notice. Acorn assumes no responsibility for use of void or superseded data. © Copyright 2008 Acorn Engineering Company	
<p style="text-align: center;">Selection Summary</p> <p>Model No. & Option _____</p> <p>Quantity _____</p>	<p style="text-align: center;">Approved for Manufacturing</p> <p>Company _____ Title _____</p> <p>Signature _____ Date _____</p>