



Dura-Ware® 1953LC Series

20" Lavatory - ADA Compliant



1953LC-ADA-1-DMS-4-GT-TPT

Fixture May Show Some Available Options

Please visit www.acorneng.com for most current specifications.

20" Lavatory - ADA Compliant

Fixture is arranged to be installed on a finished wall from the front side utilizing a concealed arm carrier by others. Fixture is fabricated of 16 gage, type 304 stainless steel and is seamless welded construction. Exterior has a satin finish. Unit conforms with ANSI, UFAS, and ADA requirements for accessibility. Compliance is subject to the interpretation and requirements of the local code authority.

Lavatory Rectangular Bowl is 14" x 12" x 5" deep. The deck has an integral, self-draining soap dish. The lavatory has a 1-5/8" diameter drain hole to receive optional suffix -GE or -GT grid strainer.

Lavatory Valves (ADA compliant) available are:

1. Air control pushbutton valves using atmospheric air; metering non-hold open type. Timing is from 5 to 60 seconds. Air control valves can be remotely located up to 10 feet from the operating pushbutton.
2. Electronic valve system using Modular Valve Controller for water metering through precise electronic control of a solenoid valve. Valve timing is from 1 second to 9 minutes. Modular Valve Controller can be remotely located up to 100 feet from the operating pushbutton.
3. Centerset with gooseneck spout and wristblade handles, suffix -CSG.

GUIDE SPECIFICATION

Provide and install an Acorn Dura-Ware, 20" wide ADA Compliant Lavatory (specify model number and options). Fixture shall be fabricated from heavy gage, type 304 stainless steel. Construction shall be seamless welded with a satin finish exterior. Lavatory deck shall have an integral air-circulating, self-draining soap dish. Installer shall provide all wall mounting hardware to include concealed arm carrier. Installation shall be made in accordance with manufacturer's recommendation and details. Units to conform with ANSI, UFAS and ADA requirements for accessibility.



Dura-Ware® 1953LC : 20" Lavatory - ADA Compliant

WALL THICKNESS AND TYPE (Must Specify)

Thickness _____ Type _____

MODEL NUMBER AND OPTIONS SELECTION

BASE MODEL NUMBER

1953LC-ADA 20" x 22" Handicapped Lavatory

FIXTURE MOUNTING AND WASTE (Must Specify)

- 1 Off-Floor, Wall Outlet

BUBBLER OR SPOUT SELECTION (Must Specify)

- CSG Centerset with Gooseneck Spout and Wrist Blade Handles

- DMS Deck Mounted Spout

VALVE SELECTION (Must Specify)

- 3 Air-Control, Single Temperature

- 4 Air-Control, H & C

- 9 Without Valves with -H34 Punching

- EVS1 Electronic Valve System - Single Temp

- EVS2 Electronic Valve System - Hot & Cold

- MVC1 Time-Trol - Single Temp

- MVC2 Time-Trol - Hot & Cold

DECK PUNCHING (Punching Diameter is 1-5/16")

- H1 Single Hole Centered

- H24 Two Holes for 4" Centered

- H28 Two Holes for 8" Centerset

- H34 Three Holes for 4" Centerset

- H38 Three Holes for 8" Centerset

Product Options

- EE Elbow Enclosure

- EG Enviro-Glaze Color, Specify: _____

- FG 14 Gage Housing

- GE Grid Strainer w/Close Elbow 1-1/4"

- GT Grid Strainer w/Tailpiece 1-1/4"

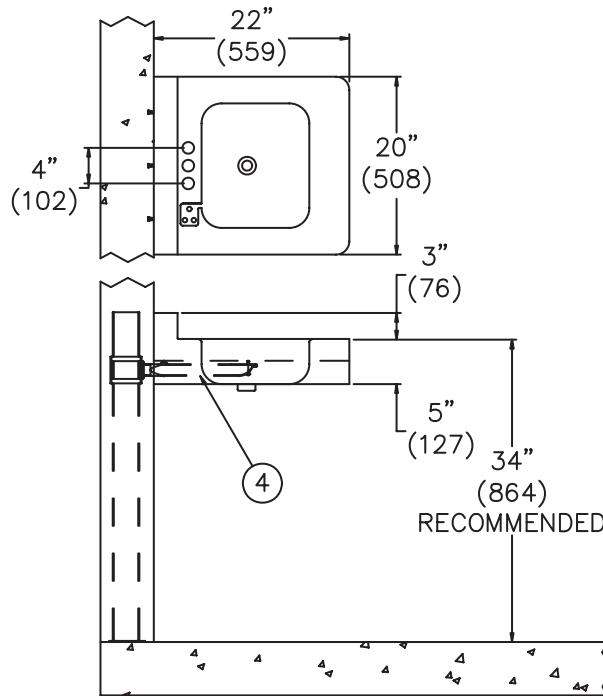
- MA Manifolder Valve __2

- OF Lavatory Overflow

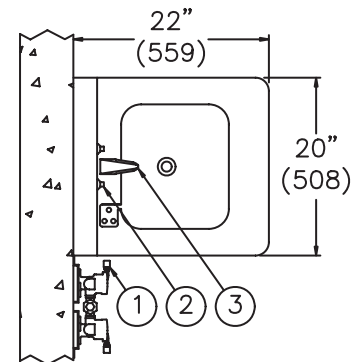
- TE Trap Enclosure (Conceals Air-control Valve)

- TPT Tubular P-Trap 1-1/4" x 1-1/2"

Please visit www.acorneng.com for most current specifications.



1953-LC-1-9



1953-LC-1-DMS-4

NOTES:

- 1. Optional -4 Air-Control Valve.
- 2. Lavy Valve Pushbuttons.

- 3. Optional -DMS Deck Mounted Spout.
- 4. Concealed Carrier (By Others).

Important: Installation instructions and current rough-in are furnished with each fixture. Do not rough in without certified dimensions. Dimensions are subject to manufacturer's tolerance of plus or minus 1/4" and change without notice. Acorn assumes no responsibility for use of void or superseded data. © Copyright 2007 Acorn Engineering Company	
<p style="text-align: center;">Selection Summary</p> <p>Model No. & Option _____</p> <p>Quantity _____</p>	<p style="text-align: center;">Approved for Manufacturing</p> <p>Company _____ Title _____</p> <p>Signature _____ Date _____</p>