



2010 Series

Drinking Fountain



2010-1-BC-3

Fixture May Show Some Available Options

Please visit www.acorneng.com for most current specifications.

Drinking Fountain

Fixture is designed to be installed and serviced from the front of a finished wall. Fixture is fabricated from 16 gage, type 304 stainless steel and is seamless welded construction with a satin finish. Bottom of unit includes removable enclosure.

Countertop has a deck-mounted bubbler with mouthguard.

Bowl is oval. Standard close elbow waste outlet is 1-1/4" O.D. plain end.

Valve is an Air-Control pneumatically operated, non-metering, self-closing type. All exposed trim is chrome-plated. Valve has a 0.7 GPM flow control. Valve conforms with the lead-free requirements of NSF 61, Section 9-1997.

Regularly furnished items include an Air-Control self-closing valve, a bubbler with mouthguard, a grid strainer with close elbow and a mounting bracket. Screws and anchor shields by others.

GUIDE SPECIFICATION

Provide and install Acorn Dura-Ware Drinking Fountain (specify model number and options). Fixture shall be fabricated from 16 gage, type 304 stainless steel. Construction shall be seamless welded and exposed surfaces shall have a satin finish. Fixture shall be furnished with an Air-Control self-closing valve, a bubbler with mouthguard, a grid strainer with close elbow, and a mounting bracket. Valve to conform with NSF 61, Section 9-1997 lead-free requirements. Installer shall furnish mounting screws, anchor shields, and required reinforcement.

Dura-Ware®: 2010 Drinking Fountain



MODEL NUMBER AND OPTIONS SELECTION

BASE MODEL NUMBER

-2010 Drinking Fountain

FIXTURE MOUNTING AND WASTE (Must Specify)

-1 Off-Floor, Wall Outlet

BUBBLER SELECTION (Must Specify)

-BC Bubbler, Code

VALVE SELECTION (Must Specify)

-3 Air-Control, Single Temperature

-EVS1 Electronic Valve System - Single Temp

-MVC1 Time-Trol - Single Temp

Product Options

-EG Enviro-Glaze Color, Specify: _____

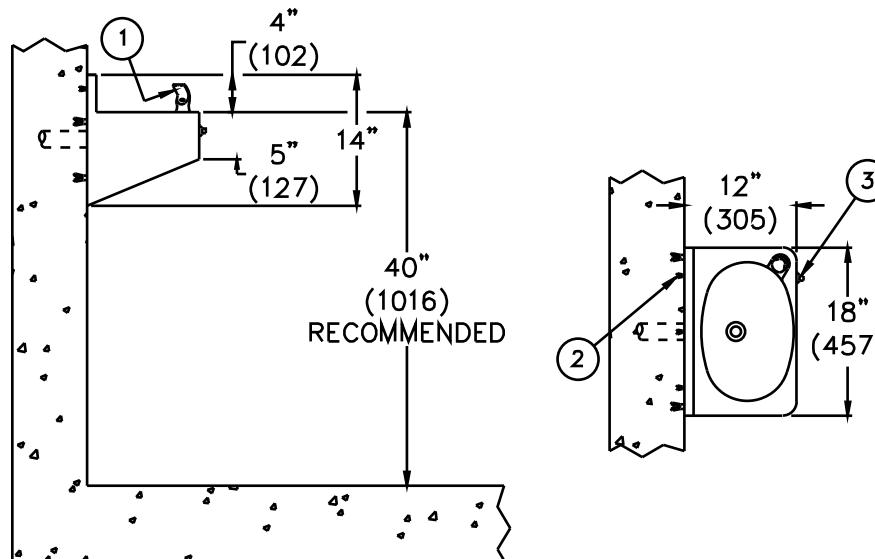
-FG 14 Gage Housing

-FP Freeze Resistant Box

-GT Grid Strainer w/Tailpiece 1-1/4"

-TPT Tubular P-Trap 1-1/4" x 1-1/2"

Please visit www.acorneng.com for most current specifications.



- 2010-1-BC-3
- NOTES:
1. Drinking Bubbler with Mouthguard.
 2. Wall Mounting Anchors (By Others).
 3. Valve Pushbutton.

<p>Important: Installation instructions and current rough-in are furnished with each fixture. Do not rough in without certified dimensions. Dimensions are subject to manufacturer's tolerance of plus or minus 1/4" and change without notice. Acorn assumes no responsibility for use of void or superseded data. © Copyright 2003 Acorn Engineering Company</p>	
<p style="text-align: center;">Selection Summary</p> <p>Model No. & Option _____</p> <p>Quantity _____</p>	<p style="text-align: center;">Approved for Manufacturing</p> <p>Company _____ Title _____</p> <p>Signature _____ Date _____</p>