



## Dura-Ware® 2125A Series

ADA Bariatric On-Floor Toilet



2125A-W-2-EG-HSBJ-BL

Fixture May Show Some Available Options

Please visit [www.acorneng.com](http://www.acorneng.com) for most current specifications.

### ADA Bariatric On-Floor Toilet

Fixture is arranged to be installed on a finished wall optionally from the front or rear. Unit is fabricated of 14 gage, type 304 stainless steel and is seamless welded construction. Fixture (less -HSBJ hinged seat option) shall withstand loads up to 2,000 lbs. with no measurable deflection and loads up to 5,000 lbs. with no permanent damage. Optional -HSBJ Big John® hinged toilet seat is rated at 1,200 lbs. Fixture exterior and bowl interior has a satin finish. Optional -EG Enviro-Glaze color finishes are available. Housing includes side access panels to facilitate installation of fixture and hinged seat by others.

**Toilet** is optionally available in both Floor Outlet or Wall Outlet with elongated bowl with an overall depth of 29". Fixtures are manufactured to ANSI 112.19.2M requirements and require a minimum of 35-PSI flow pressure. Trap will pass a 2-1/8" ball and is fully enclosed with a minimum 3-1/2" seal.

**Wall Outlet** configurations with Front Mounting (-FM) include a wall waste outlet with a 5-1/2" diameter recessed gasket waste flange. Rear Mount (-RM) fixtures include a 2-3/8" plain end which extends 3" beyond fixture.

**Floor Outlet** configurations include a floor waste outlet with a 7-1/2" diameter recessed gasket waste flange for both Front (-FM) and Rear (-RM) mount installations.

**Flush Valve** supply is additionally available for exposed or concealed flush valve styles in 1.6 GPF or 3.5 GPF with 1-1/2" NPT connection.

### GUIDE SPECIFICATION

Provide and install Acorn Dura-Ware® Bariatric (specify model number and options). Fixture shall be fabricated from 14 gage, type 304 stainless steel. Construction shall be seamless welded and exposed surfaces shall have a satin finish. Toilet shall have an elongated bowl and a self-draining flushing rim and punched for seat by others. Toilet shall meet ANSI 112.19.2M requirements. Fully enclosed toilet trap shall have a minimum 3-1/2" seal that shall pass a 2-1/8" diameter ball.

# Dura-Ware® 2125A: ADA Bariatric On-Floor Toilet



## WALL THICKNESS AND TYPE (Must Specify)

Thickness \_\_\_\_\_ Type \_\_\_\_\_

## MODEL NUMBER AND OPTIONS SELECTION

### SERIES (Must Specify)

2125A ADA Bariatric Toilet

### SUPPLY (Must Specify)

- T Top (Exposed)
- W Wall (Concealed)

### FIXTURE MOUNTING AND WASTE (Must Specify)

- 2 On-Floor, Wall Outlet
- 3 On-Floor, Floor Outlet

### INSTALLATION (Must Specify)

- FM Front Mount
- RM Rear Mount

### FLUSH VALVE GPF's (Must Specify)

- 1.6 GPF
- 3.5 GPF

### FLUSHING INLET LOCATION -Wall Supply (Must Specify)

- Flush Valve Left
- Flush Valve Right (Shown)

### FLUSH VALVE OPTIONS (Must Specify)

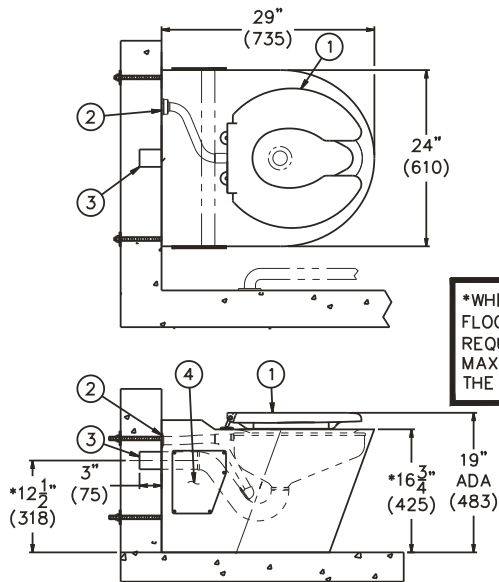
- Flush Valve by Others
- EVSFV Master-Trol Flush Valve (N/A for Top Supply)
- FVC Cover, Flush Valve (-Top Supply, N/A for ADA)
- FVCH Cover, Hydraulic Flush Valve (-Top Supply)
- FVH Flush Valve, Hydraulic (-Wall Supply)
- FVL Flush Valve, Lever Handle (-Top Supply)
- MVCFV Time-Trol Flush Valve (N/A for Top Supply)

## Product Options

- BL Bedpan Lugs
- EG Enviro-Glaze Color Specify: \_\_\_\_\_
  - Exterior Only (Not Inside Bowl)
  - Exterior & Inside Bowl
- FT Flood-Trol (N/A w/ Top Supply)
- FTA Flood-Trol Auto Reset (N/A w/ Top Supply)
- FVT Flush Thru Wall Connector
- HSBJ Big John® Hinged Seat
  - 1,200 lbs Rated
  - Open Front Less Cover (Shown Below)
  - Open Front With Cover
- LPFS Less Punch for Hinged Seat
- PE 17" Flood Rim AFF
- PH Plain End Toilet Waste (Standard on Rear Mount Units)
- PH Paper Holder (Available Only with -FVC and -FVCH)
- TF Transformer (For MVCFV)
- TSC Toilet Shipping Cover
- VAC Acorn Vac System
- WO3 3" O.D. Waste P-Trap (3.5 GPF Only)
- WO3B 3" O.D. Bell Waste Connection

Please visit [www.acorneng.com](http://www.acorneng.com) for most current specifications.

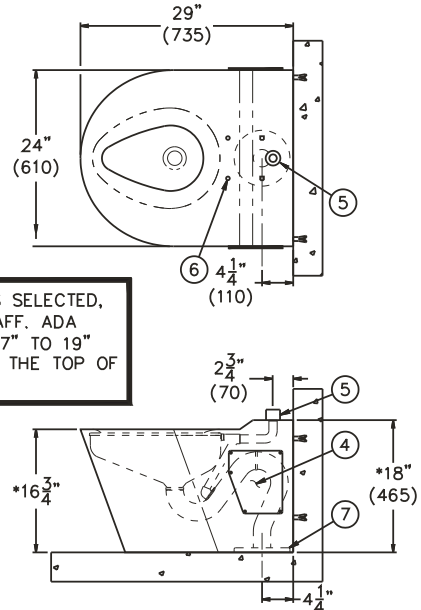
2125A-W-2-RM-FVR-HSBJ BLOWOUT JET



**NOTE:**

1. OPTIONAL -HSBJ BIG JOHN HINGED SEAT SHOWN FOR REFERENCE.
2. -FVR OFFSET FLUSHING INLET SHOWN FOR -W CONCEALED SUPPLY. -FVL IS OPPOSITE.
3. 2-3/8" PLAIN END WASTE OUTLET.

2125A-T-3-FM SIPHON JET



4. LEFT AND RIGHT ACCESS PANELS.
5. TOP SUPPLY -T SHOWN FOR REFERENCE.
6. PUNCHING FOR HINGED SEAT.
7. 7-1/2" GASKET WASTE OUTLET.

<p><b>Important:</b> Installation instructions and current rough-in are furnished with each fixture. Do not rough in without certified dimensions. Dimensions are subject to manufacturer's tolerance of plus or minus 1/4" and change without notice. Acorn assumes no responsibility for use of void or superseded data. © Copyright 2008 Acorn Engineering Company</p>	
<p style="text-align: center;"><b>Selection Summary</b></p> <p>Model No. &amp; Option _____</p> <p>Quantity _____</p>	<p style="text-align: center;"><b>Approved for Manufacturing</b></p> <p>Company _____ Title _____</p> <p>Signature _____ Date _____</p>