



Dura-Ware® 2159 Series Waterless Urinal



2159-1-FM

Fixture May Show Some Available Options

Please visit www.acorneng.com for most current specifications.

Waterless Urinal

Dura-Ware Waterless Urinals are engineered to combine attractive looks, versatility and intended for mounting onto a finished wall from the front side. Urinals feature a contoured interior to facilitate cleaning. Urinals mounted at 17" rim height comply with ANSI, ADA, UFAS accessibility requirements and IAPMO classified IGC-161-2007. Compliance is subject to the interpretation and requirements of the local code authority.

Housing is fabricated of 18 gage, bowl of 16 gage type 304 stainless steel with exterior surfaces polished to a satin finish. Unit has an open bottom for servicing and installation.

Urinal is a waterless type with removable strainer, which acts as a retainer for the drain duckbill diaphragm and supplied with 1-1/2" waste elbow.

GUIDE SPECIFICATION

Provide Acorn Dura-Ware Stainless Steel Waterless Urinal (specify model number and options). Urinal mounted at 17" rim height to comply with ANSI, ADA and UFAS accessibility requirements. Interior to have a contoured surface to facilitate cleaning. A removable strainer acts as a retainer for the drain duck bill diaphragm provided. Fixture shall be fabricated of 18 gage with 16 gage bowl type 304 stainless steel with exposed surfaces polished to a satin finish.

Dura-Ware® 2159: Dura-Ware Waterless Urinal



MODEL NUMBER AND OPTIONS SELECTION

Product Options

BASE MODEL NUMBER

2159 Dura-Ware Waterless Urinal

- EG Enviro-Glaze (Exterior Only) Color _____

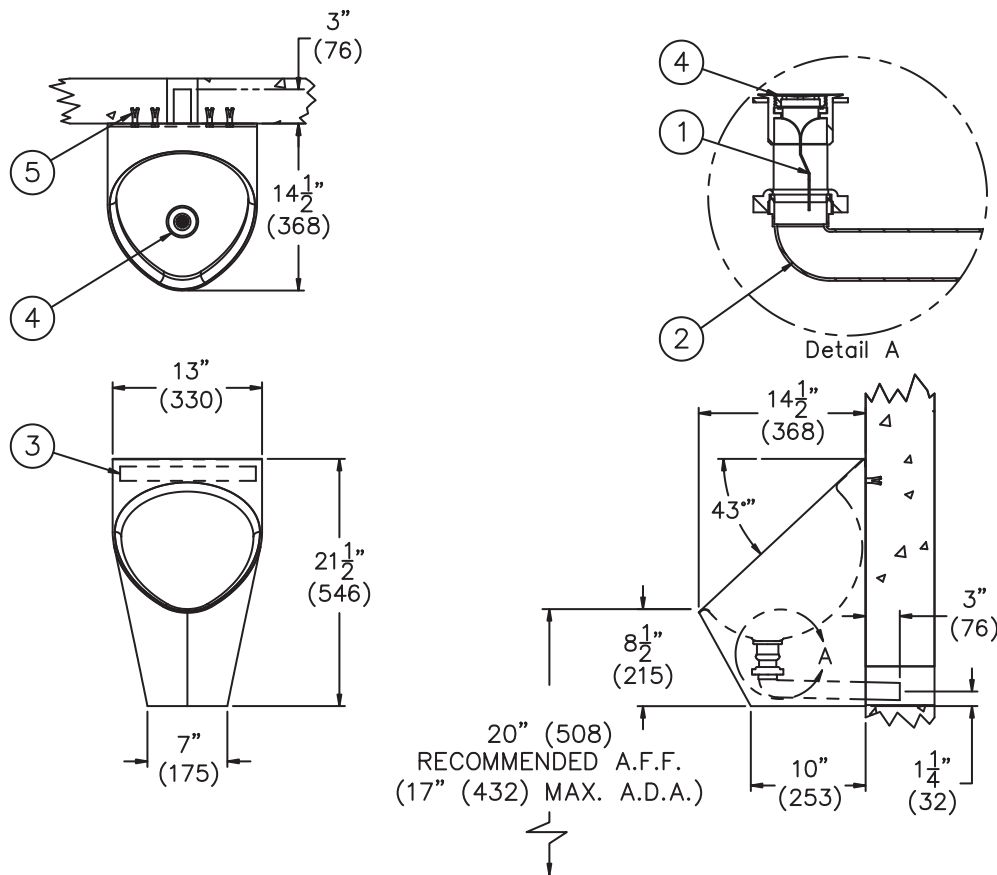
FIXTURE MOUNTING & WASTE (Must Specify)

- 1 Off-Floor, Wall Outlet

INSTALLATION (Must Specify)

- FM Front Mount

Please visit www.acorneng.com for most current specifications.



MODEL# 2159-Series

NOTES:

1. Duck Bill Diaphragm.
2. 1-1/2" Waste Elbow O.D. Plain End.
3. Mounting S-Clip.
4. Removable Strainer.
5. Wall Mounting Anchors. (By Others)

| | |
|---|--|
| <p>Important: Installation instructions and current rough-in are furnished with each fixture. Do not rough in without certified dimensions. Dimensions are subject to manufacturer's tolerance of plus or minus 1/4" and change without notice. Acorn assumes no responsibility for use of void or superseded data. © Copyright 2008 Acorn Engineering Company</p> | |
| <p>Selection Summary</p> <p>Model No. & Option _____</p> <p>Quantity _____</p> | <p>Approved for Manufacturing</p> <p>Company _____ Title _____</p> <p>Signature _____ Date _____</p> |