



## Dura-Ware® 2180 Series

Stall Type Washout Urinal - ADA Compliant



2180-T-3-FV

2180-W-3-FV-2898

Fixture May Show Some Available Options

Please visit [www.acorneng.com](http://www.acorneng.com) for most current specifications.

### Stall Type Washout Urinal - ADA Compliant

**Fixture** is arranged to be installed on finished wall and serviced from the front side. Fixture is fabricated from 16 gage, type 304 stainless steel and is seamless welded construction. Exterior has a satin finish. Interior has a matte finish. Urinal has a back wall washdown, and is optionally available with a continuous flushing rim that washes all four walls. Corners are coved to facilitate cleaning. Back and underside of fixture is sound-deadened with fire-resistant material. Unit conforms with ANSI, UFAS and ADA requirements for accessibility. Compliance is subject to the interpretation and requirements of the local code authority.

**Urinal** is washout type with back wall washdown. Flushing inlet connection is 3/4" NPT male. Bottom of urinal is sloped to a high capacity, stainless steel, beehive dome strainer. Strainer is secured with tamper-resistant screws. Waste outlet is 2" inside caulk.

**Exposed Mounting Screws** are furnished. No concealed wall fasteners or anchor shields are furnished.

#### GUIDE SPECIFICATION

Provide and install Acorn Dura-Ware Stall Type Washout Urinal (specify model number and options). Fixture shall be fabricated from 16 gage, type 304 stainless steel and shall be back wall washdown type. Inside corners of urinal are coved to facilitate cleaning. Bottom shall slope to a high capacity, stainless steel, beehive dome strainer. Waste outlet shall be 2" inside caulk. Fixture shall be furnished with exposed mounting screws. Units to conform with ANSI, UFAS and ADA requirements for accessibility.



# Dura-Ware® 2180: Stall Type Washout Urinal - ADA Compliant

## WALL THICKNESS AND TYPE (Must Specify)

Thickness \_\_\_\_\_ Type \_\_\_\_\_

## MODEL NUMBER AND OPTIONS SELECTION

### BASE MODEL NUMBER

2180 Stall Type Washout Urinal

### SUPPLY (Must Specify)

- T Top (Exposed)
- W Wall (Concealed)

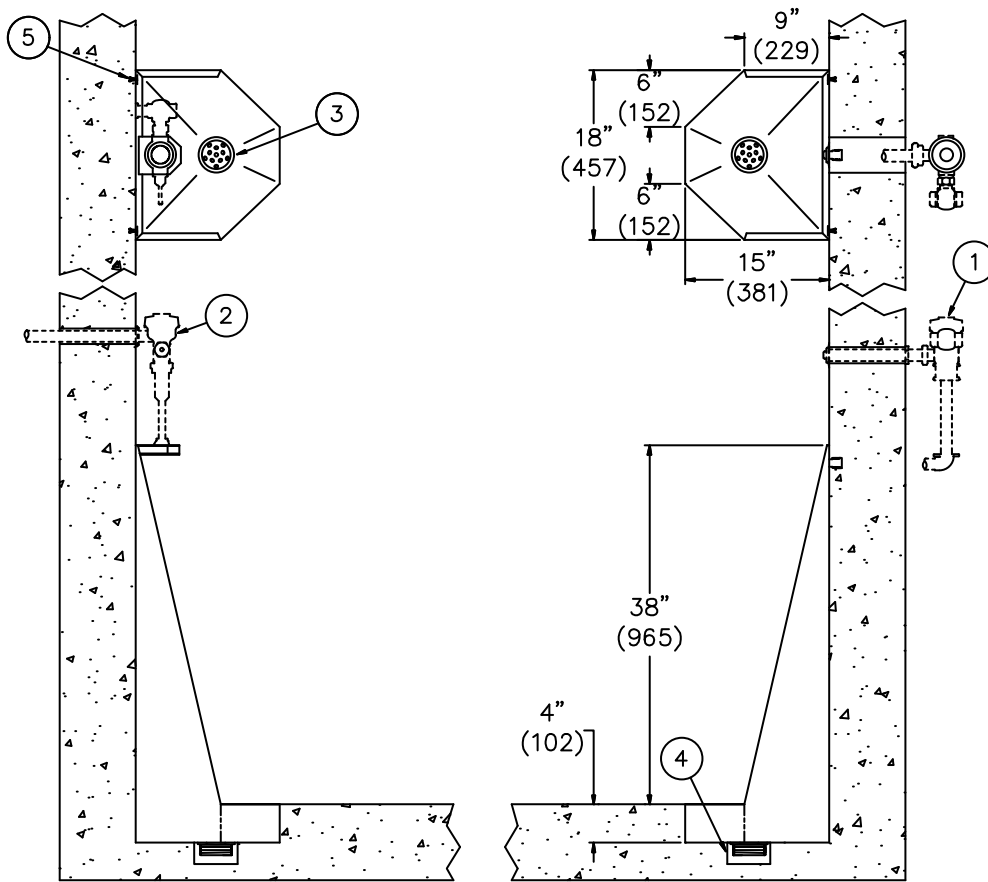
### FIXTURE MOUNTING AND WASTE (Must Specify)

- 3 On-Floor, Floor Outlet

### Product Options

- CFR Continuous Flushing Rim
- EG Enviro-Glaze Color, Specify: \_\_\_\_\_
- FG 14 Gage Housing
- FV Flush Valve \_\_ 1.0 GPF \_\_ 1.5 GPF
- FVC Flush Valve Cover (w/Flush Valve) \_\_ 1.0 GPF \_\_ 1.5 GPF
- FVT Flush Valve Thru Wall Connection

Please visit [www.acorneng.com](http://www.acorneng.com) for most current specifications.



2180-T-3

2180-W-3

### NOTES:

1. Optional -FV Flush Valve, Wall Supply.
2. Optional -FV Flush Valve, Top Supply.
3. Beehive Strainer.
4. Urinal Waste Outlet.
5. Wall Mounting Anchors (By Others).

<p><b>Important:</b> Installation instructions and current rough-in are furnished with each fixture. Do not rough in without certified dimensions. Dimensions are subject to manufacturer's tolerance of plus or minus 1/4" and change without notice. Acorn assumes no responsibility for use of void or superseded data. © Copyright 2007 Acorn Engineering Company</p>	
<p style="text-align: center;">Selection Summary</p> <p>Model No. &amp; Option _____</p> <p>Quantity _____</p>	<p style="text-align: center;">Approved for Manufacturing</p> <p>Company _____ Title _____</p> <p>Signature _____ Date _____</p>