



Hose & Supply Boxes 8101 Series Lumaloy Recessed Hose Box (Single Temperature)



8104

Fixture May Show Some Available Options

Please visit www.acorneng.com for most current specifications.

Lumaloy Recessed Hose Box (Single Temperature)

Lumaloy, Recessed Hose Boxes are designed for attractive service in both interior and exterior walls not subject to freezing. Recessed design prevents accidents which are common to surface-mounted or protruding hose valves.

Hose Box is a one piece cast construction and is furnished with two stainless steel angles for anchoring to the wall construction. Hose box has a built-in drip lip. Wall flange is cast aluminum with prime coat finish.

Door and Frame are of cast Lumaloy. Door includes a recessed cam lock, which is operable by the removable key wheel handle on the valve.

Valve and Stop Body is cast bronze with exposed parts chrome-plated. Valve and Stop feature tamper-resistant lockshield bonnet and replaceable cartridge containing all wearing parts including the seat. The body casting is gasketed where it joins the box and is securely anchored with stainless steel tamper-resistant screws. Supply inlet is 3/4" NPT female. Outlet is 3/4" male hose thread.

Screwdriver Stop in supply permits servicing the control valve without shutting down the water supply. Vacuum breaker models prevent contamination of the potable water supply. Vacuum breakers are atmospheric type and conform to the requirements of ASSE Standard 1011. Check local code authority for vacuum breaker requirements.

GUIDE SPECIFICATION

Provide and install an Acorn Lumaloy, Recessed Hose Box (specify model number) with wall flange and built-in drip lip. Box shall be one piece cast construction, fabricated from Lumaloy with plain finish. Frame and door shall have a prime coat finish. Door shall have a recessed cam lock operable with the removable key wheel handle on the valve. Valve shall be a replaceable cartridge type with vandal-resistant lockshield bonnet, removable loose key wheel handle and screwdriver operated stop.

Hose & Supply Boxes 8101 Lumaloy Recessed Hose Box (Single Temperature)



BASE MODEL NUMBER (Must Specify)

Product Options

- * None Available

HOSE BOX LESS DOOR AND FRAME

- 8101 Single Temperature Less Vacuum Breaker
- 8102 Single Temperature With Vacuum Breaker

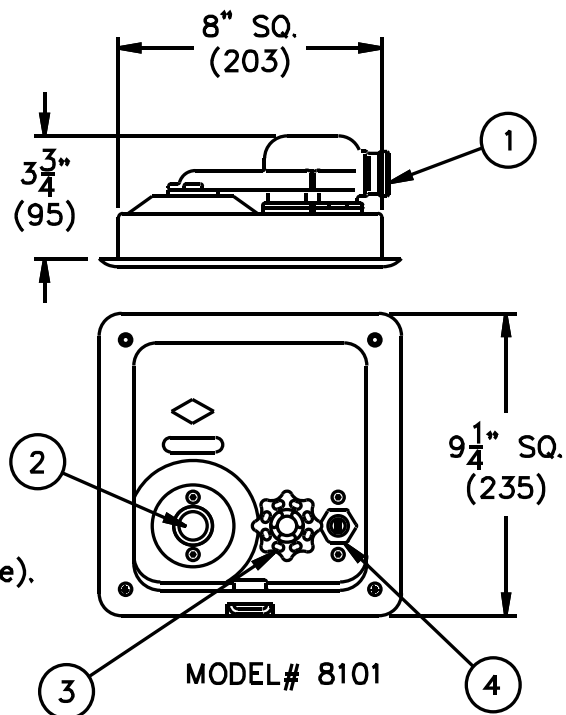
HOSE BOX WITH DOOR AND FRAME

- 8103 Single Temperature Less Vacuum Breaker
- 8104 Single Temperature With Vacuum Breaker

Please visit www.acorneng.com for most current specifications.

NOTES:

1. Supply Connection.
2. Hose Connection.
3. Wheel Handle (removable).
4. Screwdriver Stop.



Important: Installation instructions and current rough-in are furnished with each fixture. Do not rough in without certified dimensions. Dimensions are subject to manufacturer's tolerance of plus or minus 1/4" and change without notice. Acorn assumes no responsibility for use of void or superseded data. © Copyright 2005 Acorn Engineering Company	
<p style="text-align: center;">Selection Summary</p> Model No. & Option _____ Quantity _____	<p style="text-align: center;">Approved for Manufacturing</p> Company _____ Title _____ Signature _____ Date _____