



Hose & Supply Boxes 8170 Series

Stainless Steel Recessed Hose Box with Lumaloy Non-Skid Top for Floor Installation



8171

Fixture May Show Some Available Options

Please visit www.acorneng.com for most current specifications.

Stainless Steel Recessed Hose Box with Lumaloy Non-Skid Top for Floor Installation

These Acorn Recessed Hose Boxes are designed for attractive service in both interior and exterior floors not subject to freezing. Ideal for installation in markets and similar commercial buildings in foot traffic locations or where wall box cannot be used. Vacuum breaker models prevent accidental contamination of potable water supply.

Hose Box is seamless construction, fabricated from 18 gage, type 304 stainless steel and is furnished with four stainless steel clips for anchoring to the floor.

Frame and Door are cast Lumaloy and have a diamond tread non-skid surface. Frame is furnished with four tamper-resistant bolts for anchoring to box. Door is hinged and has recessed Cam Lock which can be operated by the removable wheel handle of the valve.

Valve and Stop Body is cast bronze with exposed parts chrome-plated. Valve and Stop feature tamper-resistant lockshield bonnets and replaceable cartridges containing all wearing parts including the seat. The body casting is gasketed where it joins the box and is securely anchored with stainless steel tamper-resistant screws. Supply inlet is 3/4" NPT female. Outlet is 3/4" male hose thread. Special spacers are used below the hose outlet which provides a drain at this point.

Screwdriver Stop in supply permits servicing the control valve without shutting down the water supply. Vacuum breaker models prevent contamination of the potable water supply. Vacuum breakers are atmospheric type and conform to the requirements of ASSE Standard 1011. Check local code authority for vacuum breaker requirements.

GUIDE SPECIFICATION

Provide and install Acorn Recessed Hose Box model (specify model number) for floor installation. Box shall be fabricated from 18 gage, type 304 stainless steel with satin finish interior. Door assembly shall be cast Lumaloy and have a diamond tread, non-skid surface, and Cam Lock. Valve shall be cartridge-operated type with vandal-resistant lockshield, removable loose key wheel handle. Hose box shall be installed flush with floor over one cubic foot of pea gravel.

Page # H.8170

Hose & Supply Boxes 8170 Stainless Steel Recessed Hose Box with Lumalay Non-Skid Top for Floor Installation



BASE MODEL NUMBER (Must Specify)

Product Options
 - * None Available

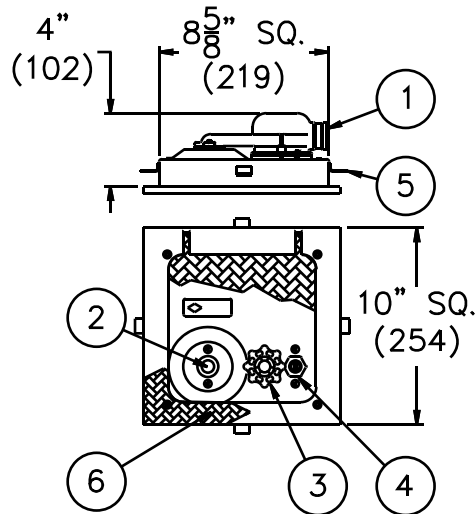
FLOOR RECESSED HOSE BOX SINGLE TEMP

- 8170 Single Temperature Less Vacuum Breaker
- 8171 Single Temperature With Vacuum Breaker

FLOOR RECESSED HOSE BOX HOT AND COLD

- 8175 Hot & Cold Less Vacuum Breaker
- 8176 Hot & Cold With Vacuum Breaker

Please visit www.acorneng.com for most current specifications.



MODEL# 8170

NOTES:

- 1. Supply Connection.
- 2. Hose Connection.
- 3. Wheel Handle (removable).
- 4. Screwdriver Stop.
- 5. Anchor Clips.
- 6. Non-Skid Cover.

<p>Important: Installation instructions and current rough-in are furnished with each fixture. Do not rough in without certified dimensions. Dimensions are subject to manufacturer's tolerance of plus or minus 1/4" and change without notice. Acorn assumes no responsibility for use of void or superseded data. © Copyright 2004 Acorn Engineering Company</p>	
<p style="text-align: center;">Selection Summary</p> <p>Model No. & Option _____</p> <p>Quantity _____</p>	<p style="text-align: center;">Approved for Manufacturing</p> <p>Company _____ Title _____</p> <p>Signature _____ Date _____</p>