



Hose & Supply Boxes 8190 Series

Stainless Steel Recessed Dialysis Supply and Waste Box



8195

Fixture May Show Some Available Options

Please visit www.acorneng.com for most current specifications.

Stainless Steel Recessed Dialysis Supply and Waste Box

Acorn Stainless Steel Recessed Dialysis Supply and Waste Boxes have been especially designed for dialysis machines which utilize RO (reverse osmosis) and DI (deionized) water, mixed with dialysate saline concentrate. This water is very corrosive and is commonly called "hungry water," because it eats away steel, some stainless steels, cast iron, copper and brass metals commonly used in supply and waste systems. There are two basic types of dialysis machines. One mixes dialysate into the RO-DI water inside the machine and the other requires pre-mixed water. When only one type is used, the single valve models are satisfactory. When both types are or may be used, the two valve models are required.

Waste Box. All parts of the Box which come in contact with waste water are fabricated from type 316 stainless steel. All seams are continuous welded and interior of the box and exposed parts of the waste receptor have a satin finish. The welded hose bracket will hold two discharge hoses. Tailpiece waste connection is 2-3/8" O.D. plain end. A stainless steel adjustable wall flange with satin finish is provided to cover space between wall and box. Wall flange is securely anchored with Phillips head screws at each corner. Waste outlet can be directly connected to 2" nominal size glass or plastic drainline with a mechanical coupling.

Door is provided with concealed hinge and Cam Cylinder Lock with Key Lock and two keys. Door can be easily removed after opening by releasing hinge pins with a screwdriver.

Valves and Fittings are PVC (polyvinyl chloride). Valves are ball type with Viton* O-ring and are securely anchored to the box. Each valve is furnished with a flushing nipple for installation in valve outlet when lines are flushed into waste receptor.

GUIDESPECIFICATION

Provide and install Acorn Recessed Dialysis Supply and Waste Box model (specify model number). Box shall be fabricated from type 316 stainless steel with all seams continuous welded, and have a satin finish. Wall flange shall be heavy gage, type 304 stainless steel with satin finish. Ball valve and fittings shall be PVC (polyvinyl chloride) for corrosion-resistance with Viton seals. Nipples shall be provided for flushing of supply lines.

* Registered trademark of E.I. Dupont De Nemours

Page # H.8190

Hose & Supply Boxes 8190 Stainless Steel Recessed Dialysis Supply and Waste Box



BASE MODEL NUMBER (Must Specify)

Product Options
 - * None Available

HEMO-DIALYSIS BOX

WITH WALL FLANGE LESS DOOR

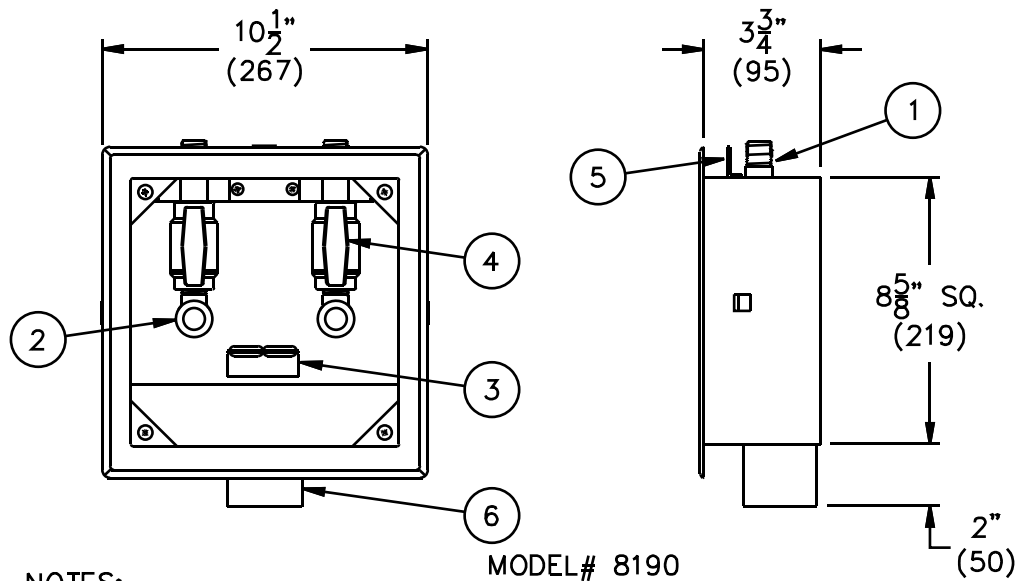
- 8190 Two Valve Supply, Less Door
- 8191 One Valve Supply, Less Door

HEMO-DIALYSIS BOX

WITH WALL FLANGE AND DOOR

- 8195 Two Valve Supply With Door & Lock
- 8196 One Valve Supply With Door & Lock

Please visit www.acorneng.com for most current specifications.



MODEL# 8190

NOTES:

- 1. Supply Connection.
- 2. Hose Connection.
- 3. Discharge Hose Bracket.
- 4. Control Valve.
- 5. Anchor Clips.
- 6. Waste Connection.

<p>Important: Installation instructions and current rough-in are furnished with each fixture. Do not rough in without certified dimensions. Dimensions are subject to manufacturer's tolerance of plus or minus 1/4" and change without notice. Acorn assumes no responsibility for use of void or superseded data. © Copyright 2004 Acorn Engineering Company</p>	
<p style="text-align: center;">Selection Summary</p> <p>Model No. & Option _____</p> <p>Quantity _____</p>	<p style="text-align: center;">Approved for Manufacturing</p> <p>Company _____ Title _____</p> <p>Signature _____ Date _____</p>