



Hose & Supply Boxes 8198 Series

Recessed Laser Supply and Waste Box



8198

Image May Show Some Available Options

Please visit www.acorneng.com for most current specifications.

Recessed Laser Supply and Waste Box

Box is 18 gage, type 304 stainless steel with a glass blast finish interior. Exterior of box includes mounting clips for anchoring box to the wall construction. Wall flange is 16 gage, type 304 stainless steel and includes locking door with cylinder lock. Exterior surfaces are polished to a satin finish.

Door is provided with piano hinge Cam and Cylinder Lock with Key Lock and two keys.

Valve and Stop body is cast bronze with exposed parts chrome plated. Valve and stop feature tamper resistant lockshield bonnets and replaceable cartridges containing all wearing parts. The valve body casting is gasketed where it joins the box and is securely anchored. Valve includes atmospheric vacuum breaker and 3/4" NPT male and female quick disconnect fitting. Screwdriver stop allows servicing the control valve without shutting down the water supply. Supply inlet is 3/4" NPT female.

Waste Connection includes a 3/4" NPT male and female quick disconnect fitting.

Waste Fitting is cast bronze with rough chrome finish and is securely bolted to the box. It will slip 2" SPS and is furnished with Permaseal for waterproofing.

GUIDE SPECIFICATION

Acorn Laser Recessed Supply and Waste Box Model 8198. Wall box to be type 304 stainless steel with exposed surfaces polished to a satin finish. Provide removable stainless steel wall flange. Vacuum breaker on supply outlet. Provide positive shutoff quick disconnect on both supply and waste outlets. Valve to be cartridge operated type with vandal-resistant lockshield bonnet and screwdriver operated stop.

Hose & Supply Boxes 8198 Recessed Laser Supply and Waste Box



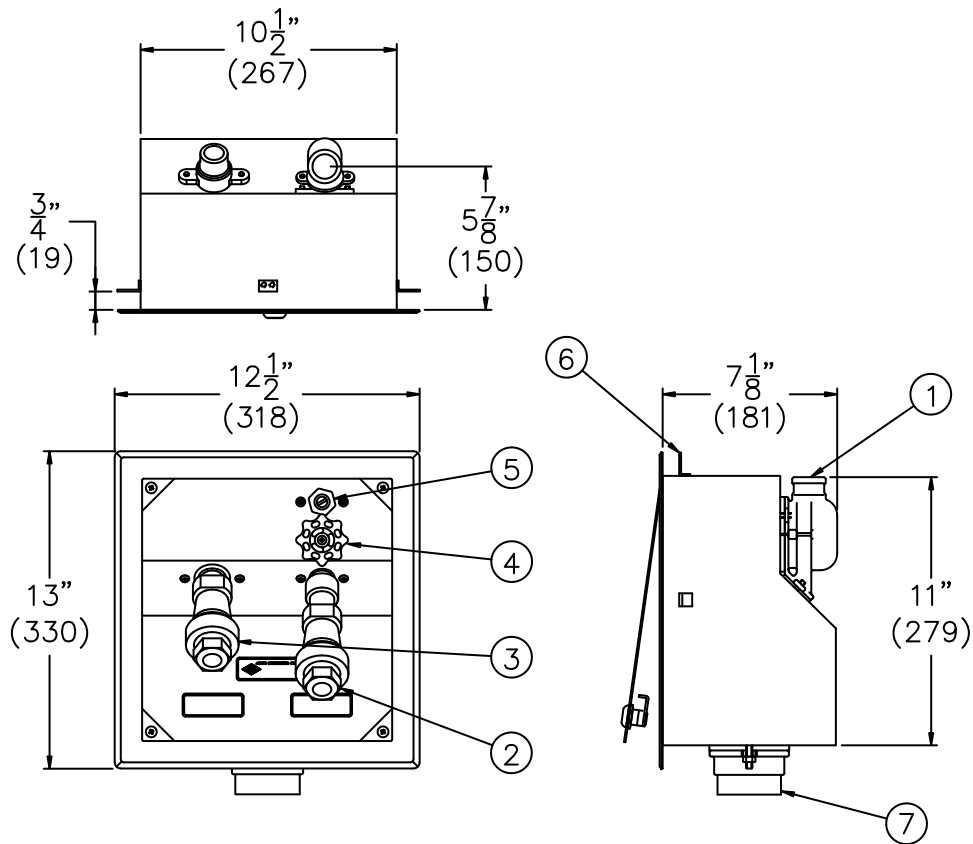
BASE MODEL NUMBER

-8198 Recessed Laser Supply and Waste Box

Product Options

- * None Available

Please visit www.acorneng.com for most current specifications.



MODEL# 8198

NOTES:

- | | |
|--|--|
| <ul style="list-style-type: none"> 1. Supply Connection. 2. 3/4" Quick Disconnect Supply. 3. 3/4" Quick Disconnect Drain. 4. Wheel Handle (removable). | <ul style="list-style-type: none"> 5. Screwdriver Stop. 6. Anchor Clips. 7. Waste Outlet. |
|--|--|

<p>Important: Installation instructions and current rough-in are furnished with each fixture. Do not rough in without certified dimensions. Dimensions are subject to manufacturer's tolerance of plus or minus 1/4" and change without notice. Acorn assumes no responsibility for use of void or superseded data. © Copyright 2007 Acorn Engineering Company</p>	
<p style="text-align: center;">Selection Summary</p> <p>Model No. & Option _____</p> <p>Quantity _____</p>	<p style="text-align: center;">Approved for Manufacturing</p> <p>Company _____ Title _____</p> <p>Signature _____ Date _____</p>