



## Hose & Supply Boxes 8205 Series

Stainless Steel Surface-Mounted Remote Supply Box



8205

Fixture May Show Some Available Options

Please visit [www.acorneng.com](http://www.acorneng.com) for most current specifications.

### Stainless Steel Surface-Mounted Remote Supply Box

**Acorn Stainless Steel Surface-Mounted Remote Supply Boxes** are used to supply water to flushing rim drains, can washing drains, shower heads, soap machines, hospital and similar equipment. Models with temperature gage are recommended where it is desired to know the temperature of the water being supplied; for example, soap machines and hospital equipment. Temperature gage has a stainless steel case and is calibrated from 0 to 200 degrees Fahrenheit.

**Box** is fabricated from 18 gage, type 304 stainless steel and all seams are continuous welded. It is furnished with four holes on the back for mounting. Wall anchoring hardware by others. Baffle is 22 gage. All exposed surfaces are polished to a satin finish. Door is provided with full length piano hinge, Cam and Cylinder Lock with Key Lock and two keys.

**Control Valves** have cast bronze bodies and feature replaceable cartridges containing all wearing parts including the seat. Exposed valve parts are polished chrome-plated. Valves have a screwdriver Stop in each supply behind removable baffle, which permits servicing without shutting down the water supply.

**Vacuum Breaker** prevents contamination of the potable water supply. It is atmospheric type and conforms to the requirements of ASSE Standard 1011. Check local code authority for vacuum breaker requirements. Supply and outlet connections are 1/2" NPT and are securely anchored to the box so internal piping will not be damaged during installation.

#### GUIDE SPECIFICATION

Provide and install Acorn Surface-Mounted Remote Supply Box model (specify model number) fabricated from 18 gage, type 304 stainless steel with full length piano hinged door. Door is key lock operated. All exposed stainless steel surfaces including interior stainless steel baffle shall be polished to a satin finish. Control handles shall be polished chrome-plated. Control valve shall be cartridge-operated type with individual screwdriver operated Stop. Supply box shall have code approved vacuum breaker. Temperature gage shall be calibrated from 0 to 200 degrees Fahrenheit.

# Hose & Supply Boxes 8205 Stainless Steel Surface-Mounted Remote Supply Box



**BASE MODEL NUMBER (Must Specify)**

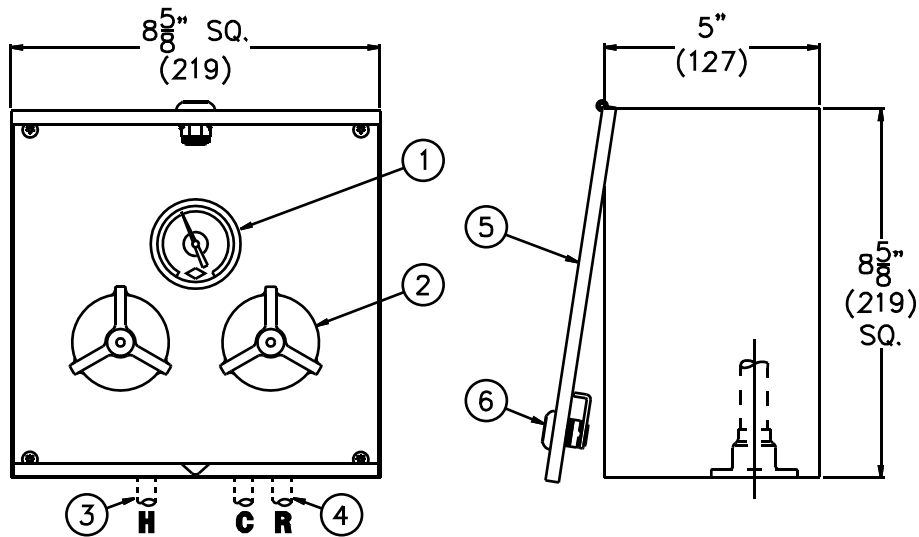
**Product Options**

**STAINLESS STEEL SURFACE MOUNTED  
REMOTE SUPPLY BOX**

- \* None Available

- 8205 With Temperature Gage
- 8206 Less Temperature Gage

Please visit [www.acorneng.com](http://www.acorneng.com) for most current specifications.



MODEL# 8205

**NOTES:**

- 1. Temperature Gage.
- 2. Control Valve.
- 3. H&C Supply Connection.

- 4. Remote Connection.
- 5. Hinged Door.
- 6. Cylinder Lock with Key.

<p><b>Important:</b> Installation instructions and current rough-in are furnished with each fixture. Do not rough in without certified dimensions. Dimensions are subject to manufacturer's tolerance of plus or minus 1/4" and change without notice. Acorn assumes no responsibility for use of void or superseded data. © Copyright 2004 Acorn Engineering Company</p>	
<p style="text-align: center;">Selection Summary</p> <p>Model No. &amp; Option _____</p> <p>Quantity _____</p>	<p style="text-align: center;">Approved for Manufacturing</p> <p>Company _____ Title _____</p> <p>Signature _____ Date _____</p>