



Meridian 2141 Series

Siphon Jet Toilet



2141-W-2-RM *

Fixture May Show Some Available Options

Please visit www.acorneng.com for most current specifications.

Siphon Jet Toilet

Meridian Toilet contoured housings feature an attractive, satin finish and are optionally available with a High Polish Finish (-HP) for an exceptional, elegant appearance. The standard toilet bowl has a matte finish on the inside. Mounting is available for front or rear installations. All units include punching for an elongated hinged seat. (-HS Hinged Seat is optionally available.) Housing includes access panel on each side for installation of fixture and hinged seat.

Toilet is a Siphon Jet type with an elongated bowl manufactured to ANSI 112.19.2M requirements and requires a minimum of 25 PSI flow pressure. Toilet uses a water consumption of 1.6 gallons per flush or less. Trap has a minimum 3-1/2" seal, will pass a 2-1/8" ball and is fully enclosed.

Flush Valve supply is available for exposed or concealed flush valve styles with 1-1/2" NPT connection.

Front Mount (-FM) units include a fixture-to-wall mounting plate with exposed vandal-resistant fasteners. Mounting plate is mounted directly to a reinforced wall or to an optional -MC Mounting Carrier (6" bolt centers). Waste outlet connection for Front Mount (-FM) units is 5-1/2" diameter recessed gasket flange.

Rear Mount (-RM) units include integral 1/2" UNC anchor tappings and mounting hardware. Unit requires an accessible pipe chase for installation. Waste outlet connection for Rear Mount (-RM) units is a 2-3/8" OD stainless steel plain end.

GUIDE SPECIFICATION

Acorn Meridian Siphon Jet Toilet (specify model number and options). Fixture to be heavy gage type 304 stainless steel. Exposed surfaces shall be polished to a satin finish. Housing to include side access panels and punching for hinged seat. Toilet shall meet ANSI 112.19.2M requirements, using an average water consumption of 1.6 gallons per flush or less. Toilet trap shall have a minimum 3-1/2" seal that shall pass a 2-1/8" diameter ball and be fully enclosed.

* Patent applied for



Meridian: 2141 Siphon Jet Toilet

MODEL NUMBER AND OPTIONS SELECTION

WALL THICKNESS AND TYPE (Must Specify)

Thickness _____ Type: __ Concrete __ Block __ Steel

BASE MODEL NUMBER

2141 Siphon Jet Toilet

SUPPLY SELECTION (Must Specify)

- T Top (Exposed)
 - W Wall (Concealed)

FIXTURE MOUNTING & WASTE (Must Specify)

- 1 Off-Floor, Wall Outlet
 - 2 On-Floor, Wall Outlet

INSTALLATION (Must Specify)

- FM Front Mount
 - RM Rear Mount

Flush Valve GPF (Must Specify)

- 1.6 GPF
 - 3.5 GPF

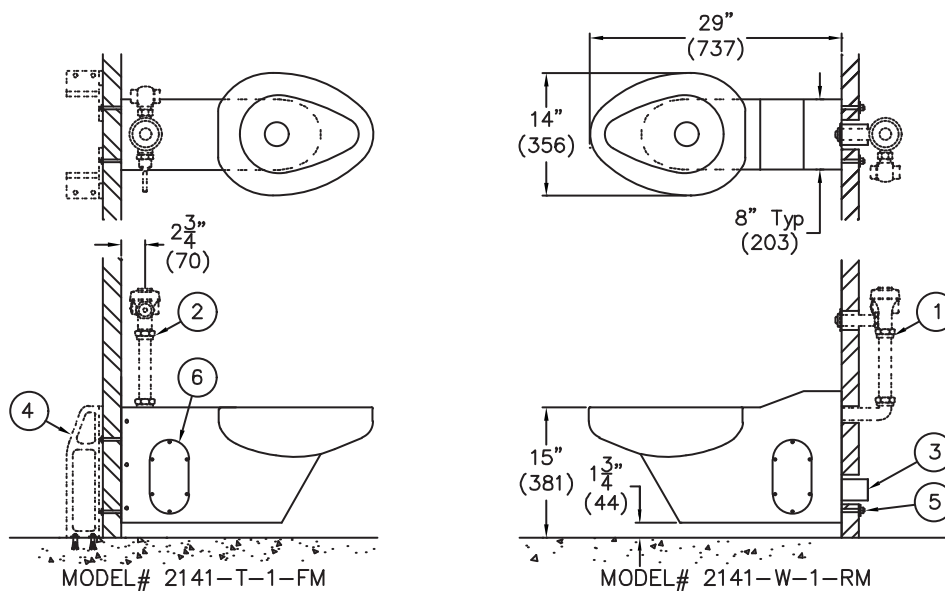
Flush Valve Option (Must Specify)

- EVSFV Master-Trol Electronic Flush Valve
 - FV Flush Valve
 - FVC Flush Valve Cover w/ Mech
 - FVCH Flush Valve Cover w/ Hydraulic
 - FVH Flush Valve Hydraulic
 - FVL Flush Valve w/ Lever Handle
 - MVCFV Time-trol Electronic Flush Valve

Product Options

- ADA 18" ADA Integral Seat Height
 - CO1 Cleanout with O-Ring to No-Hub 2-3/8" x 4"(- RM Models Only)
 - CO1_3 Cleanout with O-Ring to No-Hub 2-3/8" x 3"(- RM Models Only)
 - EG Enviro-Glaze Color: _____
 - FG 14 Gage
 - FVT Flush Valve Thru-Wall Connection
 - GW Gasket Waste (Standard on -FM but Optional on -RM).
 - HP High Polish Finish (Exterior Only)
 - HS White Hinged Seat
__ Open Front Less Cover
__ Open Front With Cover
 - LPFS Less Punch for Hinged Seat
 - MC Mounting Carrier (6" Bolt Centers)
 - MT Metal Template
 - SW Wall Sleeve (- RM Models Only)

Please visit www.acorneng.com for most current specifications.



- NOTES:
1. Optional -FV Flush Valve - Wall Supply.
 2. Optional -FV Flush Valve - Top Supply.
 3. Toilet Waste Outlet.
 4. Optional -MC Mounting Carrier.
 5. Wall Mounting Hardware.
 6. Access Panel. Both Sides.

Important: Installation instructions and current rough-in are furnished with each fixture. Do not rough in without certified dimensions. Dimensions are subject to manufacturer's tolerance of plus or minus 1/4" and change without notice. Acorn assumes no responsibility for use of void or superseded data. © Copyright 2007 Acorn Engineering Company	
Selection Summary	Approved for Manufacturing
Model No. & Option _____	Company _____ Title _____
Quantity _____	Signature _____ Date _____