



## Meridian 3701 Series

Meridian Stainless Steel Curved Front Uni-Basin - ADA Compliant



3701-1-H\*

Fixture May Show Some Available Options

Please visit [www.acorneng.com](http://www.acorneng.com) for most current specifications.

### Meridian Stainless Steel Curved Front Uni-Basin - ADA Compliant

**Meridian Stainless Steel Curved Front Uni-Basins** are engineered to combine the look and feel of commercial-grade designer basins and countertops with the durability and economy of group fixtures. Each standard height Washbasin complies with ANSI, UFAS and ADA requirements. Compliance is subject to the interpretation and requirements of the local code authority.

**Housing** is heavy gage, type 304 stainless steel and is polished to a satin finish. Countertop, backsplash and housing feature fully welded, seamless corners.

**Factory Installed Self-Rimming Basin** is of a round design, (15-3/4" diameter x 5" deep) and includes a satin finish. Rim of basin is highlighted with a mirror finish. Basin includes grid strainer, waste piping and 1-1/2" P-trap.

- **H Hand Operation** includes a pressure balancing mixing valve with a backsplash mounted metering Air-Control pushbutton and a backsplash mounted stainless steel tubular spout with a 0.5 GPM flow control.

- **SO Sensor Operation** includes an individual solenoid valve activated by an infrared sensor with a pressure balancing mixing valve and a deck mounted stainless steel tubular spout with a 0.5 GPM flow control. A plug-in transformer is included.

**Pressure Balancing Mixing Valve** delivers constant water flow by compensating for pressure fluctuations. Valve is to be field set to 105° Fahrenheit and includes checkstop and strainer assemblies. Operating range is 30 - 100 PSI.

**Off-Floor Models** include a trap enclosure to conceal hot and cold mixing valve assembly and P-trap. Enclosure is fabricated of heavy gage, type 304 stainless steel with a satin finish. Wall requires adequate backing to support Washbasin.

**On-Floor Models** include a pedestal base frame, enclosure and scuff panel fabricated of heavy gage, type 304 stainless steel with exposed surfaces having a satin finish. Enclosure conceals valve, piping, supply and waste connections. Pedestal base is wall mounted and supported on-floor. An enclosed bottom (- EB) is provided standard for on-floor models.

- **PDM Pump Type Soap Dispenser** is optionally available for liquid and lotion type soaps. Dispenser is deck mounted with an under-the-counter reservoir and top refill feature for ease of maintenance.

### GUIDE SPECIFICATION

Meridian Stainless Steel Curved Front One-Person Washbasin by Acorn (Specify model number and options). Unit with 34" standard height rim to conform with ANSI, UFAS and ADA Accessibility Standards. Washbasin to include self-rimming round basin (15-3/4" diameter x 5" deep). Basin, countertop, backsplash, apron and trap enclosure to be constructed of heavy gage, type 304 stainless steel with satin finish. Basin to include contrasting mirror finish on rim. Operation: (Specify) Provide pushbutton actuated Air-Control metering valve with backsplash mounted stainless steel tubular spout. Washbasin to be furnished complete with the following: pressure balancing mixing valve, checkstops, supply and waste connections to the wall and 1-1/2" P-trap.

\* Patented

# Meridian 3701: Meridian Stainless Steel Curved Front Uni-Basin - ADA Compliant



## BASE MODEL NUMBER (Must Specify)

- 3701 Meridian Stainless Steel Curved Front Uni-Basin

## FIXTURE MOUNTING & WASTE (Must Specify)

- 1 Off-Floor, Wall Outlet
- 2 On-Floor, Wall Outlet

## OPERATION (Must Specify)

- 9 Less Spout and Valves  
(Only Available with - RLD Basin)
- H Hand Operation
- PBE Pushbutton Electronic Metering
- SO Sensor Operation  
(Deck Mounted Spouts Only)
- RLD Drop-In "D" Shape Stainless Steel Basin  
Less Valves. Specify Punching Below.

## VALVE PUNCHING

(Specify when Valve by Others with - RLD Basin & -9)

- H1 Single Hole Centered
- H24 Two Holes Centered 4" C/C
- H34 Three Holes 4" Centerset
- H36 Three Holes 6" Radial Placement

## VALVE AND SPOUT OPTIONS

(Unit is provided standard with a backsplash mounted spout.)

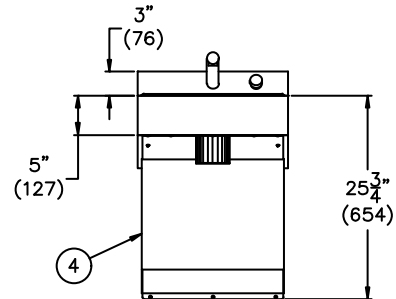
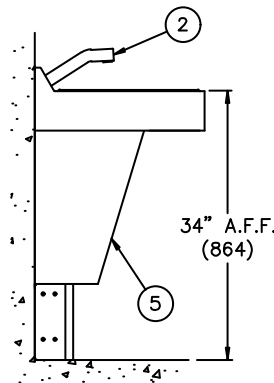
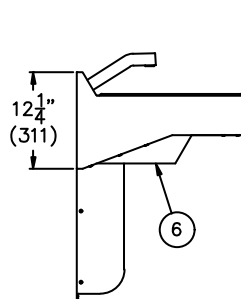
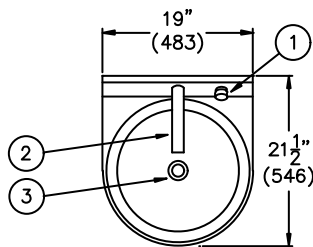
- CSG 4" Centerset Faucet  
with Gooseneck Spout and Wristblade Handles  
(Only Available with -RLD Basin & -H34)
- DMJ Deck Mounted "J" Spout
- DML Deck Mounted "L" Spout

## Product Options

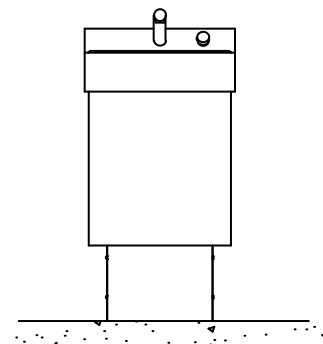
- BAT Battery Operated (- SO)
- DMP Deck Mounted Pushbutton
- EB Enclosed Bottom (Not Available with - SSN)
- ECL 10" Extended Countertop - Left Hand
- ECR 10" Extended Countertop - Right Hand
- EG Enviro-Glaze (Cabinet/Counter)  
Color: \_\_\_\_\_
- IB Integral Bowl
- JH 30" Junior Rim Height  
(- 2 On-Floor Models Only)
- LE Less Trap Enclosure
- MF Mirror Finish Basin
- MXT Hot & Cold Thermostatic Mixing Valve
- OF Basin Overflow
- PDM Metering Liquid Soap Dispenser
- SES Scalloped Enclosure Style  
(- 1 Off-Floor Models Only)
- SSN 2-1/2" Stainless Steel Narrow Apron  
(- 1 Off-Floor Models Only)
- ST Single Temperature Valve

Please visit [www.acorneng.com](http://www.acorneng.com)  
for most current specifications.

- NOTES:
1. Backsplash Mounted Pushbutton.
  2. Backsplash Mounted Spout.
  3. Grid Strainer With Close Elbow.
  4. Trap Enclosure.
  5. On Floor Pedestal.
  6. -EB Enclosed Bottom.



MODEL# 3701-1-H-EB



MODEL# 3701-2-H

<p><b>Important:</b> Installation instructions and current rough-in are furnished with each fixture. Do not rough in without certified dimensions. Dimensions are subject to manufacturer's tolerance of plus or minus 1/4" and change without notice. Acorn assumes no responsibility for use of void or superseded data. © Copyright 2007 Acorn Engineering Company</p>	
<p style="text-align: center;"><b>Selection Summary</b></p> <p>Model No. &amp; Option _____</p> <p>Quantity _____</p>	<p style="text-align: center;"><b>Approved for Manufacturing</b></p> <p>Company _____ Title _____</p> <p>Signature _____ Date _____</p>