



Meridian 3704 Series

Meridian Stainless Steel Curved Front Quad-Basin - ADA Compliant



3704-1-H*

Fixture May Show Some Available Options

Please visit www.acorneng.com for most current specifications.

Meridian Stainless Steel Curved Front Quad-Basin - ADA Compliant

Meridian Stainless Steel Curved Front Quad-Basins are engineered to combine the look and feel of commercial-grade designer basins and countertops with the durability and economy of group fixtures. Each standard height Washbasin complies with ANSI, UFAS and ADA requirements. Compliance is subject to the interpretation and requirements of the local code authority.

Housing is heavy gage, type 304 stainless steel and is polished to a satin finish. Countertop, backsplash and housing feature fully welded, seamless corners.

Factory Installed Self-Rimming Basins are of a round design, (15-3/4" diameter x 5" deep) and include a satin finish. Rim of basin is highlighted with a mirror finish. Basins include grid strainer, waste piping and 1-1/2" P-trap.

- **H Hand Operation** includes a pressure balancing mixing valve with backsplash mounted metering Air-Control pushbuttons and backsplash mounted stainless steel tubular spouts with a 0.5 GPM flow control.

- **SO Sensor Operation** includes individual solenoid valves activated by infrared sensors with a pressure balancing mixing valve and deck mounted stainless steel tubular spouts with a 0.5 GPM flow control. A plug-in transformer is included.

Pressure Balancing Mixing Valve delivers constant water flow by compensating for pressure fluctuations. Valve is to be field set to 105° Fahrenheit and includes checkstop and strainer assemblies. Operating range is 30 - 100 PSI.

Off-Floor Models include a trap enclosure to conceal hot and cold mixing valve assembly and P-traps. Enclosure is fabricated of heavy gage, type 304 stainless steel with a satin finish. Wall requires adequate backing to support Washbasin. Units with optional - EB Enclosed Bottom receive (3) smaller individual trap enclosures.

On-Floor Models include a pedestal base frame, enclosure and scuff panel fabricated of heavy gage, type 304 stainless steel with exposed surfaces having a satin finish. Enclosure conceals valves, piping, supply and waste connections. Pedestal base is wall mounted and supported on-floor. An Enclosed Bottom (- EB) is provided standard for On-Floor models.

- **PDM Pump Type Soap Dispenser** is optionally available for liquid and lotion type soaps. Dispensers (4) are deck mounted with an under-the-counter reservoir and top refill feature for ease of maintenance.

GUIDE SPECIFICATION

Meridian Stainless Steel Curved Front Four-Person Washbasin by Acorn (Specify model number and options). Unit with 34" standard height rim to conform with ANSI, UFAS and ADA Accessibility Standards. Washbasin to include (4) individual self-rimming round basins (15-3/4" diameter x 5" deep). Basins, countertop, backsplash, apron and trap enclosure to be constructed of heavy gage, type 304 stainless steel with satin finish. Basins to include contrasting mirror finish on rim and shall be located on 30" centers. Operation: (Specify) Provide pushbutton actuated Air-Control metering valves with backsplash mounted stainless steel tubular spouts. Washbasin to be furnished complete with the following: pressure balancing mixing valve, checkstops, supply and waste connections to the wall and 1-1/2" P-traps.

* Patented

Meridian 3704: Meridian Stainless Steel Curved Front Quad-Basin - ADA Compliant



BASE MODEL NUMBER (Must Specify)

- 3704 Meridian Stainless Steel Curved Front Quad-Basin

FIXTURE MOUNTING & WASTE (Must Specify)

- 1 Off-Floor, Wall Outlet
- 2 On-Floor, Wall Outlet

OPERATION (Must Specify)

- 9 Less Spout and Valves (Only Available with - RLD Basin)
- H Hand Operation
- PBE Pushbutton Electronic Metering
- SO Sensor Operation (Deck Mounted Spouts Only)
- RLD Drop-In "D" Shape Stainless Steel Basin Less Valves. Specify Punching Below.

VALVE PUNCHING

(Specify when Valve by Others with - RLD Basin & - 9)

- H1 Single Hole Centered
- H24 Two Holes Centered 4" C/C
- H34 Three Holes 4" Centerset
- H36 Three Holes 6" Radial Placement

VALVE AND SPOUT OPTIONS

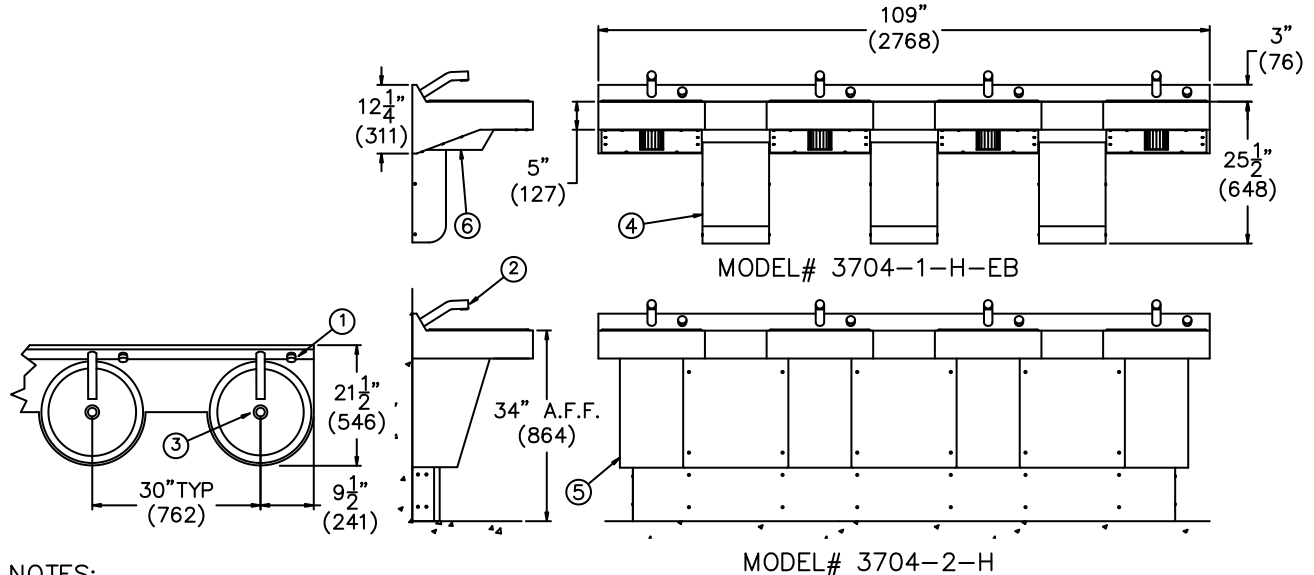
(Unit is provided standard with a backsplash mounted spout.)

- CSG 4" Centerset Faucet with Gooseneck Spout and Wristblade Handles (Only Available with - RLD Basin & - H34)
- DMJ Deck Mounted "J" Spout
- DML Deck Mounted "L" Spout

Product Options

- BAT Battery Operated (- SO)
- DMP Deck Mounted Pushbutton
- EB Enclosed Bottom (Not available with - SSN)
- ECL 10" Extended Countertop - Left Hand
- ECR 10" Extended Countertop - Right Hand
- EG Enviro-Glaze (Cabinet/Counter) Color: _____
- IB Integral Bowl
- JH 30" Junior Rim Height (- 2 On-Floor Models Only)
- LE Less Trap Enclosure
- MF Mirror Finish Basin
- MXT Hot & Cold Thermostatic Mixing Valve
- OF Basin Overflow
- PDM Metering Liquid Soap Dispenser
- SES Scalloped Enclosure Style (- 1 Off-Floor Models Only)
- SSN 2-1/2" Stainless Steel Narrow Apron (- 1 Off-Floor Models Only)
- ST Single Temperature Valve

Please visit www.acorneng.com for most current specifications.



NOTES:

- 1. Backsplash Mounted Pushbutton.
- 2. Backsplash Mounted Spout.
- 3. Grid Strainer With Close Elbow.
- 4. Trap Enclosure.
- 5. On Floor Pedestal.
- 6. -EB Enclosed Bottom.

Important: Installation instructions and current rough-in are furnished with each fixture. Do not rough in without certified dimensions. Dimensions are subject to manufacturer's tolerance of plus or minus 1/4" and change without notice. Acorn assumes no responsibility for use of void or superseded data. © Copyright 2007 Acorn Engineering Company	
<p style="text-align: center;">Selection Summary</p> <p>Model No. & Option _____</p> <p>Quantity _____</p>	<p style="text-align: center;">Approved for Manufacturing</p> <p>Company _____ Title _____</p> <p>Signature _____ Date _____</p>