



Meridian 3712 Series

Meridian Stainless Steel Straight Front Dual-Basin - ADA Compliant



3712-1-H

Fixture May Show Some Available Options

Please visit www.acorneng.com for most current specifications.

Meridian Stainless Steel Straight Front Dual-Basin - ADA Compliant

Meridian Stainless Steel Straight Front Dual-Basins are engineered to combine the look and feel of commercial-grade designer basins and countertops with the durability and economy of group fixtures. Each standard height Washbasin complies with ANSI, UFAS and ADA requirements. Compliance is subject to the interpretation and requirements of the local code authority.

Housing is heavy gage, type 304 stainless steel and is polished to a satin finish. Countertop, backsplash and housing feature fully welded, seamless corners.

Integral Basins are of a round design, (15-3/4" diameter x 5" deep) and include a satin finish. Basins include grid strainer, waste piping and 1-1/2" P-trap.

- **H Hand Operation** includes a pressure balancing mixing valve with backsplash mounted metering Air-Control pushbuttons and backsplash mounted stainless steel tubular spouts with a 0.5 GPM flow control.

- **SO Sensor Operation** includes individual solenoid valves activated by infrared sensors with a pressure balancing mixing valve and deck mounted stainless steel tubular spouts with a 0.5 GPM flow control. A plug-in transformer is included.

Pressure Balancing Mixing Valve delivers constant water flow by compensating for pressure fluctuations. Valve is to be field set to 105° Fahrenheit and includes checkstop and strainer assemblies. Operating range is 30 - 100 PSI.

Off-Floor Models include a trap enclosure to conceal hot and cold mixing valve assembly and P-trap. Enclosure is fabricated of heavy gage, type 304 stainless steel with a satin finish. Wall requires adequate backing to support Washbasin.

On-Floor Models include a pedestal base with stainless steel frame, stainless steel scuff panel and black vinylclad, galvanized steel enclosure. Enclosure conceals valves, piping, supply and waste connections. Pedestal base is wall mounted and supported on-floor. An Enclosed Bottom (- EB) is provided standard for On-Floor models.

- **PDM Pump Type Soap Dispenser** is optionally available for liquid and lotion type soaps. Dispensers (2) are deck mounted with an under-the-counter reservoir and top refill feature for ease of maintenance.

GUIDE SPECIFICATION

Meridian Stainless Steel Straight Front Two-Person Washbasin by Acorn (Specify model number and options). Unit with 34" standard height rim to conform with ANSI, UFAS and ADA Accessibility Standards. Washbasin to include (2) individual integral round basins (15-3/4" diameter x 5" deep). Basins, countertop, backsplash, apron and trap enclosure to be constructed of heavy gage, type 304 stainless steel with satin finish. Basins shall be located on 24" centers. Operation: (Specify) Provide pushbutton actuated Air-Control metering valves with backsplash mounted stainless steel tubular spouts. Washbasin to be furnished complete with the following: pressure balancing mixing valve, checkstops, supply and waste connections to the wall and 1-1/2" P-trap.

Meridian 3712: Meridian Stainless Steel Straight Front Dual-Basin - ADA Compliant



BASE MODEL NUMBER (Must Specify)

- 3712 Meridian Stainless Steel Straight Front Dual-Basin

FIXTURE MOUNTING & WASTE (Must Specify)

- 1 Off-Floor, Wall Outlet
- 2 On-Floor, Wall Outlet

OPERATION (Must Specify)

- 9 Less Spout and Valves (Only Available with - RLD and - TZ)
- H Hand Operation
- PBE Pushbutton Electronic Metering
- SO Sensor Operation (Deck Mounted Spouts Only)
- RLD Integral "D" Shape Basin Less Valves. Specify Punching Below.

VALVE PUNCHING (Specify When Valve by Others with - RLD and - TZ Basin with -9)

- H1 Single Hole Centered
- H24 Two Holes Centered 4" C/C
- H34 Three Holes 4" Centerset
- H38 Three Holes 8" Centerset

VALVE AND SPOUT OPTIONS

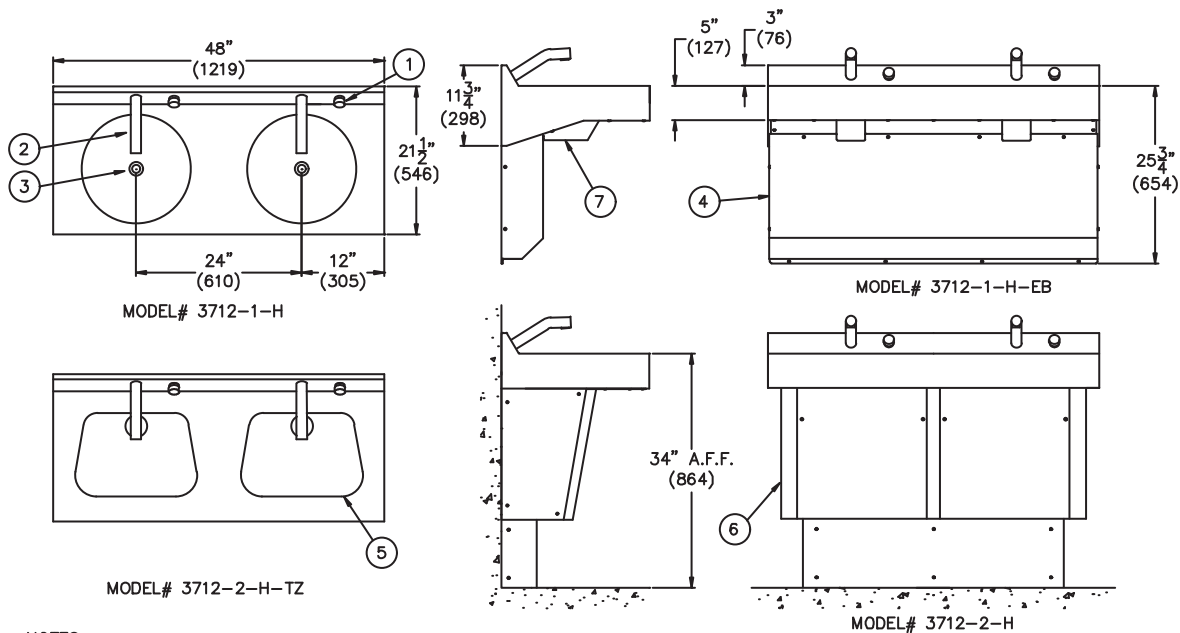
(Unit is provided standard with a backsplash mounted spout.)

- CSG 4" Centerset Faucet with Gooseneck Spout and Wristblade Handles (Only Available with - RLD and - TZ Basin with - H34)
- DMJ Deck Mounted "J" Spout
- DML Deck Mounted "L" Spout

Product Options

- BAT Battery Operated (- SO)
- DMP Deck Mounted Pushbutton
- EB Enclosed Bottom (Not Available with - SSN)
- ECL 10" Extended Countertop - Left Hand
- ECR 10" Extended Countertop - Right Hand
- EG Enviro-Glaze (Cabinet/Counter) Color: _____
- JH 30" Junior Rim Height (- 2 On-Floor Models Only)
- LE Less Trap Enclosure
- ME Marine Edge
- MXT Hot & Cold Thermostatic Mixing Valve
- OF Basin Overflow
- PDM Metering Liquid Soap Dispenser
- SLE Sloped Front Enclosure (-1 Off Floor Models Only; Must also specify -SPX or -VP below)
- SPX 16 Gage Stainless Steel Enclosure
- SSN 2-1/2" Stainless Steel Narrow Apron (- 1 Off-Floor Models Only)
- ST Single Temperature Valve
- TZ Trapezoidal Basin
- VP Vinylclad Enclosure - Specify: __ Black (Std.) __ Gray __ White

Please visit www.acorneng.com for most current specifications.



- NOTES:
1. Backsplash Mounted Pushbutton.
 2. Backsplash Mounted Spout.
 3. Grid Strainer With Close Elbow.

4. Trap Enclosure.
5. Optional -TZ Trapezoidal Basin.

6. On Floor Pedestal.
7. -EB Enclosed Bottom.

<p>Important: Installation instructions and current rough-in are furnished with each fixture. Do not rough in without certified dimensions. Dimensions are subject to manufacturer's tolerance of plus or minus 1/4" and change without notice. Acorn assumes no responsibility for use of void or superseded data. © Copyright 2007 Acorn Engineering Company</p>	
<p style="text-align: center;">Selection Summary</p> <p>Model No. & Option _____</p> <p>Quantity _____</p>	<p style="text-align: center;">Approved for Manufacturing</p> <p>Company _____ Title _____</p> <p>Signature _____ Date _____</p>