



Meridian 3752 Series Meridian Corterra Hi-Lo Dual-Basin - ADA Compliant



3752-1-HLR-SO

Fixture May Show Some Available Options

Please visit www.acorneng.com for most current specifications.

Meridian Corterra Hi-Lo Dual-Basin - ADA Compliant

Meridian Corterra Hi-Lo Dual-Basins are intended to be mounted to accommodate ADA or TAS guidelines as well as maintain provision for other able-bodied users. Hi-Lo washbasins are constructed of Corterra cast polyester resin and combine the look of granite and the feel of commercial-grade designer basins. Adequate wall backing is required to support this wall mount, off-floor washbasin fixture. When mounted at 34" from finished floor, one station would comply with ANSI, UFAS and ADA requirements. Alternatively the unit may be mounted at the TAS height recommended for the appropriate age group to comply with Texas Accessibility Standards for children. Compliance is subject to the interpretation and requirements of the local code authority.

Trap Enclosures are included and conceal hot & cold mixing valve, supply and waste connections. Enclosures are fabricated of 18 gage, type 304 stainless steel with a satin finish engineered to provide a profile that complies with both ADA & TAS.

Mounting Brackets are included and are of 11 gage galvanized steel with rear anchoring slots. Adequate wall backing is required.

Counter with Integral Basins are constructed of Corterra cast polyester resin. Fixture includes no-drip edges, integral overflow, grid strainers and continuous waste piping with single 1-1/2" P-trap.

- SO Sensor Operation is standard, ADA compliant and includes infrared spout, 0.5 GPM flow control, solenoid valve with a T/P balancing mixing valve. A plug-in transformer is included however, for optional battery operated sensors a battery box is provided.

T/P Balancing Mixing Valve is ASSE 1070 compliant and delivers constant water flow by compensating for temperature and pressure fluctuations. Valve is to be field set to 105° Fahrenheit and includes integral checks and screens to prevent cross-flow and contamination. Operating range is 30-100 PSI.

- PDM Pump Type Soap Dispenser is optionally available for liquid and lotion type soaps. Dispensers are deck mounted with under-the-counter reservoirs and top refill feature for ease of maintenance.

GUIDE SPECIFICATION

Meridian Corterra Hi-Lo Two-Person Washbasin by Acorn (Specify model number and options). Unit mounted with standard height conform with ANSI, UFAS and ADA Accessibility Standards. Washbasin and counter to be constructed of Corterra cast polyester resin and conform to ANSI Z124.3 and ANSI Z124.6 load ratings and include individual integral basins. Trap enclosures to be constructed of heavy gage, type 304 stainless steel with satin finish. Countertop and basins are constructed of Corterra solid surface material. Basins shall be located on 30" centers. Washbasin to be furnished complete with -SO Sensor Operation & provide solenoid actuated valves with deck mounted infrared spouts, temperature/pressure balancing mixing valve with integral checks and continuous waste with 1-1/2" single P-trap.



Meridian 3752: Meridian Corterra Hi-Lo Dual-Basin - ADA Compliant

BASE MODEL NUMBER (Must Specify)

3752 Meridian Corterra Hi-Lo Dual-Basin

FIXTURE MOUNTING & WASTE (Must Specify)

- 1 Off-Floor, Wall Outlet

DECK / BASIN CONFIGURATION

- HLR Hi-Lo-Right Side Hi Deck Configuration

- HLL Hi-Lo-Left Side Hi Deck Configuration

OPERATION (Must Specify)

- 9 Less Spout and Valves
(Must Specify Punching if Required)

- BAT-SO Battery Operated Sensor Operation
with Deck Mounted Spout & ASSE 1070
T/P Valve

- H Hand Operation with Deck Mounted
Pushbutton

- SO Sensor Operation (Standard) with
Deck Mounted Spout & ASSE 1070
T/P Valve

VALVE PUNCHING FOR VALVE BY OTHERS

(1-5/16" Diameter Hole Punching)

- H1 Single Hole Centered

- H24 Two Holes Centered 4" C/C

- H34 Three Holes 4" Centerset

- H36 Three Holes 6" Radial Placement

Product Options

- EG Enviro-Glaze (Enclosure)

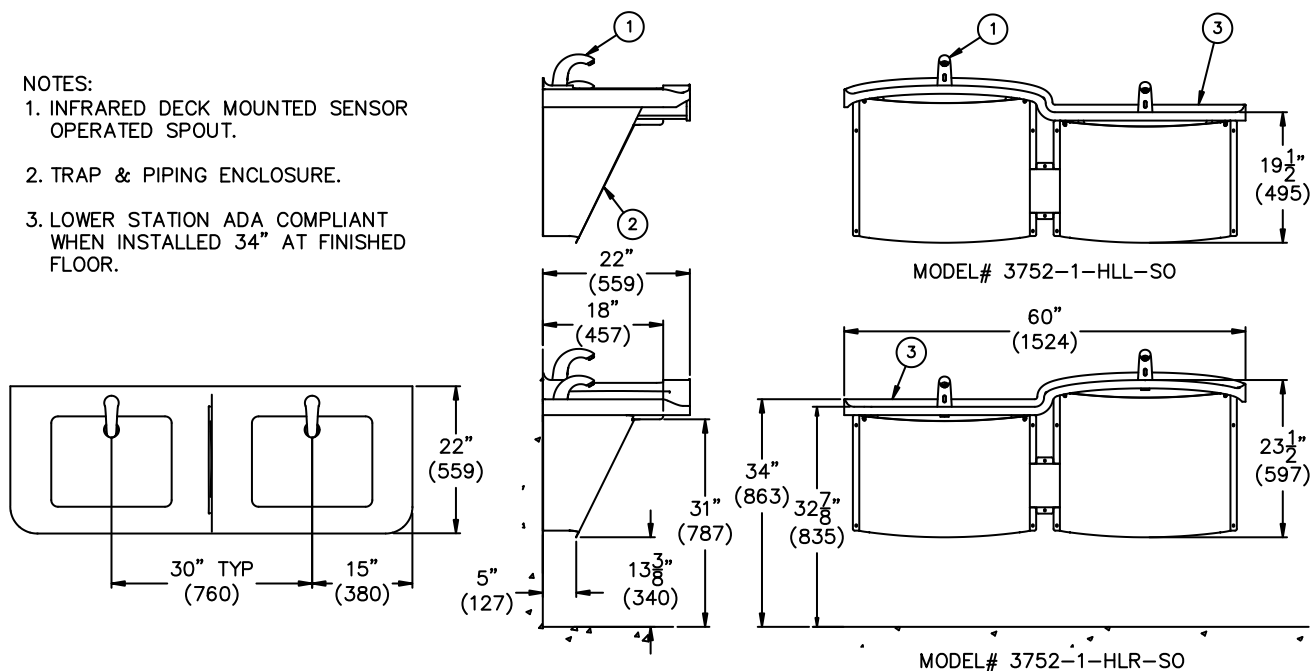
Color: _____

- PDM Metering Liquid Soap Dispenser

- OCC Optional Corterra Color - Specify: _____

- ST Single Temperature Valve

Please visit www.acorneng.com
for most current specifications.



<p>Important: Installation instructions and current rough-in are furnished with each fixture. Do not rough in without certified dimensions. Dimensions are subject to manufacturer's tolerance of plus or minus 1/4" and change without notice. Acorn assumes no responsibility for use of void or superseded data. © Copyright 2008 Acorn Engineering Company</p>	
<p>Selection Summary</p> <p>Model No. & Option _____</p> <p>Quantity _____</p>	<p>Approved for Manufacturing</p> <p>Company _____ Title _____</p> <p>Signature _____ Date _____</p>