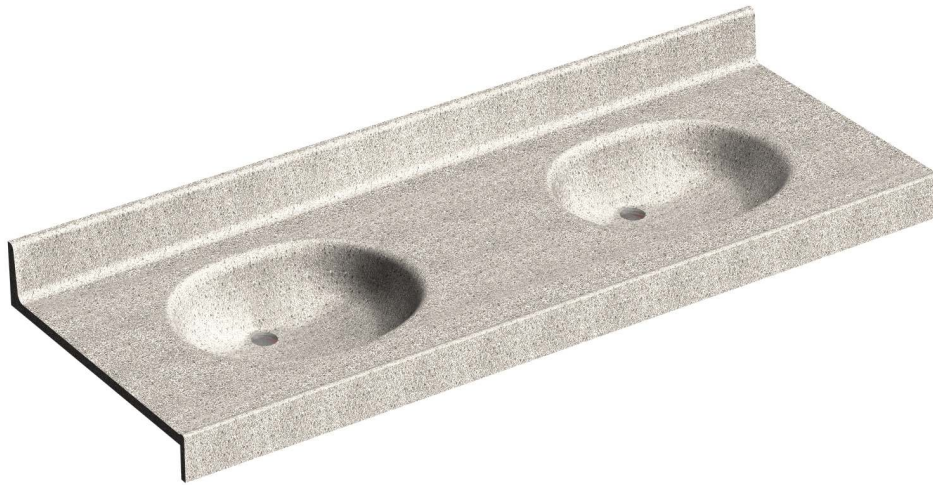




Meridian 3762 Series Two Station Meridian Corterra™ Counter-Lav



3762-SM

Fixture May Show Some Available Options

Please visit www.acorneng.com for most current specifications.

Two Station Meridian Corterra™ Counter-Lav

Meridian Corterra™ Counter-Lavs combine the look of granite countertops with the feel of designer basins. These commercial grade fixtures provide both the durability and economy of group fixtures. Additionally, the Corterra™ Counter-Lavs provide a single source specification for all faucets, basins, countertops and drain fittings. Standard units are provided as countertops only without basins or openings. Each Corterra™ Counter-Lav complies with ANSI, UFAS and ADA requirements. Compliance is subject to the interpretation and requirements of the local code authority.

Countertops are constructed of Corterra™ cast polyester resin and conform with ANSI Z124.3 and ANSI Z124.6 load ratings. Countertops include a front bullnose edge and a 4" high backsplash that is shipped loose for field installation by others. Extended countertop options such as the – ECL Extended Countertop Left and – ECR Extended Countertop Right that results in overall dimensions greater than 120" will require two piece construction for joining in the field by others. Countertops are optionally available with side splash and side apron. See options for available color selections.

Basins are optionally available and are constructed of Corterra™ cast polyester resin. Basins include an integral overflow and may be specified with color to match or contrast countertop. Drop-In stainless steel basins are also available.

Mixing Valves and Spouts are optionally available to provide a metered, tempered water supply to each basin. Spouts may be specified for Hand or Sensor operation and are intended for use with the optional valve assemblies. Hand operated mixing valves feature Metering Air-Control valves. Mixing valves include a checkstop and strainer assembly. Controls meet ANSI, UFAS and ADA requirements.

- PDM Pump Type Soap Dispenser is optionally available for liquid and lotion type soaps. Dispensers are deck mounted with an under-the-counter reservoir and top refill feature for ease of maintenance. Not available with - H1, - H34 or - H38 options. Dispensers meet ANSI, UFAS and ADA requirements.

GUIDE SPECIFICATION

Provide and install Corterra™ Counter-Lav by Acorn (Specify model number and options). Units installed at 34" standard rim height to conform with ANSI, UFAS and ADA requirements. Countertop and integral basin to be constructed of Corterra™ cast polyester resin (with aluminum trihydrate and other fillers) and shall conform with ANSI Z124.3 and ANSI Z124.6 load ratings. (Specify color). Basins to include individual, integral overflows. Counter-Lav to be provided complete with the following: thermostatic mixing valve assembly, deck mounted spouts, pushbuttons and individual P-traps.



Meridian 3762: Two Station Meridian Corterra™ Counter-Lav

BASE MODEL NUMBER (Must Specify)

- 3762 Meridian Corterra™ Counter-Lav - (60"x22" Counter)

COUNTER COLOR SELECTION (Must Specify)

- OCC Corterra™ Color - Specify: _____

COLOR / MATERIAL OF BOWL (Must Specify)

- Less Bowl and Cut Out (Standard)
- SM Same Color/Material as Corterra™ Counter-Lav
- OCC02 Iverstone (White) Corterra™
- OCC03 Sahara (Tan) Corterra™
- RLD Drop-in "D" Shape Stainless Steel Basin (- H38 Not Available)

OPERATION

(Standard Unit Provided Less Holes or Faucet)

- CSG 4" Centerset Faucet w/Gooseneck Spout & Wristblade Handles
- H-DMJ Hand Operation with Deck Mounted J Spout (Includes Deck Mounted Metering Air-Control Pushbutton)
- H-DML Hand Operation with Deck Mounted L Spout (Includes Deck Mounted Metering Air-Control Pushbutton)
- SO-DMJ Sensor Operation with Deck Mounted J Spout
- SO-DML Sensor Operation with Deck Mounted L Spout

VALVE PUNCHING FOR VALVE BY OTHERS

(1-5/16" Diameter Hole Punching)

- H1 Single Hole Centered
- H34 Three Holes 4" Centerset
- H38 Three Holes 8" Centerset

VALVE OPTIONS (Standard Unit Provided Less Valves.

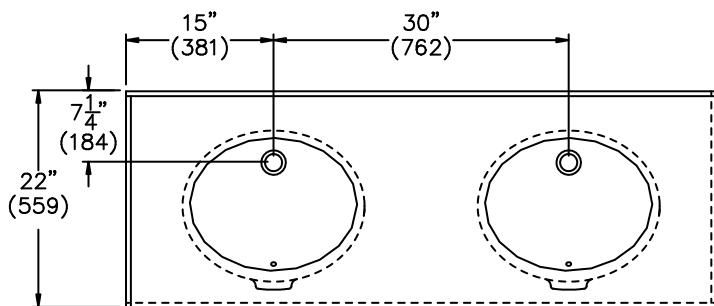
Must Specify with -H or -SO Operation)

- MXP H & C Pressure Balancing Mixing Valve
- MXT H & C Temperature Balancing Mixing Valve

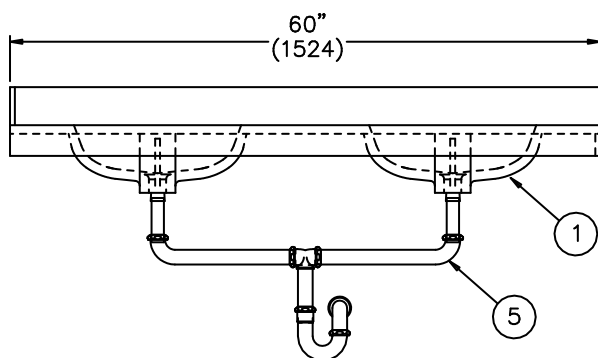
Product Options

- BAT Battery Operated (- SO)
- CW Combined Waste (1 P-trap Waste)
- ECL Extended Countertop Extension- Left Hand - Specify: _____" (144" Max. Overall)
- ECR Extended Countertop Extension- Right Hand - Specify: _____" (144" Max. Overall)
- LBS Less Back Splash
- LC Mounting Sleeve for Wall Carrier (By Others)
- LSA Left Side Apron
- LSS Left Side Splash
- MF Mirror Finish Basin (- RLD Basin Option Only)
- PDM Metering Liquid Soap Dispenser (Not Available with - H34, - H38 or - H1 Options)
- RSA Right Side Apron
- RSS Right Side Splash
- TPT Individual P-Traps

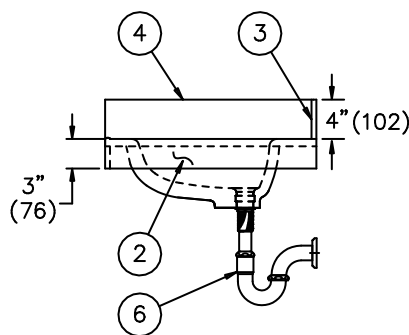
Please visit www.acorneng.com for most current specifications.



1. Optional -SM Corterra Bowl.
2. Optional -RSA Right Side Apron.
3. Backsplash Shipped Loose.
4. Optional -LSS Left Side Splash.
5. Optional -CW Combined Waste.
6. Optional -TPT Individual P-Traps.



MODEL # 3762-SM-CW-LSS-RSA



MODEL # 3762-SM-TPT-LSS-RSA

<p>Important: Installation instructions and current rough-in are furnished with each fixture. Do not rough in without certified dimensions. Dimensions are subject to manufacturer's tolerance of plus or minus 1/4" and change without notice. Acorn assumes no responsibility for use of void or superseded data. © Copyright 2006 Acorn Engineering Company</p>	
<p style="text-align: center;">Selection Summary</p> <p>Model No. & Option _____</p> <p>Quantity _____</p>	<p style="text-align: center;">Approved for Manufacturing</p> <p>Company _____ Title _____</p> <p>Signature _____ Date _____</p>