



## Meridian 3771 Series

Meridian Corterra™ Curved Front Uni-Basin - ADA Compliant



3771-1-SO

Fixture May Show Some Available Options

Please visit [www.acorneng.com](http://www.acorneng.com) for most current specifications.

## Meridian Corterra™ Curved Front Uni-Basin - ADA Compliant

**Meridian Corterra™ Curved Front Uni-Basins** are engineered to combine the look and feel of commercial-grade designer basins and countertops with the durability and economy of group fixtures. Each standard height Washbasin complies with ANSI, UFAS and ADA requirements. Compliance is subject to the interpretation and requirements of the local code authority.

**Countertop, Basin and Integral Sprayhead** are constructed of Corterra™ cast polyester resin (with aluminum trihydrate and other fillers) and conform with ANSI Z124.3 and ANSI Z124.6. Standard color furnished is Smoky Granite Gray. See options for available color selections. Integral sprayhead includes an access panel and vandal resistant spray nozzle. Basin includes overflow, grid strainer, waste piping and 1-1/2" P-trap.

- **H Hand Operation** includes a pressure balancing mixing valve, integral sprayhead with a 0.5 GPM flow control and a metering Air-Control deck mounted pushbutton.

- **SO Sensor Operation** includes an individual solenoid valve activated by an infrared sensor with a pressure balancing mixing valve and integral sprayhead with a 0.5 GPM flow control. A plug-in transformer is included.

**Pressure Balancing Mixing Valve** delivers constant water flow by compensating for pressure fluctuations. Valve is to be field set to 105° Fahrenheit and includes checkstop and strainer assemblies. Operating range is 30 - 100 PSI.

**Off-Floor Models** include a trap enclosure to conceal hot and cold mixing valve assembly and P-trap with 14 gage stainless steel frame and gray vinylclad, galvanized steel enclosure. Washbasin conforms to ANSI Z124.3 and ANSI Z124.6 load ratings. Wall requires adequate backing to support Washbasin.

**On-Floor Models** include a pedestal base with 14 gage stainless steel frame, stainless steel scuff panel, and gray vinylclad, galvanized steel enclosure. Enclosure conceals valves, piping, supply and waste connections. Washbasin base conforms to ANSI Z124.3 and ANSI Z124.6 load ratings. Pedestal Base is wall mounted and supported on-floor.

- **PDM Pump Type Soap Dispenser** is optionally available for liquid and lotion type soaps. Dispenser is deck mounted with an under-the-counter reservoir and top refill feature for ease of maintenance.

### GUIDE SPECIFICATION

Meridian Corterra™ Curved Front One-Person Washbasin by Acorn (Specify model number and options). Unit with 34" standard height rim to conform with ANSI, UFAS and ADA Accessibility Standards. Provide integral round basin (15-3/4" x 5" deep) each with an integral, rear overflow. Basin, countertop, backsplash and sprayhead to be constructed of (Specify color) Corterra™ cast polyester resin (with aluminum trihydrate and other fillers). Washbasin shall conform to ANSI Z124.3 and ANSI Z124.6. Spray nozzle to be vandal resistant. Provide sprayhead access panel. Wall mounted pedestal frame to be constructed of heavy gage, stainless steel and shall conform to ANSI Z124.3 and ANSI Z124.6 load ratings. Enclosure to be constructed of vinylclad galvanized steel. Provide heavy gage, type 304 stainless steel scuff panel. Operation: (Specify) Provide individual solenoid valve activated by infrared sensor with plug-in transformer. Washbasin to be furnished complete with the following: pressure balancing mixing valve, checkstops, supply and waste connections to the wall and 1-1/2" P-trap.

# Meridian 3771: Meridian Corterra™ Curved Front Uni-Basin - ADA Compliant



## BASE MODEL NUMBER (Must Specify)

- 3771 Meridian Corterra™ Curved Front Uni-Basin

## FIXTURE MOUNTING & WASTE (Must Specify)

- 1 Off-Floor, Wall Outlet
- 2 On-Floor, Wall Outlet

## OPERATION (Must Specify)

- 9 Less Sprayhead and Valves  
(Only Available with - RLD Basin)
- H Hand Operation
- PBE Pushbutton Electronic Metering
- SO Sensor Operation
- RLD Molded-in "D" Shape Corterra Basin  
Less Sprayhead, Less Valves.  
Specify Punching Below

## VALVE PUNCHING

(Specify When Valve by Others with - RLD Basin and - 9)

- H1 Single Hole Centered
- H24 Two Holes Centered 4" C/C
- H34 Three Holes 4" Centerset
- H38 Three Holes 8" Centerset

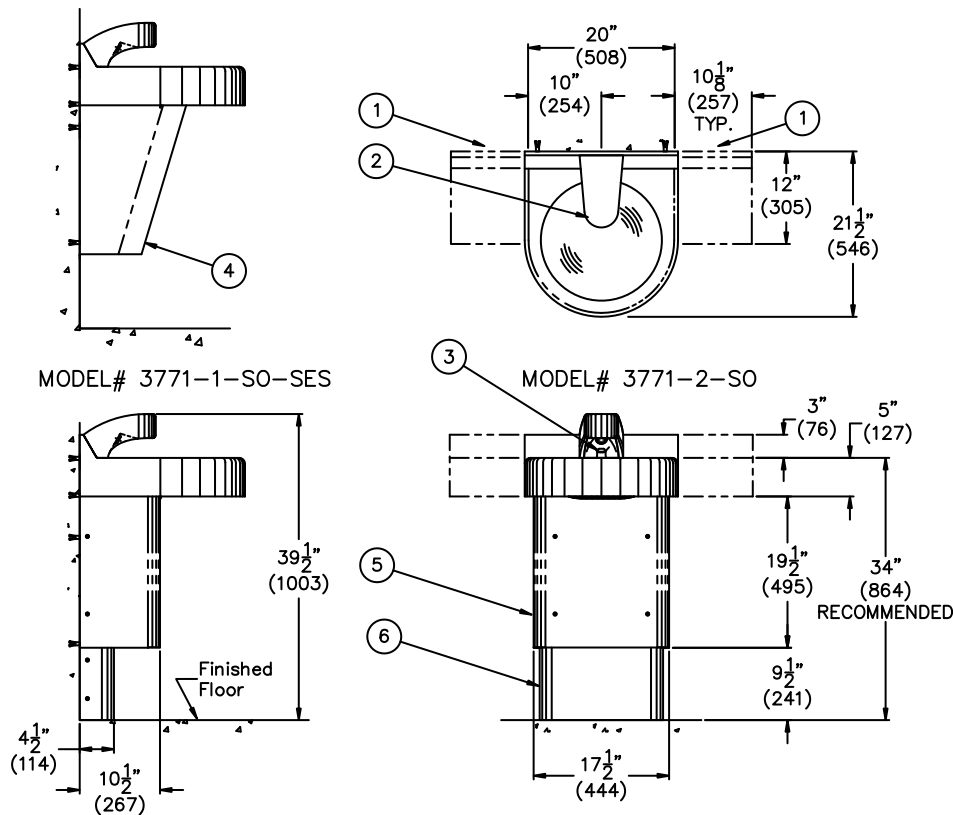
## VALVE OPTIONS

- CSG 4" Centerset Faucet with  
Gooseneck Spout and Wristblade Handles  
(Only Available with - RLD Basin & - H34)

## Product Options

- BAT Battery Operated (- SO)
- ECL 10" Extended Countertop - Left Hand
- ECR 10" Extended Countertop - Right Hand
- JH 30" Junior Rim Height
- LSA Left Side Apron (Only Available with - ECL)
- LSS Left Side Splash (Only Available with - ECL)
- MXT Hot & Cold Thermostatic Mixing Valve
- OCC Optional Corterra™ Color - Specify: \_\_\_\_\_
- PDM Metering Liquid Soap Dispenser
- RSA Right Side Apron (Only Available with - ECR)
- RSS Right Side Splash (Only Available with - ECR)
- SES Scalloped Enclosure Style
- SPX 16 Gage Stainless Steel Enclosure
- ST Single Temperature Valve
- VP Vinylclad Enclosure -  
Specify: \_\_ Gray (Std.) \_\_ Black \_\_ White

Please visit [www.acorneng.com](http://www.acorneng.com)  
for most current specifications.



- NOTES:
1. Optional -EC Extended Countertop.
  2. Integral Sprayhead.
  3. -SO Sensor Operation.
  4. Optional -SES Scalloped Enclosure.
  5. On Floor Pedestal.
  6. Stainless Steel Scuff Panel.

<p><b>Important:</b> Installation instructions and current rough-in are furnished with each fixture. Do not rough in without certified dimensions. Dimensions are subject to manufacturer's tolerance of plus or minus 1/4" and change without notice. Acorn assumes no responsibility for use of void or superseded data. © Copyright 2007 Acorn Engineering Company</p>	
<p style="text-align: center;"><b>Selection Summary</b></p> <p>Model No. &amp; Option _____</p> <p>Quantity _____</p>	<p style="text-align: center;"><b>Approved for Manufacturing</b></p> <p>Company _____ Title _____</p> <p>Signature _____ Date _____</p>