



Meridian 3791 Series

Corterra Kurve One-Person Washbasin - ADA Compliant



3791-RO-1-SO-DV

Fixture May Show Some Available Options

Please visit www.acorneng.com for most current specifications.

Meridian Corterra Kurve One-Person Washbasin - ADA Compliant

Meridian Corterra Kurve Washbasins are engineered to combine the look and feel of commercial-grade designer basins and countertops with the durability and economy of group fixtures. Each standard height Washbasin complies with ANSI, UFAS and ADA requirements. When installed with appropriate lower rim height, Washbasin complies with Provisions for Children of Texas Accessibility Standards (TAS). Compliance is subject to the interpretation and requirements of the local code authority.

Countertop, Basin and Sprayhead Shelf are constructed of Corterra cast polyester resin (with aluminum trihydrate and other fillers) and conform with ANSI Z124.3 and ANSI Z124.6. Standard color furnished is Smoky Granite Gray. See options for available color selections. Sprayhead is fabricated of heavy gage type 304 stainless steel and includes vandal resistant 0.5 GPM flow control spray nozzle. Basin includes overflow, grid strainer, waste piping and 1-1/2" P-trap.

- **H Hand Operation** includes a pressure balancing mixing valve with a pushbutton operating an Air-Control metering valve.

- **SO Sensor Operation** includes a pressure balancing mixing valve with a solenoid valve activated by an infrared sensor. A plug-in transformer is included.

Pressure Balancing Mixing Valve delivers constant water flow by compensating for pressure fluctuations. Valve is to be field set to 105° Fahrenheit and includes checkstop and strainer assemblies. Operating range is 30 - 100 PSI.

Bottom Enclosure provided to conceal hot and cold mixing valve assembly and p-trap. Enclosure frame assembly and panels are fabricated of heavy gage type 304 stainless steel with exposed surfaces polished to a satin finish. Bottom enclosure has a top joggle that draws the basin and sprayhead assembly to the wall when engaged over it during installation. Washbasin conforms to ANSI Z124.3 and ANSI Z124.6 load ratings. Wall requires adequate backing to support Washbasin.

- **DV Gravity Type Soap Dispenser** is optionally available for liquid and lotion type soaps. Dispenser is mounted on the underside of the type 304 stainless steel sprayhead assembly. The 1/2 gallon stainless steel soap reservoir is inside the sprayhead with a top refill feature in the top shelf for ease of maintenance.

GUIDE SPECIFICATION

Meridian Corterra Kurve One-Person Washbasin by Acorn (Specify model number and options). Unit with 34" standard height rim to conform with ANSI, UFAS and ADA Accessibility Standards. Unit with appropriately lowered rim height to comply with TAS Provisions for Children. Provide integral basin with integral, rear overflow. Basin, countertop and top sprayhead shelf cover constructed of (Specify color) Corterra cast polyester resin (with aluminum trihydrate and other fillers). Washbasin shall conform to ANSI Z124.3 and ANSI Z124.6. Vandal resistant spray nozzle shall be mounted onto the underside of the type 304 stainless steel sprayhead assembly. Wall mounted bottom enclosure to be constructed of heavy gage, type 304 stainless steel and shall conform to ANSI Z124.3 and ANSI Z124.6 load ratings. Basin and sprayhead assembly shall be held tight to the wall by engagement with joggle on the bottom enclosure. Operation: (Specify) Provide individual solenoid valve activated by infrared sensor with plug-in transformer. Washbasin to be furnished complete with the following: pressure balancing mixing valve, checkstops, supply and waste connections to the wall and 1-1/2" P-trap.

Meridian 3791: Corterra Kurve One-Person Washbasin - ADA Compliant



BASE MODEL NUMBER (Must Specify)

- 3791 Meridian Corterra Kurve One-Person Washbasin

OFFSET (Must Specify)

- LO Left Offset
- RO Right Offset

FIXTURE MOUNTING & WASTE (Must Specify)

- 1 Off-Floor, Wall Outlet

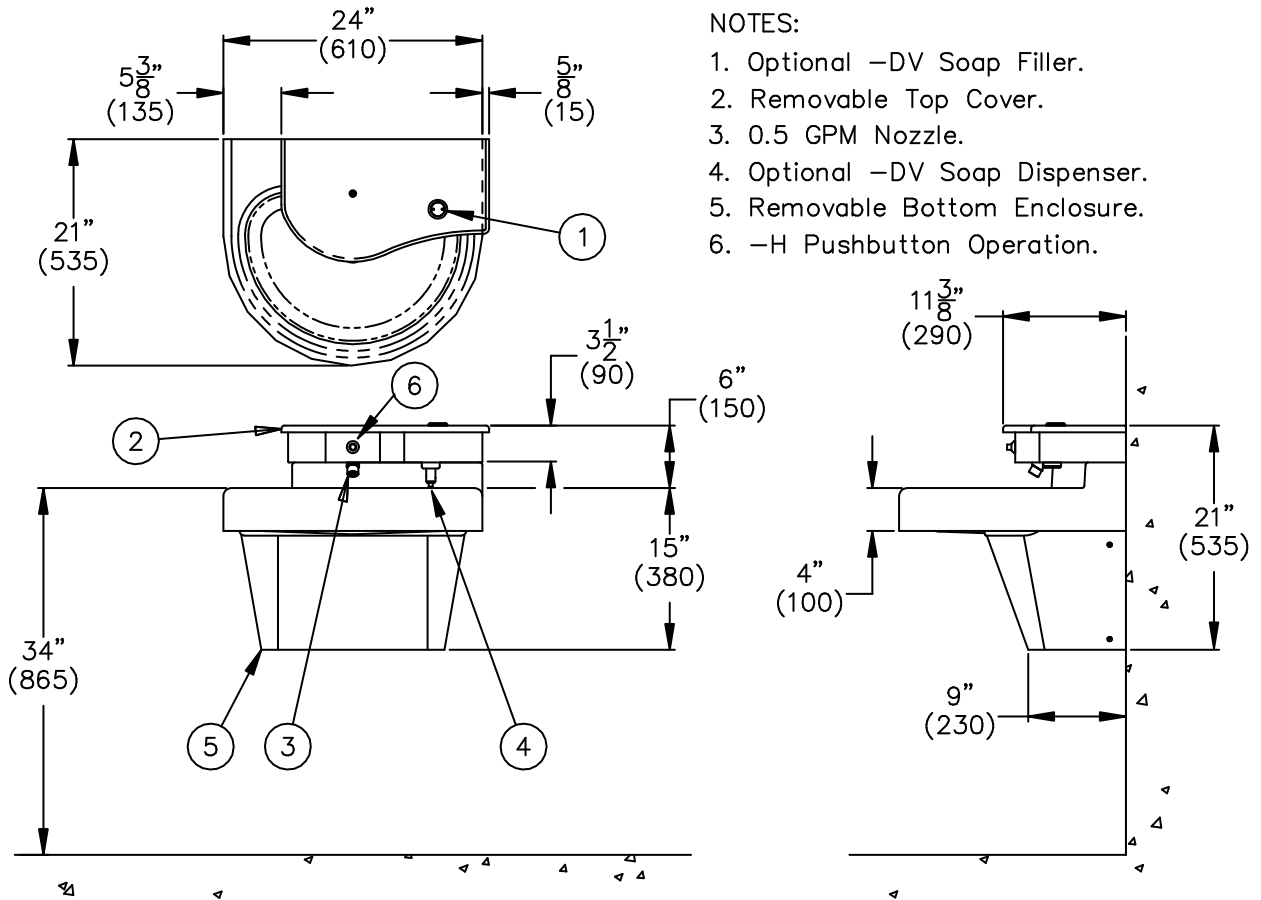
OPERATION (Must Specify)

- H Hand Operation
- PBE Pushbutton Electronic Metering
- SO Sensor Operation

PRODUCT OPTIONS

- BAT Battery Operated (-SO)
- DV Liquid/Lotion Soap Dispenser
- LWP Less Waste Piping
- MXT Hot & Cold Thermostatic Mixing Valve
- OCC Optional Corterra Color - Specify: _____
- ST Single Temperature Valve

Please visit www.acorneng.com for most current specifications.



NOTES:

1. Optional -DV Soap Filler.
2. Removable Top Cover.
3. 0.5 GPM Nozzle.
4. Optional -DV Soap Dispenser.
5. Removable Bottom Enclosure.
6. -H Pushbutton Operation.

MODEL# 3791-RO-1-H-DV

<p>Important: Installation instructions and current rough-in are furnished with each fixture. Do not rough in without certified dimensions. Dimensions are subject to manufacturer's tolerance of plus or minus 1/4" and change without notice. Acorn assumes no responsibility for use of void or superseded data. © Copyright 2007 Acorn Engineering Company</p>	
<p style="text-align: center;">Selection Summary</p> <p>Model No. & Option _____</p> <p>Quantity _____</p>	<p style="text-align: center;">Approved for Manufacturing</p> <p>Company _____ Title _____</p> <p>Signature _____ Date _____</p>