



## Penal-Ware® 1418FA Series

18" Lav-Toilet Comby - Front Access



1418-FA-CT-2-BP-04

Fixture May Show Some Available Options

Please visit [www.acorneng.com](http://www.acorneng.com) for most current specifications.

### 18" Lav-Toilet Comby - Front Access

Fixture is factory piped, tested, and arranged to be installed on finished wall through access panels. Panels are located on front and side of cabinet and are secured with tamper-resistant screws. Back of fixture is provided with six mounting points as well as supply and waste connections. Fixture is fabricated from 14 gage, type 304 stainless steel cabinet and toilet bowl polished to a satin finish. The inside of the toilet bowl also has a satin finish. Optional Wall Sleeve is recommended to provide greater access to make up plumbing connections. Front Access fixtures are only available with On-Floor models.

**Lavatory Bowl.** Standard Oval Bowl is 14-3/4" x 9-1/2" x 5" deep. Oval Bowl Models do not have toiletry shelf. Optional Multi-Sided Bowl is 12-3/4" x 8-1/4" x 5" deep. Multi-Sided Bowl Models with a centered toilet have a large toiletry shelf. Models with angled toilets have a slightly smaller toiletry shelf. Standard P-trap waste outlet is 1-1/2" O.D. plain end.

**Toilet** is blowout jet type with elongated bowl manufactured to ANSI 112.19.2M requirements and requires a minimum of 35 PSI flow pressure. Toilet uses a water consumption of 1.6 gallons per flush or less. Trap has a minimum 3-1/2" seal and will pass a 2-1/8" ball. Toilet waste outlet is Gasketed Waste.

**Optional Valve** may be an Air-Control pneumatically operated, pushbutton valve using atmospheric air. Pushbutton is vandal-resistant and requires less than 5 pounds to activate valve. Valve is direct acting, non-metering type and is optionally available as metering with non-hold open feature. Metering valve timing is adjustable from 5 to 60 seconds. Valve includes a 0.5 GPM flow control. Valve conforms with the lead free requirements of NSF61, Section 9, 1997.

**Regularly Furnished** items include a hydraulic flush valve, a fast drain, a removable P-trap, an integral self-draining soap dish, and mounting hardware. Wall anchors by others.

#### GUIDE SPECIFICATION

Provide and install Acorn Penal-Ware 18" wide Lav-Toilet Comby - Front Access (specify model number and options), factory piped, tested, and arranged to be installed on finished wall through access panels. Fixture shall have factory installed Air-Control lavatory valve and a hydraulic flush valve. Provide Air-Control pneumatically operated pushbutton valve. Valve to conform with NSF61, Section 9, 1997 lead free requirements. Fixture shall be fabricated from type 304 stainless steel. Construction shall be seamless welded and exposed surfaces shall have a satin finish. Access panels shall be secured with tamper-resistant screws. Countertop shall have an air-circulating, self-draining soap dish. Toilet shall be concealed blowout jet type with an elongated bowl, a self-draining flushing rim, and an integral contoured seat. Toilet shall meet ANSI 112.19.2M requirements, using an average water consumption of 1.6 gallons per flush or less. Toilet trap shall have a minimum 3-1/2" seal that shall pass a 2-1/8" diameter ball and be fully enclosed. Cabinet interior is sound-deadened with fire-resistant material. Fixture shall be furnished with necessary fasteners for proper installation.



# Penal-Ware® 1418FA: 18" Lav-Toilet Comby - Front Access

**WALL THICKNESS AND TYPE (Must Specify)**  
 Thickness \_\_\_\_\_ Type:  Concrete  Block  Steel

**MODEL AND OPTIONS SELECTION**  
**BASE MODEL NUMBER**  
 1418-FA 18" Lav-Toilet Comby - Front Access

**TOILET ORIENTATION (Must Specify)**  
 - AL Angled Left  
 - AR Angled Right  
 - CT Centered Toilet

**FIXTURE MOUNTING AND WASTE (Must Specify)**  
 - 2 On-Floor, Wall Outlet  
 - 3 On-Floor, Floor Outlet

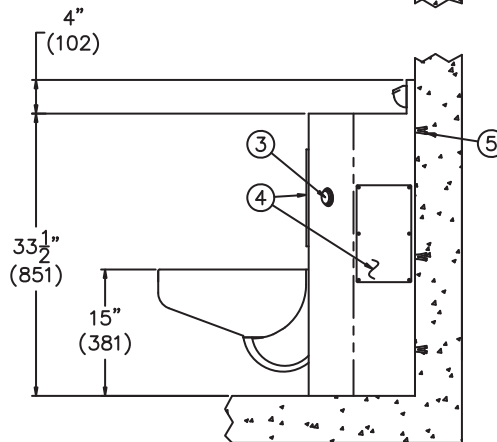
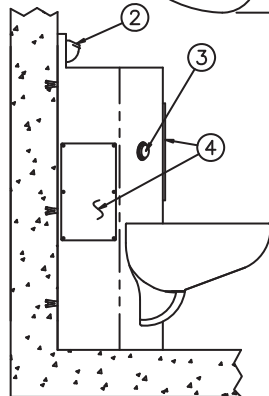
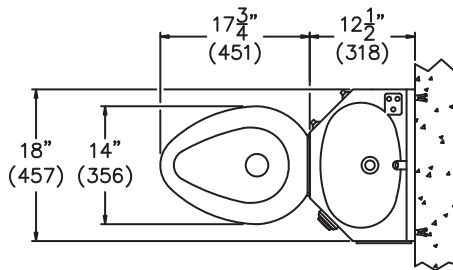
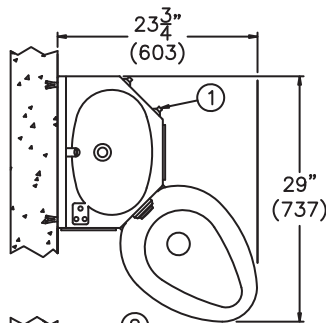
**BUBBLER SELECTION (Must Specify)**  
 - BC Bubbler, Code  
 - BP Bubbler, Penal  
 - BPH Hemispherical Penal Bubbler  
 - LF Lav-Filler

**VALVE SELECTION (Must Specify)**  
 - 03 Air-Control, Single Temperature  
 - 04 Air-Control, H & C  
 - 09 Punched for Valve by Others (Specify Punching)  
 - EVS1 Electronic Valve System - Single Temp  
 - EVS2 Electronic Valve System - Hot & Cold  
 - MVC1 Time-Trol - Single Temp  
 - MVC1-BAT Time-Trol - Single Temp Battery Operated  
 - MVC2 Time-Trol - Hot & Cold  
 - MVC2-BAT Time-Trol - Hot & Cold Battery Operated

**FLUSH VALVE REQUIREMENTS (Must Specify)**  
 - Hydraulic \_\_\_\_\_ -1.6 GPF \_\_\_\_\_ -3.5 GPF  
 \_\_\_\_\_ -EVSFV \_\_\_\_\_ -MVCFV

**Product Options**  
 - CW Combined Waste  
 - EG Enviro-Glaze, Specify Color: \_\_\_\_\_  
 - Exterior Only (Not Inside Bowl)  
 - Exterior & Inside Bowl  
 - FMT Fixture Mounted Trim  
 - FT Flood-Trol (Manual Reset)  
 - FTA Flood-Trol Auto-reset  
 - FTE Flood-Trol Electronic  
 - HPS High Polish Seat #7 Finish  
 - HS Hinged Seat  
 - IS Integral Shelf  
 - LPFV Less Punching for Flush Valve  
 - M Metering  
 - MH Metering, Hot Side Only  
 - MT Metal Template (Only 1 Required Per Project)  
 - OF Lavatory Overflow  
 - PBH Hemispherical Pushbutton  
 - PH Paper Holder \_L \_R \_C \_LF \_RF  
 - SPS Suicide Prevention Skirt  
 - SW Wall Sleeve  
 - TB Toothbrush Holder \_Left \_Right  
 - TF Transformer: 120VAC to 24VAC  
 - TG 12 Gage Cabinet  
 - TH Towel Hook \_Single \_Double \_Left \_Right  
 - TSC Toilet Shipping Cover  
 - VAC AcornVac System  
 - VG1 Ventilation Grille, 5-3/4" x 8-3/4"  
 \_\_\_\_\_\_L \_\_\_\_\_\_R \_\_\_\_\_\_LF \_\_\_\_\_\_RF  
 - WO3 3" Toilet P-Trap (3.5 GPF Only)

Please visit [www.acorneng.com](http://www.acorneng.com) for most current specifications.



**NOTES:**

1. OPTIONAL -04 HOT & COLD LAVY PUSHBUTTONS SHOWN
2. OPTIONAL -BP PENAL BUBBLER
3. HYDRAULIC FLUSHVALVE PUSHBUTTON
4. ACCESS PANELS
5. WALL ANCHORS PROVIDED BY OTHERS

1418-FA-AL-2-BP-04 SHOWN. -AR OPPOSITE.

1418-FA-CT-1-BP-04

**Important:** Installation instructions and current rough-in are furnished with each fixture. Do not rough in without certified dimensions. Dimensions are subject to manufacturer's tolerance of plus or minus 1/4" and change without notice. Acorn assumes no responsibility for use of void or superseded data. © Copyright 2008 Acorn Engineering Company

<p style="text-align: center;">Selection Summary</p> <p>Model No. &amp; Option _____</p> <p>Quantity _____</p>	<p style="text-align: center;">Approved for Manufacturing</p> <p>Company _____ Title _____</p> <p>Signature _____ Date _____</p>
--	--