



Penal-Ware® 1418LMBFA Series

18" Lav-Toilet Comby with Lavatory Multi-Sided Bowl - Front Access



1418-LMBFA-AL-2-BP-04-FV-PH



1418-LMBFA-CT-2-BP-04-FV-PH

Fixture May Show Some Available Options

Please visit www.acorneng.com for most current specifications.

18" Lav-Toilet Comby with Lavatory Multi-Sided Bowl

Fixture is factory piped, tested, and arranged to be installed on finished wall through access panels. Panels are located on front and side of cabinet and are secured with tamper-resistant screws. Back of fixture is provided with six mounting points as well as supply and waste connections. Fixture is fabricated from 14 gage, type 304 stainless steel cabinet and toilet bowl polished to a satin finish. The inside of the toilet bowl also has a satin finish. Optional Wall Sleeve is recommended to provide greater access to make up plumbing connections. Front Access fixtures are only available with On-Floor models.

Lavatory Multi-Sided Bowl is 12-3/4" x 8-1/4" x 5" deep. Standard elbow waste outlet is 1-1/2" O.D. plain end.

Optional Valve may be an Air-Control pneumatically operated, pushbutton valve using atmospheric air. Pushbutton is vandal-resistant and requires less than 5 pounds to activate valve. Valve is direct acting, non-metering type and is optionally available as metering with non-hold open feature. Metering valve timing is adjustable from 5 to 60 seconds. Valve includes a 0.5 GPM flow control and can be remotely located up to 10 feet from the operating pushbutton. Valve conforms with the lead free requirements of NSF61, Section 9, 1997.

Toilet is blowout jet type with elongated bowl manufactured to ANSI 112.19.2M requirements and requires a minimum of 35 PSI flow pressure. Toilet uses a water consumption of 1.6 gallons per flush or less. Trap has a minimum of 3-1/2" seal and will pass a 2-1/8" ball. Toilet waste outlet is Gasketed Waste.

Regularly Furnished items include a hydraulic flush valve, fast drain, a removable P-trap, an integral self-draining soap dish, and mounting hardware. Wall anchors by others.

GUIDE SPECIFICATION

Provide and install Acorn Penal-Ware 18" wide Lav-Toilet Comby - Front Access (specify model number and options), factory piped, tested, and arranged to be installed on finished wall through access panels. Fixture shall have factory installed Air-Control lavatory valve and a hydraulic flush valve. Provide Air-Control pneumatically operated pushbutton valve. Valve to conform with NSF61, Section 9, 1997 lead free requirements. Fixture shall be fabricated from type 304 stainless steel. Construction shall be seamless welded and exposed surfaces shall have a satin finish. Access panels shall be secured with tamper-resistant screws. Countertop shall have an air-circulating, self-draining soap dish. Toilet shall be concealed blowout jet type with an elongated bowl, a self-draining flushing rim, and an integral contoured seat. Toilet shall meet ANSI 112.19.2M requirements, using an average water consumption of 1.6 gallons per flush or less. Toilet trap shall have a minimum 3-1/2" seal that shall pass a 2-1/8" diameter ball and be fully enclosed. Cabinet interior is sound-deadened with fire-resistant material. Fixture shall be furnished with necessary fasteners for proper installation.

Penal-Ware® 1418LMBFA: 18" Lav-Toilet Comby with Lavatory Multi-Sided Bowl-Front Access



WALL THICKNESS AND TYPE (Must Specify)

Thickness _____ Type: ___ Concrete ___ Block ___ Steel

MODEL AND OPTIONS SELECTION:

BASE MODEL NUMBER

1418-LMB 18" Lav-Toilet Comby-Multi-Sided Bowl

TOILET ORIENTATION (Must Specify)

- AL Angled Left
- AR Angled Right
- CT Centered Toilet -Left Hand Lavy
- CT Centered Toilet - Right Hand Lavy

FIXTURE MOUNTING AND WASTE (Must Specify)

- 2 On-Floor, Wall Outlet
- 3 On-Floor, Floor Outlet

BUBBLER SELECTION (Must Specify)

- BC Bubbler, Code
- BP Bubbler, Penal
- BPH Hemispherical Penal Bubbler
- LF Lav-Filler

VALVE SELECTION (Must Specify)

- 03 Air-Control, Single Temperature
- 04 Air-Control, H & C
- 09 Punched for Valve by Others (Specify Punching)
- EVS1 Electronic Valve System - Single Temp
- EVS2 Electronic Valve System - Hot & Cold
- MVC1 Time-Trol - Single Temp
- MVC1-BAT Time-Trol - Single Temp Battery Operated
- MVC2 Time-Trol - Hot & Cold
- MVC2-BAT Time-Trol - Hot & Cold Battery Operated

FLUSH VALVE GPF's (Must Specify)

- 1.6 GPF
- 3.5 GPF

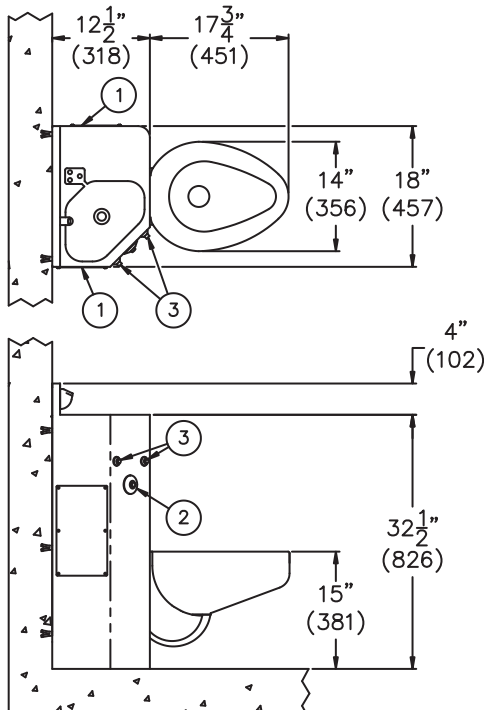
FLUSH VALVE OPTIONS (Must Specify)

- Flush Valve by Others
- EVSFV Master-Trol Flush Valve
- FVH Flush Valve Hydraulic
- MVCFV Time-Trol Flush Valve

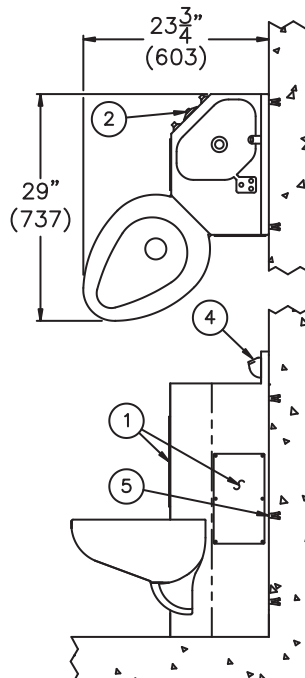
Product Options (Must Specify)

- CW Combined Waste
- EG Enviro-Glaze, Specify Color _____
 - Exterior Only (Not Inside Bowl)
 - Exterior & Inside Bowl)
- FMT Fixture Mounted Trim
- FT Flood-Trol
- FTA Flood-Trol, Auto-Reset
- FTE Flood-Trol, Electronic
- FVO Flush Valve Opposite Toilet
- HPS High Polish Seat #7 Finish
- HS Hinged Seat
- IS Integral Shelf
- LPFV Less Punching for Flush Valve
- M Metering
- MH Metering, Hot Side Only
- MT Metal Template (Only 1 Required Per Project)
- OF Lavatory Overflow
- PBH Hemispherical Pushbutton
- PH Paper Holder ___L ___R ___C ___LF ___RF
- SPS Suicide Prevention Skirt
- SW Wall Sleeve
- TB Toothbrush Holder ___Left ___Right
- TF Transformer, 120VAC to 24VAC
- TG 12 Gage Cabinet
- TH Towel Hook ___Single ___Double ___Left ___Right
- TSC Toilet Shipping Cover
- VAC Acorn Vac System
- VG1 Ventilation Grille, 5-3/4" x 8-3/4" ___L ___R
- WO3 3" Toilet P-Trap (3.5 GPF Only)

Please visit www.acorneng.com for most current specifications.



1418-LMB-FA-CT-2-BP-04



1418-LMB-FA-AR-2-BP-04

NOTES:

1. Access Panels.
2. Flush Valve Pushbutton.
3. Lavy Valve Pushbuttons.
4. Lavy Bubbler.
5. Wall Mounting Anchors (By Others).

Important: Installation instructions and current rough-in are furnished with each fixture. Do not rough in without certified dimensions. Dimensions are subject to manufacturer's tolerance of plus or minus 1/4" and change without notice. Acorn assumes no responsibility for use of void or superseded data. © Copyright 2008 Acorn Engineering Company

Selection Summary

Model No. & Option _____

Quantity _____

Approved for Manufacturing

Company _____ Title _____

Signature _____ Date _____