



Penal-Ware® 1420LRB Series

20" Lav-Toilet Comby with Lavatory Rectangular Bowl



1420-LRB-LO-2-BP-04-FV-PH

1420-LRB-AL-2-BP-04-FV-PH

Fixture May Show Some Available Options

Please visit www.acorneng.com for most current specifications.

20" Lav-Toilet Comby with Lavatory Rectangular Bowl

Fixture is arranged to be installed on finished wall and serviced from an accessible pipe chase. Optional Wall Sleeve or Metal Template is recommended for all installations for required wall openings. Fixture is fabricated from 14 gage, type 304 stainless steel cabinet and toilet bowl and is seamless welded construction with a satin finish. The inside of the toilet bowl has a satin finish. Cabinet interior is sound-deadened with fire-resistant material. There are no accessible voids or crevices where contraband can be concealed.

Lavatory Rectangular Bowl. Bowl is 14-1/2" x 9-1/2" x 5" deep. Standard elbow waste outlet is 1-1/2" O.D. plain end.

Optional Valve may be an Air-Control pneumatically operated, pushbutton valve using atmospheric air. Pushbutton is vandal-resistant and requires less than 5 pounds to activate valve. Valve is direct acting, non-metering type and is optionally available as metering with non-hold open feature. Metering valve timing is adjustable from 5 to 60 seconds. Valve includes a 0.5 GPM flow control and can be remotely located up to 10 feet from the operating pushbutton. Valve conforms with the lead free requirements of NSF61, Section 9, 1997.

Toilet is blowout jet type with elongated bowl manufactured to ANSI 112.19.2M requirements and requires a minimum of 35 PSI flow pressure. Toilet uses a water consumption of 1.6 gallons per flush or less. Trap has a minimum 3-1/2" seal and will pass a 2-1/8" ball. Toilet waste outlet is 2-3/8" diameter plain end extending 3" beyond the fixture for wall outlet or Gasketed Waste for floor outlet.

Regularly Furnished items include a fast drain, an integral self-draining soap dish, and mounting hardware for walls up to 8" thick.

GUIDE SPECIFICATION

Provide and install Acorn Penal-Ware 20" wide Lav-Toilet Comby (specify model number and options). Fixture shall be fabricated from type 304 stainless steel. Construction shall be seamless welded and exposed surfaces shall have a satin finish. Countertop shall have an air-circulating, self-draining soap dish. Provide Air-Control pneumatically operated pushbutton valve. Valve to conform with NSF61, Section 9, 1997 lead free requirements. Toilet shall be concealed blowout jet type with an elongated bowl, a self-draining flushing rim, and an integral contoured seat. Toilet shall meet ANSI 112.19.2M requirements, using an average water consumption of 1.6 gallons per flush or less. Toilet trap shall have a minimum 3-1/2" seal that shall pass a 2-1/8" diameter ball and be fully enclosed. Cabinet interior is sound-deadened with fire-resistant material. Fixture shall withstand loadings of 5,000 pounds without permanent damage. Fixture shall be furnished with necessary fasteners for proper installation.

Penal-Ware® 1420LRB: 20" Lav-Toilet Comby with Lavatory Rectangular Bowl



WALL THICKNESS AND TYPE (Must Specify)

Thickness _____ Type: Concrete Block Steel

MODEL AND OPTIONS SELECTION:

BASE MODEL NUMBER

1420-LRB 20" Lav-Toilet Comby -Lavatory Rectangular Bowl

TOILET ORIENTATION (Must Specify)

- AL Angled Left
- AR Angled Right
- LO Left Offset
- RO Right Offset

FIXTURE MOUNTING AND WASTE (Must Specify)

- 1 Off-Floor, Wall Outlet
- 2 On-Floor, Wall Outlet
- 3 On-Floor, Floor Outlet

BUBBLER SELECTION (Must Specify)

- BC Bubbler, Code
- BP Bubbler, Penal
- BPH Hemispherical Penal Bubbler
- LF Lav-Filler

VALVE SELECTION (Must Specify)

- 03 Air-Control, Single Temperature
- 04 Air-Control, H & C
- 09 Punched for Valve by Others (Specify Punching)
- EVS1 Electronic Valve System - Single Temp
- EVS2 Electronic Valve System - Hot & Cold
- MVC1 Time-Trol - Single Temp
- MVC1-BAT Time-Trol - Single Temp
- MVC2 Time-Trol - Hot & Cold
- MVC2-BAT Time-Trol - Hot & Cold

FLUSH VALVE GPF's (Must Specify)

- 1.6 GPF
- 3.5 GPF

FLUSH VALVE OPTIONS (Must Specify)

- Flush Valve by Others
- EVSFV Master-Trol Flush Valve
- FV Flush Valve
- FVH Flush Valve Hydraulic
- MVCFV Time-Trol Flush Valve

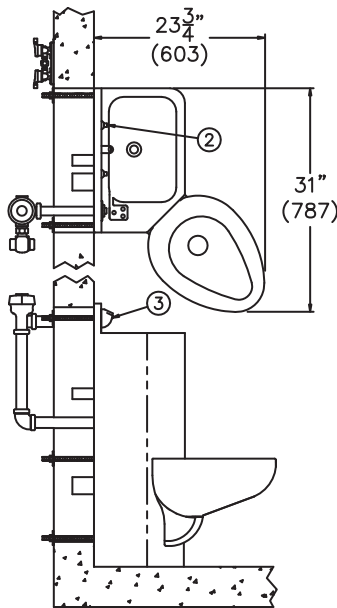
Product Options (Must Specify)

- CO1 Cleanout w/O-Ring Connection to No-Hub 4" (-PE Only)
- CO1-3 Cleanout w/ O-Ring Connection to No-Hub 3" (-PE Only, N/A with -WO3)

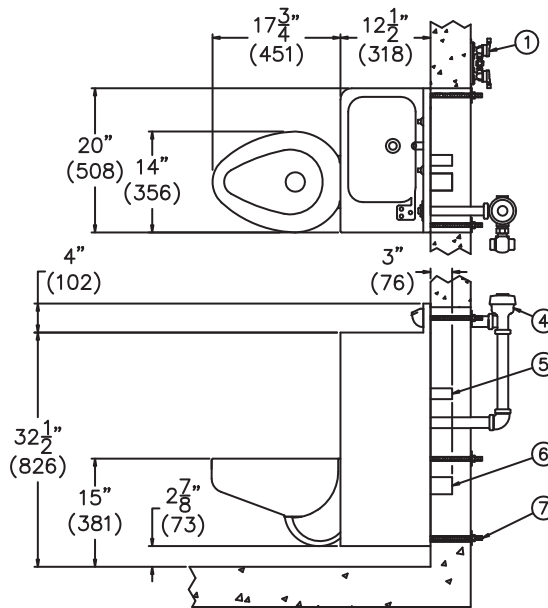
Product Options (cont.)

- COH Cleanout Hook Assembly
- CW Combined Waste
- EG Enviro-Glaze, Specify Color _____
- Exterior Only (Not Inside Bowl)
- Exterior & Inside Bowl
- FMT Fixture Mounted Trim
- FT Flood-Trol
- FTA Flood-Trol, Auto-Reset
- FTE Flood-Trol, Electronic
- FVO Flush Valve Opposite Toilet
- FVT Flush Valve Thru Wall Connector
- GW Gasketed Toilet Waste
- HPS High Polish Seat #7 Finish
- HS Hinged Seat
- IS Integral Shelf
- LPFV Less Punching for Flush Valve
- LW1 Lavy Thru-Wall Extension with P-Trap
- LWE Lavy Waste Extension (3" Standard) Specify Length Beyond Fixture _____
- M Metering
- MA Manifolded Valve 2 3 4
- MH Metering, Hot Side Only
- MT Metal Template (Only 1 Required Per Project)
- OF Lavatory Overflow
- PBH Hemispherical Pushbutton
- PBP Pushrod Activated Pushbutton
- PC Pinned Cleanout Plug
- PH Paper Holder L R C L F R F
- PT P-Trap Waste
- SPS Suicide Prevention Skirt
- SW Wall Sleeve
- TB Toothbrush Holder Left Right
- TF Transformer, 120VAC to 24VAC
- TG 12 Gage Cabinet
- TH Towel Hook Single Double Left Right
- TSC Toilet Shipping Cover
- TWE Toilet Waste Extension (3" Standard) Specify Length Beyond fixture _____
- VAC Acorn Vac System
- VG3 Ventilation Grille, 8-3/4" x 8-3/4" L R
- VG4 Ventilation Grille, 8-3/4" x 17" (Bottom Only)
- WO3 3" Toilet P-Trap (3.5 GPF Only)
- WO3B 3" Bell Waste Outlet

Please visit www.acorneng.com for most current specifications.



1420-LRB-AL-2-BP-04 SHOWN.



1420-LRB-RO-1-BP-04 SHOWN. -LO OPPOSITE.

NOTES:

1. OPTIONAL -04 HOT & COLD AIR-CONTROL VALVE SHOWN.
2. LAVY VALVE PUSHBUTTONS.
3. OPTIONAL LAVY -BP PENAL BUBBLER SHOWN.
4. OPTIONAL -FV FLUSH VALVE SHOWN.
5. LAVY WASTE OUTLET.
6. TOILET WASTE OUTLET.
7. WALL MOUNTING HARDWARE.

Important: Installation instructions and current rough-in are furnished with each fixture. Do not rough in without certified dimensions. Dimensions are subject to manufacturer's tolerance of plus or minus 1/4" and change without notice. Acorn assumes no responsibility for use of void or superseded data. © Copyright 2008 Acorn Engineering Company

Selection Summary	
Model No. & Option _____	
Quantity _____	

Approved for Manufacturing	
Company _____	Title _____
Signature _____	Date _____