



Penal-Ware® 1428FA Series

28" Lav-Toilet - Handicap Comby -Front Access (Non-ADA Compliant)



1428-FA-RO-2-DMS-04-PH

Fixture May Show Some Available Options

Please visit www.acorneng.com for most current specifications.

28" Lav-Toilet - Handicap Comby - Front Access (Non-ADA Compliant)

Fixture is arranged to be installed on finished wall and serviced from the front through removable access openings. Fixture is fabricated from 14 gage, type 304 stainless steel cabinet and toilet bowl, polished to a satin finish. The inside of the toilet bowl also has a satin finish. Cabinet interior is sound-deadened with fire-resistant material. Access panels are provided to complete installation, service flush valve and lavy valve pushbuttons. Optional Wall Sleeve is recommended for all installations to provide required wall openings. This unit does not conform to the requirements of the ADA Accessibility Guidelines. Front access fixtures are only available with On-Floor models.

Lavatory Oval Bowl is 14-3/4" x 9-1/2" x 5" deep. Standard P-trap waste outlet is 1-1/2" O.D. plain end.

Optional Valve may be an Air-Control pneumatically operated, pushbutton valve using atmospheric air. Pushbutton is vandal-resistant and requires less than 5 pounds to activate valve. Valve is direct acting, non-metering type and is optionally available as metering with non-hold open feature. Metering valve timing is adjustable from 5 to 60 seconds. Valve includes a 1.4 GPM flow control and can be remotely located up to 10 feet from the operating pushbutton. Lavatory spout is deck mounted. Valve conforms with the lead free requirements of NSF61, Section 9, 1997.

Toilet is blowout jet type with elongated bowl manufactured to ANSI 112.19.2M requirements and requires a minimum of 35 PSI flow pressure. Toilet uses a water consumption of 1.6 gallons per flush or less. Trap has a minimum of 3-1/2" seal and will pass a 2-1/8" ball. Toilet waste outlet is Gasketed Waste.

Regularly Furnished items include factory installed Air-Control lavatory valve, a hydraulic flush valve, a fast drain, a removable P-trap, and mounting hardware. Wall anchors by others.

GUIDE SPECIFICATION

Provide and install Acorn Penal-Ware 28" wide Handicap Lav-Toilet Comby - Front Access (specify model number and options). Fixture shall be factory piped, tested, and arranged to be installed on finished wall through access panels. Fixture shall have factory installed Air-Control lavatory valve and a hydraulic flush valve. Provide Air-Control pneumatically operated pushbutton valve. Valve to conform with NSF61, Section 9, 1997 lead free requirements. Fixture shall be fabricated from type 304 stainless steel. Construction shall be seamless welded and exposed surfaces shall have a satin finish. Access Panels shall be secured with tamper-resistant screws. Toilet shall be concealed blowout jet type with an elongated bowl, a self-draining flushing rim, and an integral contoured seat. Toilet shall meet ANSI 112.19.2M requirements, using an average water consumption of 1.6 gallons per flush or less. Toilet trap shall have a minimum 3-1/2" seal that shall pass a 2-1/8" diameter ball and be fully enclosed. Cabinet interior is sound-deadened with fire-resistant material. Fixture shall be furnished with all necessary fasteners for proper installation.



Penal-Ware® 1428FA: 28" Lav-Toilet - Handicap Comby -Front Access (Non-ADA Compliant)

WALL THICKNESS AND TYPE (Must Specify)

Thickness _____ Type: ___ Concrete ___ Block ___ Steel

BASE MODEL NUMBER

1428-FA 28" Handicapped Lav-Toilet Comby

TOILET ORIENTATION (Must Specify)

- AL Angled Left
- AR Angled Right
- LO Left Offset
- RO Right Offset

FIXTURE MOUNTING AND WASTE (Must Specify)

- 2 On-Floor, Wall Outlet
- 3 On-Floor, Floor Outlet

SPOUT SELECTION (Must Specify)

- DMS Deck Mounted Spout
- DMB Deck Mounted Bubbler (In Lieu of Spout)
 - ___ -BP Penal Bubbler ___ - BC Code Bubbler
 - ___ -BPH Hemispherical Penal Bubbler

VALVE SELECTION (Must Specify)

- 03 Air-Control, Single Temperature
- 04 Air-Control, H & C
- 09 Punched for Valve by Others (Specify Punching)
- EVS1 Electronic Valve System - Single Temp
- EVS2 Electronic Valve System - Hot & Cold
- MVC1 Time-Trol - Single Temp
- MVC2 Time-Trol - Hot & Cold

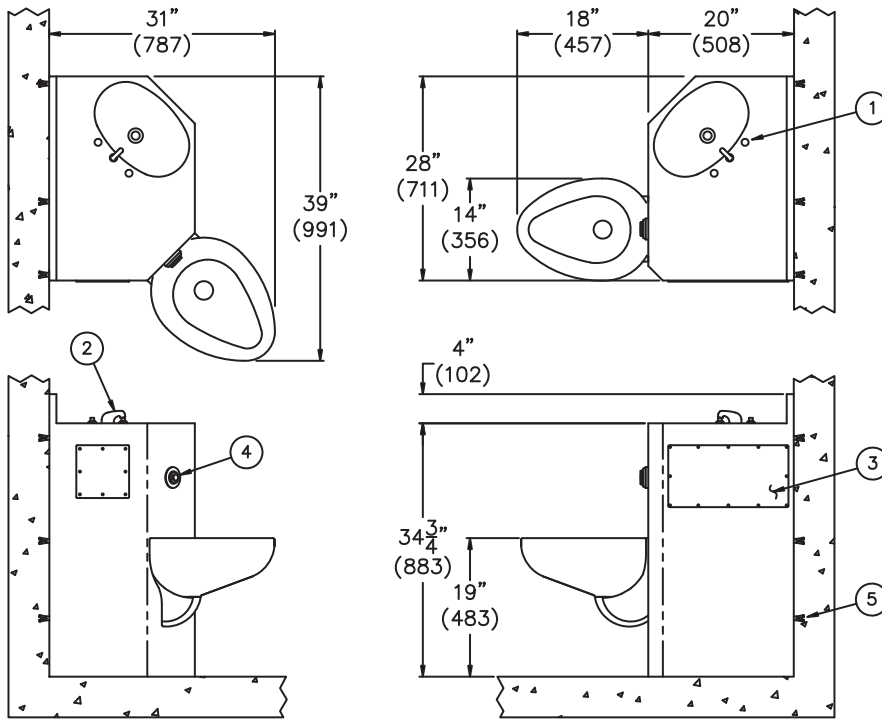
FLUSH VALVE REQUIREMENTS (Must Specify)

- Hydraulic _____ -1.6 GPF _____ -3.5 GPF
- _____ -EVSFV _____ -MVCFV

Product Options

- CW Combined Waste
- EG Enviro-Glaze, Specify Color: _____
 - Exterior Only (Not Inside Bowl)
 - Exterior & Inside Bowl
- FMT Fixture Mounted Trim
- FT Flood-Trol (Manual Reset)
- FTA Flood-Trol Auto-reset
- FTE Flood-Trol Electronic
- HPS High Polish Seat #7 Finish
- HS Hinged Seat
- IS Integral Shelf
- LPFV Less Punching for Flush Valve
- M Metering
- MH Metering, Hot Side Only
- MT Metal Template (Only 1 Required Per Project)
- OF Lavatory Overflow
- PBH Hemispherical Pushbutton
- PH Paper Holder ___ L ___ R ___Front (-AL/AR Only)
- SPS Suicide Prevention Skirt
- SW Wall Sleeve
- TB Toothbrush Holder ___Left ___Right
- TF Transformer, 120VAC to 24VAC
- TG 12 Gage Cabinet
- TH Towel Hook ___Single ___Double ___Left ___Right
- TSC Toilet Shipping Cover
- VAC Acorn Vac System
- VG1 Ventilation Grille, 5-34" x 8-3/4" ___L ___R
- VG3 Ventilation Grille, 8-3/4" x 8-3/4" ___L ___R
- WO3 3" Toilet P-Trap (3.5 GPF Only)

Please visit www.acorneng.com for most current specifications.



NOTES:

1. Deck Mounted Pushbuttons.
2. Deck Mounted Spout.
3. Access Panel.
4. Flush Valve Pushbutton.
5. Wall Mounting Anchors (By Others).

1428-FA-AL-2-BP-04 Shown. -AR Opposite.

1428-FA-RO-2-BP-04

<p>Important: Installation instructions and current rough-in are furnished with each fixture. Do not rough in without certified dimensions. Dimensions are subject to manufacturer's tolerance of plus or minus 1/4" and change without notice. Acorn assumes no responsibility for use of void or superseded data. © Copyright 2008 Acorn Engineering Company</p>	
<p style="text-align: center;">Selection Summary</p> <p>Model No. & Option _____</p> <p>Quantity _____</p>	<p style="text-align: center;">Approved for Manufacturing</p> <p>Company _____ Title _____</p> <p>Signature _____ Date _____</p>