



Penal-Ware® 1432ALAR Series

ADA Compliant - Compact Lav/Toilet Comby - Angled Toilet Bowl - Angled Lavy



1432-AL-2-BP-04

Fixture May Show Some Available Options

Please visit www.acorneng.com for most current specifications.

ADA Compliant - Compact Lav/Toilet Comby - Angled Toilet Bowl - Angled Lavy

Fixture is arranged to be installed on finished wall and serviced from an accessible pipe chase. Fixture is fabricated with 14 gage type 304 stainless steel cabinet and toilet bowl and is seamless welded construction with a satin finish. The inside of the toilet bowl also has a satin finish. Cabinet interior is sound deadened with a fire resistant material. Optional Wall Sleeve or Metal Template is recommended for all installations to provide required wall openings. Unit complies with ANSI, UFAS and ADA requirements. Compliance is subject to the interpretation and requirements of the local code authority.

Lavatory Oval Bowl is 9-3/4" x 13-1/2" x 5" deep. Standard elbow waste outlet is 1-1/2" OD plain end.

Optional Lavatory Valve may be an Air-Control pneumatically operated, pushbutton valve with 0.5 GPM flow control. Pushbutton requires less than 5 lbs. to activate valve. Valve is metering, non-hold open type. Timing is from 5 to 60 seconds. Valve can be remotely located up to 10 feet from the operating pushbutton. Valve complies with the lead free requirements of NSF 61, Section 9-1997.

Toilet is blowout jet type with elongated bowl manufactured to ANSI 112.19.2M requirements and requires a minimum of 35 PSI flow pressure. It uses a water consumption of 1.6 gallons per flush or less. Trap has a minimum 3-1/2" seal and will pass a 2-1/8" ball. Toilet waste outlet is 2-3/8" diameter plain end, extending 3" beyond the fixture for wall outlet, and Gasket Waste for floor outlet. Unit is provided with a hydraulically actuated flush valve (shipped loose).

Grab Bar is heavy gage type 304 stainless steel construction, 1-1/2" diameter x 36" long. Grab bar is positioned behind toilet and is field installed to wall and to side of lavy cabinet.

GUIDE SPECIFICATION

Provide and install Acorn Penal-Ware ADA Compact Compliant Lav/Toilet-Comby-Angled Toilet Bowl-Angled Lavy (specify model number and options). Unit shall conform with ANSI, UFAS and ADA requirements. Fixture shall be fabricated from type 304 stainless steel. Construction shall be seamless welded and exposed surfaces shall have a satin finish. Provide 36" long stainless steel grab bar to be located behind toilet. Fixture shall have an Air-Control pneumatically operated, metering, non-hold open pushbutton valve. Valve shall require less than 5 lbs. to activate. Valve to comply with NSF 61, Section 9-1997 lead free requirements. Toilet shall be concealed blowout jet type with an elongated bowl, a self-draining flushing rim and an integral contoured seat. Toilet shall meet ANSI 112.19.2M requirements, using an average water consumption of 1.6 gallons per flush or less. Toilet trap shall have a minimum 3-1/2" seal that shall pass a 2-1/8" diameter ball and be fully enclosed. Cabinet interior is to be sound deadened with fire-resistant material. Fixture shall be furnished with necessary fasteners for proper installation.



Penal-Ware® 1432ALAR: ADA Compliant - Compact Lav/Toilet Comby - Angled Toilet Bowl - Angled Lavy

WALL THICKNESS AND TYPE (Must Specify)

Thickness _____ Type: Concrete Block _____

MODEL AND OPTIONS SELECTION:

BASE MODEL NUMBER

1432 ADA Compact Lav/Toilet Comby - ADA Compliant

TOILET ORIENTATION (Must Specify)

- AL Angled Left
- AR Angled Right

FIXTURE MOUNTING AND WASTE (Must Specify)

- 1 Off-Floor, Wall Outlet
- 2 On-Floor, Wall Outlet
- 3 On-Floor, Floor Outlet

BUBBLER SELECTION (Must Specify)

- BC Bubbler, Code
- BP Bubbler, Penal
- BPH Hemispherical Penal Bubbler
- LF Lav-Filler

VALVE SELECTION (Must Specify)

- 03 Air-Control, Single Temperature
- 04 Air-Control, H & C
- EVS1 Electronic Valve System - Single Temp
- EVS2 Electronic Valve System - Hot & Cold
- MVC1 Time-Trol - Single Temp
- MVC2 Time-Trol - Hot & Cold

FLUSH VALVE REQUIREMENTS

- Hydraulic 1.6 GPF 3.5 GPF
- EVSV -MVCFV

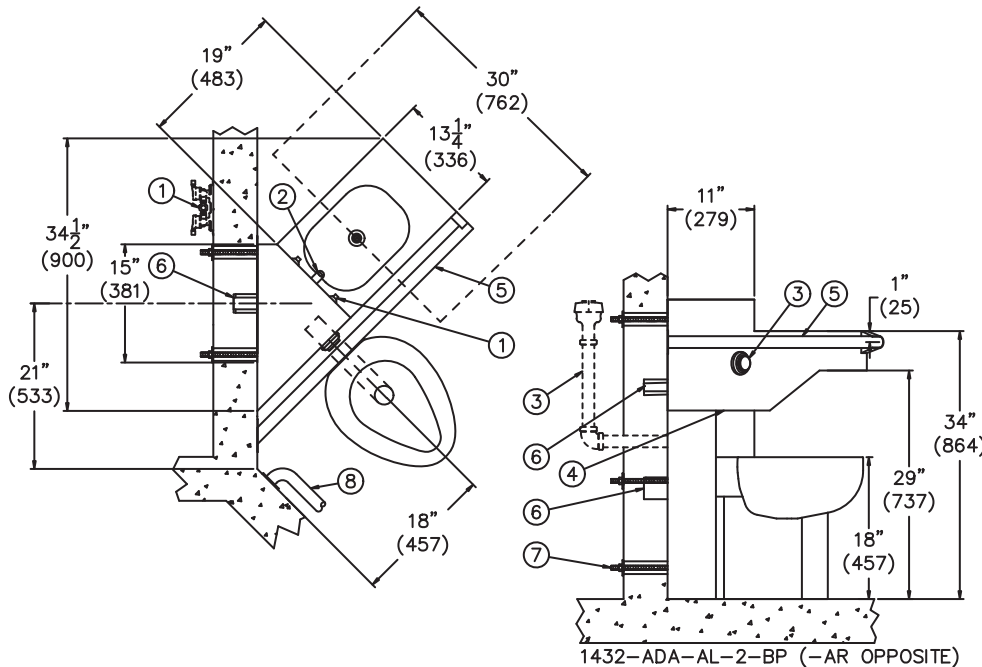
Product Options

- CO1 Cleanout with O-Ring Connection to: 3" 4"
- COH Cleanout Hook Assembly
- CW Combined Waste
- EG Enviro-Glaze, Specify Color: _____
 - Exterior Only (Not Inside Bowl)
 - Exterior & Inside Bowl
- FMT Fixture Mounted Trim
- FT Flood-Trol
- FTA Flood-Trol, Auto-Reset

Product Options (cont.)

- FTE Flood-Trol, Electronic
- FVT Flush Valve Thru Wall Connector
- GBC Grab Bar Closure Plate
- GBC2 Grab Bar and Lavy Closure Plate
- GW Gasketed Toilet Waste
- HPS High Polish Seat, #7 Finish
- HS Hinged Seat
- LGB Less Grab Bar
- LPFV Less Punching for Flush Valve
- LW1 Lavy Thru-Wall Extension with P-Trap
- LWE Lavy Waste Extension (3" Standard)
 - Specify Length Beyond Fixture _____
- MA Manifolded Valve 2 3 4
- MT Metal Template (Only 1 Required Per Project)
- OF Lavatory Overflow
- PBH Hemispherical Pushbutton
- PC Pinned Cleanout Plug
- PH Paper Holder (Same Side as Toilet)
- PT 1-1/2" Removable P-Trap Waste
- SPS Suicide Prevention Skirt (On-Floor Model Only)
- SW Wall Sleeve
- TB Toothbrush Holder (Lavy Housing Opposite Grab Bar)
 - Single Double
- TF Transformer, 120VAC to 24VAC
- TG 12 Gage Cabinet
- TH Towel Hook (Lavy Side) Single Double
- TSC Toilet Shipping Cover
- TWE Toilet Waste Extension (3" Standard)
 - Specify Length Beyond Fixture _____
- VAC Acorn VAC system
- VG1 Ventilation Grille, 5-3/4" x 8-3/4"
 - Left Right (Lavy Side)
- VG2 Ventilation Grille, 8-3/4" x 13" Bottom Only
- WO3 3" Toilet P-Trap (3.5 GPF Only)
- WO3B 3" Bell Waste Outlet

Please visit www.acorneng.com for most current specifications.



NOTES:

1. OPTIONAL -04 HOT & COLD AIR-CONTROL VALVE & PUSHBUTTONS SHOWN.
2. OPTIONAL LAVY -BP PENAL BUBBLER SHOWN.
3. HYDRUALIC -FV FLUSH VALVE & PUSHBUTTON.
4. ACCESS PANEL.
5. INTEGRAL GRAB BAR.
6. WASTE OUTLETS EXTENDING 3" BEYOND FIXTURE.
7. ANCHORING HARDWARE.
8. 42" GRAB BAR BY OTHERS.

| | |
|--|---|
| <p>Important: Installation instructions and current rough-in are furnished with each fixture. Do not rough in without certified dimensions. Dimensions are subject to manufacturer's tolerance of plus or minus 1/4" and change without notice. Acorn assumes no responsibility for use of void or superseded data. © Copyright 2008 Acorn Engineering Company</p> | |
| <p style="text-align: center;">Selection Summary</p> <p>Model No. & Option _____</p> <p>Quantity _____</p> | <p style="text-align: center;">Approved for Manufacturing</p> <p>Company _____ Title _____</p> <p>Signature _____ Date _____</p> |