



## Penal-Ware® 1440 Series

18" Lav/Toilet - Suicide Resistant Comby



1440-2-AR-BPH-03

Fixture May Show Some Available Options

Please visit [www.acorneng.com](http://www.acorneng.com) for most current specifications.

### 18" Lav/Toilet - Suicide Resistant Comby

**Fixture** is arranged to be installed on finished wall and serviced from an accessible pipe chase. Fixture is fabricated from 14 gage type 304 stainless steel cabinet and toilet bowl, polished to a satin finish. The inside of the toilet bowl also has a satin finish. Cabinet interior is sound-deadened with fire-resistant material. Optional Wall Sleeve or Metal Template is recommended for all installations to provide required wall openings. This unit is intended to reduce any possible risk of the fixture being used as a suicide device.

**Lavatory "D" Bowl** is 15" x 13" x 5-1/2" deep. Standard elbow waste outlet is 1-1/2" O.D. plain end.

**Optional Valve** may be an Air-Control pneumatically operated, pushbutton valve using atmospheric air. Pushbutton requires less than 5 pounds to activate valve. Valve is direct acting, non-metering type and is optionally available as metering with non-hold open feature. Metering valve timing is adjustable from 5 to 60 seconds. Valve can be remotely located up to 10 feet from the operating pushbutton. Bubbler and valve pushbuttons are spherical type and do not include straight edges. Valve complies with the lead free requirements of NSF 61, Section 9-1997.

**Toilet** is blowout jet type with elongated bowl manufactured to ANSI 112.19.2M requirements and requires a minimum of 35 PSI flow pressure. Toilet uses a water consumption of 1.6 gallons per flush or less. Trap has minimum 3-1/2" seal and will pass a 2-1/8" ball. Toilet waste outlet is 2-3/8" diameter plain end extending 3" beyond the fixture for wall outlet and Gasketed Waste for floor outlet.

#### GUIDE SPECIFICATION

Provide and install Acorn Penal-Ware 18" wide Lav/Toilet Suicide Resistant Comby (Specify model number and options). Provide hemispherical cabinet design to reduce risk of fixture being used as a suicide device. Fixture shall be fabricated from type 304 stainless steel. Construction shall be seamless welded and exposed surfaces shall have a satin finish. Provide D shape lavatory bowl. Fixture shall have an Air-Control pneumatically operated, pushbutton valve. Valve shall require less than 5 pounds to activate. Valve to comply with NSF 61, Section 9-1997 lead free requirements. Provide -BPH Hemispherical Penal Bubbler and -PBH Hemispherical Penal Pushbutton. Provide toilet bowl housing to prohibit the attachment of objects. Toilet shall be concealed blowout jet type with an elongated bowl, self-draining flushing rim, and an integral contoured seat. Toilet shall meet ANSI 112.19.2M requirements, using an average water consumption of 1.6 gallons per flush or less. Toilet trap shall have a minimum 3-1/2" seal that shall pass a 2-1/8" diameter ball and shall be fully enclosed. Cabinet interior shall be sound-deadened with fire-resistant material. Fixture shall withstand loading of 3,000 pounds without permanent damage. Fixture shall be furnished with necessary fasteners for proper installation.

# Penal-Ware® 1440: 18" Lav/Toilet - Suicide Resistant Comby



## WALL THICKNESS AND TYPE (Must Specify)

Thickness \_\_\_\_\_ Type: \_\_\_ Concrete \_\_\_ Block \_\_\_

## MODEL AND OPTIONS SELECTION

### BASE MODEL NUMBER

1440 18" Lav/Toilet - Suicide Resistant Comby

### TOILET ORIENTATION (Must Specify)

- AL Angled Left
- AR Angled Right
- CT Centered Toilet

### FIXTURE MOUNTING AND WASTE (Must Specify)

- 2 On-Floor, Wall Outlet
- 3 On-Floor, Floor Outlet

### BUBBLER SELECTION (Must Specify)

- BPH Hemispherical Penal Bubbler

### VALVE SELECTION (Must Specify)

- 03 Air-Control, Single Temperature
- 04 Air-Control, H & C
- 09 Punched for Valve by Others (Specify Punching)
- EVS1 Electronic Valve System - Single Temp
- EVS2 Electronic Valve System - Hot & Cold
- MVC1 Time-Trol - Single Temp
- MVC2 Time-Trol - Hot & Cold

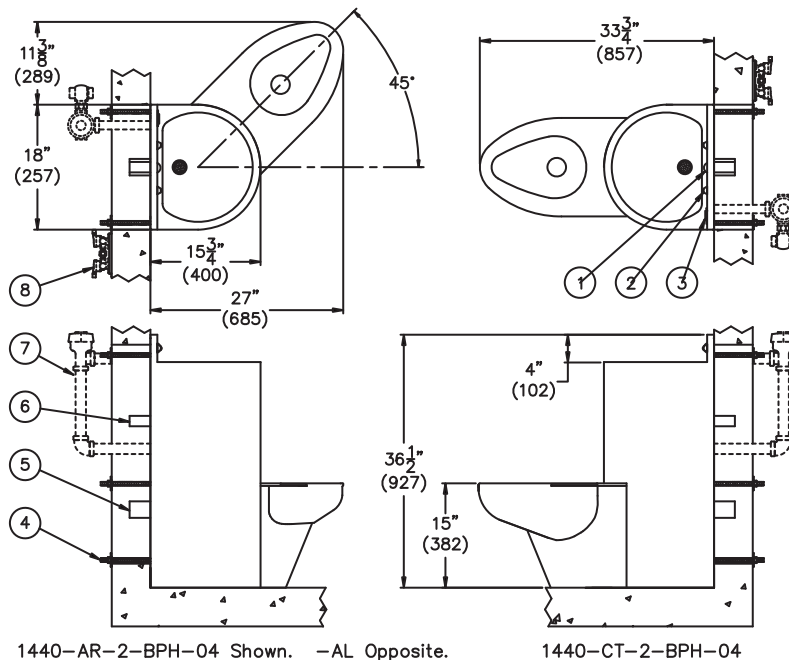
### FLUSH VALVE REQUIREMENTS (Must Specify)

- FV Mechanical \_\_\_\_\_-1.6 GPF \_\_\_\_\_-3.5 GPF  
 \_\_\_\_\_-EVSFV \_\_\_\_\_-MVCFV
- FVH Hydraulic \_\_\_\_\_-1.6 GPF \_\_\_\_\_-3.5 GPF  
 \_\_\_\_\_-EVSFV \_\_\_\_\_-MVCFV

## Product Options

- CO1 Cleanout w/O-Ring, Connecting to No-Hub \_\_\_3" \_\_\_4"
- COH Cleanout Hook Assembly
- CW Combined Waste
- EG Enviro-Glaze, Specify Color: \_\_\_\_\_
- Exterior Only (Not Inside Bowl)
- Exterior & Inside Bowl
- FMT Fixture Mounted Trim
- FT Flood-Trol (Manual Reset)
- FTA Flood-Trol Auto-reset
- FTE Flood-Trol Electronic
- FVO Flush Valve Opposite Toilet
- FVT Flush Valve Thru Wall Connector
- GW Gasketed Toilet Waste
- HPS High Polished Seat #7 Finish
- LPFV Less Punching for Flush Valve
- LW1 Lavy thru Wall Extension with P-Trap
- LWE Lavy Waste Extension (3" Standard)  
 Specify Length Beyond Fixture \_\_\_\_\_
- M Metering
- MA Manifoldded Valve \_\_\_2 \_\_\_3 \_\_\_4
- MH Metering, Hot Side Only
- MT Metal Template (Only 1 Required Per Project)
- OF Lavatory Overflow
- PBH Hemispherical Pushbutton
- PBP Pushrod Activated Pushbutton
- PC Pinned Cleanout Plug
- PH Paper Holder \_\_\_L \_\_\_R
- PT P-Trap Waste
- SW Wall Sleeve
- TF Transformer, 120VAC to 24VAC
- TG 12-Gage Cabinet
- TSC Toilet Shipping Cover
- TWE Toilet Waste Extension (3" Standard)  
 Specify Length Beyond Fixture \_\_\_\_\_
- VAC Acorn Vac System
- WO3 3" Toilet P-Trap (3.5 GPF Only)
- WO3B 3" Bell Waste Outlet

Please visit [www.acorneng.com](http://www.acorneng.com)  
 for most current specifications.



### NOTES:

1. Lavy Bubbler.
2. Lavy Valve Pushbuttons.
3. Flush Valve Pushbutton.
4. Wall Mounting Hardware.
5. Toilet Waste Outlet.
6. Lavy Waste Outlet.
7. Optional -FV Flush Valve.
8. -04 Air Control Valve.

|   |   |
|---|---|
| <b>Important:</b> Installation instructions and current rough-in are furnished with each fixture. Do not rough in without certified dimensions.<br>Dimensions are subject to manufacturer's tolerance of plus or minus 1/4" and change without notice. Acorn assumes no responsibility for use of void or superseded data. © Copyright 2008 Acorn Engineering Company |   |
| <p style="text-align: center;"><b>Selection Summary</b></p> <p>Model No. &amp; Option _____</p> <p>Quantity _____</p>   | <p style="text-align: center;"><b>Approved for Manufacturing</b></p> <p>Company _____ Title _____</p> <p>Signature _____ Date _____</p> |