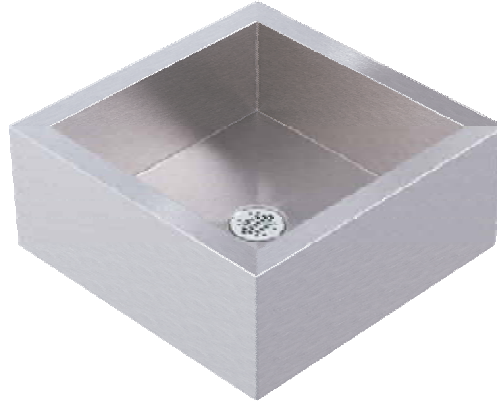




## Penal-Ware® 1630 Series

Stainless Steel Mop Sink



1630

Fixture May Show Some Available Options

Please visit [www.acorneng.com](http://www.acorneng.com) for most current specifications.

### Mop Sink

**Fixture** is fabricated of 16 gage, type 304 stainless steel and is seamless welded construction with satin finish on exposed exterior surfaces. Unit is arranged to be installed onto a floor and against finished wall.

**Mop Sinks** are 8" deep with an integral bowl and is sound deadened with a fire resistant material. Integral drain includes a removable flat grid strainer and provides for an inside caulked connection to 3" pipe. The mop sink is pitched to the drain outlet to provide positive drainage and includes an apron on three sides. A lint basket / beehive dome strainer is optionally available.

Optional Tiling Flanges extend 1" above the shoulder and can be specified for up to 3 sides. When the -TF Tiling Flange option is specified, an apron will not be provided on the specified sides.

Accessories to complete the installation of the mop sink include:

- Chrome Finish Faucet
- 36" Hose -Reduces splashing. Includes hose wall hanger
- Mop Hanger -Provides easy storage of the mop over the sink
- Rubber drain gaskets -Eases drain connection
- Stainless Steel Wall Guards -Protects sensitive walls from splashing water
- Tiling Flanges -Simplifies field installation.

### GUIDE SPECIFICATION

Provide and install Acorn Penal-Ware Stainless Steel Mop Sink (specify model number and options). Fixture shall be fabricated of 16 gage, type 304 stainless steel. Unit shall be of seamless welded construction with all welds ground smooth. Exposed exterior surfaces shall have a satin finish. Sink shall be double wall construction with aprons on three sides and shall provide a inside caulk waste connection to 3" pipe and include a removable grid strainer.



# Penal-Ware®: 1630 Stainless Steel Mop Sink

## WALL THICKNESS AND TYPE (Must Specify)

Thickness \_\_\_\_\_ Type: \_\_\_ Concrete \_\_\_ Block \_\_\_ Steel

## MODEL AND OPTIONS SELECTION:

### BASE MODEL NUMBER

- 1630 Mop Sink, 24" x 24" x 10" Deep
- 1636 Mop Sink, 36" x 24" x 10" Deep

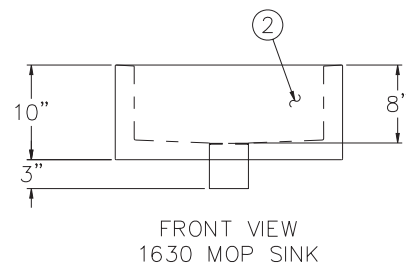
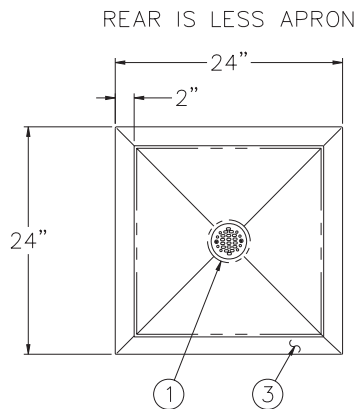
### TILING FLANGES (Integral)

- TF1 Tiling Flange, Rear Side
- TF2 Tiling Flange, Two Adjacent Sides
  - \_\_\_ Rear & Right Side
  - \_\_\_ Rear & Left Side
- TF3 Tiling Flange, Three Sides (Rear, Right and Left Sides)

### Product Options

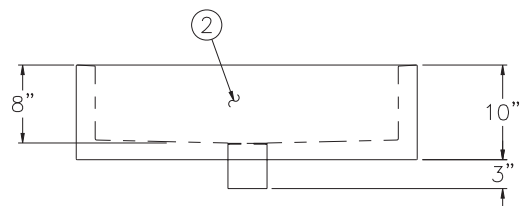
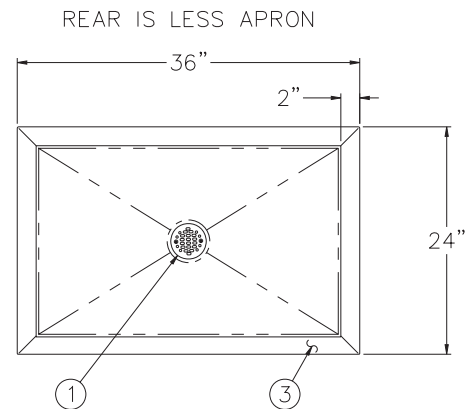
- BDS Beehive Dome Strainer
- KDG3 Rubber Drain Gasket for 3" Waste Pipe
- KFC Faucet, Chrome
- KH36 36" Long Hose with Wall Hanger
- KMH 3 Mop Hanger Stainless Steel Bracket
- KWG Wall Guard, Specify Lengths
  - \_\_\_ 24" \_\_\_ Qty. \_\_\_ 36" \_\_\_ Qty
  - (Shipped Loose)
- LB Lint Basket Strainer
- TA Threshold Anchors

Please visit [www.acorneng.com](http://www.acorneng.com) for most current specifications.



FRONT VIEW  
1630 MOP SINK

1. GRID STRAINER w/ 3" INSIDE CAULK WASTE CONNECTION.
2. APRONS ON THREE SIDES.
3. SLOPED SHOULDERS TO DRAIN EXCESS WATER TO INSIDE.



FRONT VIEW  
1636 MOP SINK

<p><b>Important:</b> Installation instructions and current rough-in are furnished with each fixture. Do not rough in without certified dimensions. Dimensions are subject to manufacturer's tolerance of plus or minus 1/4" and change without notice. Acorn assumes no responsibility for use of void or superseded data. © Copyright 2004 Acorn Engineering Company</p>	
<p style="text-align: center;"><b>Selection Summary</b></p> <p>Model No. &amp; Option _____</p> <p>Quantity _____</p>	<p style="text-align: center;"><b>Approved for Manufacturing</b></p> <p>Company _____ Title _____</p> <p>Signature _____ Date _____</p>