



Penal-Ware® 1640 Series Service Sink



1640-2-SE-4

1640-1-SE-4

Fixture May Show Some Available Options

Please visit www.acorneng.com for most current specifications.

Service Sink

Fixture is arranged to be installed on finished wall and serviced from an accessible pipe chase. Back is provided with anchor tapings as well as supply and waste connections. Optional Wall Sleeve or Metal Template is recommended on all installations for required wall openings.

Fixture is fabricated from 14 gage, type 304 stainless steel and is seamless welded construction with a satin finish. There are no accessible voids or crevices where contraband can be concealed. When optional soap dish is specified, backsplash is structurally reinforced at attaching points. Cabinet interior is sound-deadened with fire-resistant material.

Model 1640 has a 19" x 16" x 10" deep bowl, and Model 1642 has a 22" x 16" x 10" deep bowl. Standard elbow waste outlet is 2-3/8" O.D. plain end and extending 3" beyond the rear of the unit.

Optional Valve is an Air-Control pneumatically operated, pushbutton valve using atmospheric air. Pushbutton is vandal-resistant and requires less than 5 pounds to activate valve. Valve is direct acting, non-metering type and is optionally available as metering with non-hold open feature. Metering valve timing is adjustable from 5 to 60 seconds. Valve includes a 2.5 GPM flow control and can be remotely located up to 10 feet from the operating pushbutton.

Regularly Furnished Trim includes an elbow waste, integral grid strainer, and mounting hardware for walls up to 8" thick.

GUIDE SPECIFICATION

Provide and install Acorn Penal-Ware Service Sink (specify model number and options). Fixture shall be fabricated from 14 gage, type 304 stainless steel including all reinforcing. All welds shall be ground smooth. Exterior shall have a satin finish. Sink shall be double wall construction with integral cabinet and backsplash. Provide Air-Control pneumatically operated pushbutton valve. Fixture shall be furnished with necessary fasteners for proper installation.



Penal-Ware®: 1640 Service Sink

WALL THICKNESS AND TYPE (Must Specify)

Thickness _____ Type: ___ Concrete ___ Block ___ Steel

MODEL AND OPTIONS SELECTION

BASE MODEL NUMBER

- 1640 Service Sink, 21" x 19"
- 1642 Service Sink, 24" x 19"

FIXTURE MOUNTING AND WASTE (Must Specify)

- 1 Off-Floor, Wall Outlet
- 2 On-Floor, Wall Outlet

SPOUT SELECTION (Must Specify)

- SE Spout with Plain End
- SH Spout with Hose End

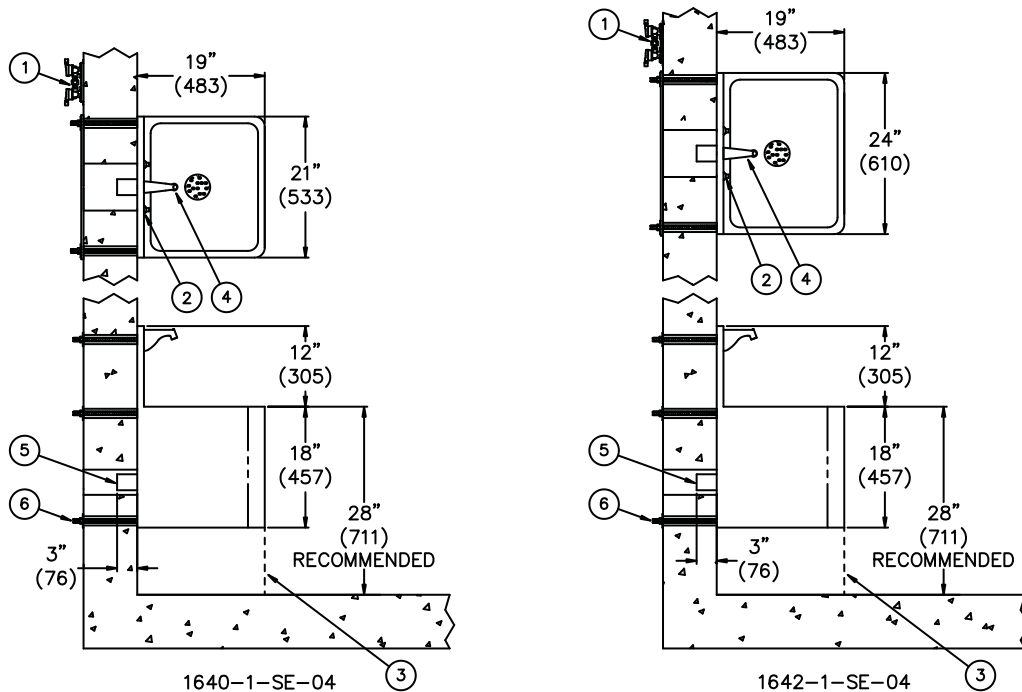
VALVE SELECTION (Must Specify)

- 03 Air-Control, Single Temperature
- 04 Air-Control, H & C
- 09 Punched for Valve by Others (Specify Punching)
- EVS1 Electronic Valve System - Single Temp
- EVS2 Electronic Valve System - Hot & Cold
- MVC1 Time-Trol - Single Temp
- MVC1-BAT Time-Trol - Single Temp with Battery Operation
- MVC2 Time-Trol - Hot & Cold
- MVC2-BAT Time-Trol - Hot & Cold with Battery Operation

Product Options

- D Soap Dish
- EG Enviro-Glaze, Specify Color: _____
- FMT Fixture Mounted Trim
- IS Integral Shelf
- LWE Lavy Waste Extended Beyond Standard 3"
- M Metering
- MA Manifold Air-Control Valves ___2 ___3 ___4
- MH Metering, Hot Side Only
- MT Metal Template (Only 1 Required Per Project)
- PBH Hemispherical Pushbutton
- PBP Pushrod Activate Pushbutton
- PT P-Trap Waste
- SW Wall Sleeve
- TF Transformer (for up to 12 solenoids)
- TG 12 Gage Cabinet
- TH Towel Hook ___Left ___Right
- TW1 Thru-Wall Waste Connection with P-Trap & Cleanout
- VAC Acorn-Vac System
- VB Vacuum Breaker (For use with Hose End Spout Only)
- VG3 Ventilation Grille 8-3/4" x 8-3/4" ___Left ___Right
- VG4 Ventilation Grille 8-3/4" x 17" (Bottom Only)

Please visit www.acorneng.com for most current specifications.



NOTES:

1. Optional -04 Air-Control Valve.
2. Valve Pushbuttons.
3. Cabinet for On-Floor Models.
4. -SE Spout w/plain end.
5. Sink Waste Outlet.
6. Wall Mounting Hardware.

<p>Important: Installation instructions and current rough-in are furnished with each fixture. Do not rough in without certified dimensions. Dimensions are subject to manufacturer's tolerance of plus or minus 1/4" and change without notice. Acorn assumes no responsibility for use of void or superseded data. © Copyright 2004 Acorn Engineering Company</p>	
<p style="text-align: center;">Selection Summary</p> <p>Model No. & Option _____</p> <p>Quantity _____</p>	<p style="text-align: center;">Approved for Manufacturing</p> <p>Company _____ Title _____</p> <p>Signature _____ Date _____</p>