



Penal-Ware® 1652 Series

18" Lavatory with Oval Bowl - ADA Compliant



1652-ADA-1-BP-4

Fixture May Show Some Available Options

Please visit www.acorneng.com for most current specifications.

18" Lavatory with Oval Bowl - ADA Compliant

Fixture is designed to be installed on a finished wall and serviced from an accessible pipe chase. Optional Wall Sleeve or Metal Template is recommended for all installations for required wall openings. Lavatory complies with ANSI, UFAS and ADA requirements for accessibility. Compliance is subject to the interpretation and requirements of the local code authority.

Cabinet is fabricated from 14 gage, type 304 stainless steel and is seamless welded construction with exposed surfaces polished to a satin finish. Cabinet interior is sound-deadened with fire-resistant material. There are no accessible voids or crevices where contraband can be concealed.

Lavatory Oval Bowl is 14-3/4" x 9-1/2" x 5" deep and includes an integral fast drain. Standard elbow waste outlet is 1-1/2" O.D. plain end and extends 11" beyond the fixture to be field trimmed to fit by installer.

Optional Lavatory Valve is an Air-Control pneumatically operated pushbutton valve using atmospheric air. Pushbutton requires less than 5 lbs. to activate valve. Valve is metering, non-hold open type. Timing is from 5 to 60 seconds. Valve can be remotely located up to 10 feet from the operating pushbutton. Valve complies with the lead free requirements of NSF61, Section 9-1997.

Regularly furnished items include a fast drain, an integral self-draining soap dish and mounting hardware for walls up to 8" thick.

Suffix Option -DMB, Deck Mounted Bubbler optionally available, provides a drinking bubbler that meets ADA requirements as described in Section 4.15. This option also includes a separate pushbutton and non-metering Air-Control valve.

GUIDE SPECIFICATION

Provide and install an Acorn Penal-Ware, 18" wide ADA Compliant Lavatory with Oval Bowl (specify model number and options). Unit shall conform with ANSI, UFAS and ADA requirements for accessibility. Fixture shall be fabricated from 14 gage, type 304 stainless steel. Construction shall be seamless welded and exposed surfaces shall have a satin finish. Countertop shall have an air-circulating, self-draining soap dish. Provide ADA compliant Air-Control pneumatically operated, metering, non-hold open pushbutton valve. Valve to comply with NSF61, Section 9-1997 lead free requirements. Cabinet interior shall be sound deadened with fire-resistant material. Fixture shall be furnished with necessary fasteners to complete installation.

Penal-Ware® 1652: 18" Lavatory with Oval Bowl - ADA Compliant



WALL THICKNESS AND TYPE (Must Specify)

Thickness _____ Type _____

MODEL AND OPTIONS SELECTION

BASE MODEL NUMBER

- 1652-ADA 18" Lavatory with Oval Bowl - ADA Compliant

FIXTURE MOUNTING AND WASTE (Must Specify)

- 1 Off-Floor, Wall Outlet

BUBBLER SELECTION (Must Specify)

- BC Bubbler, Code
- BP Bubbler, Penal
- BPH Hemispherical Penal Bubbler
- LF Lav-Filler

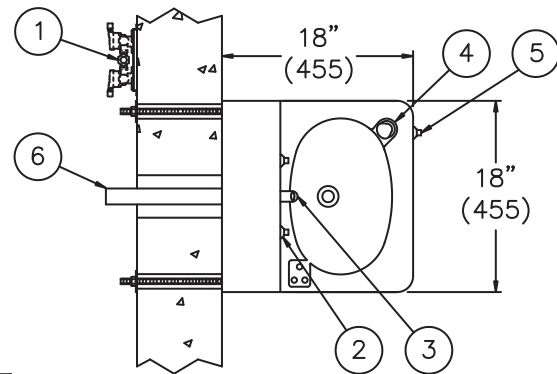
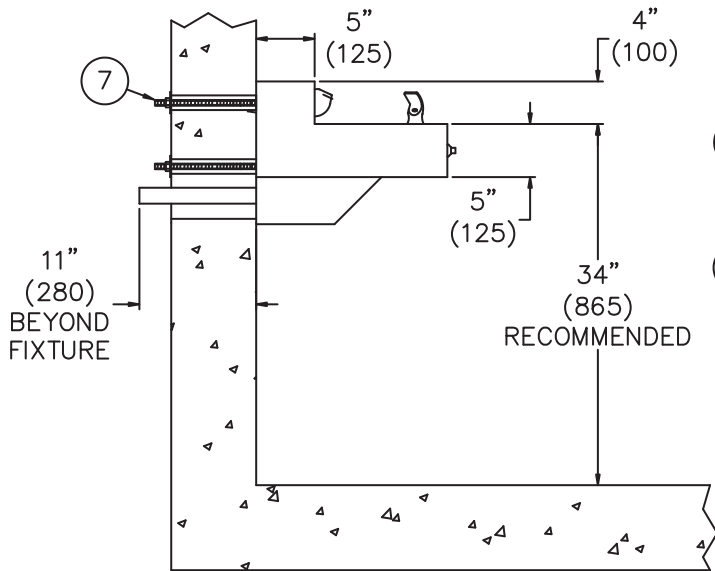
VALVE SELECTION (Must Specify)

- 3 Air-Control, Single Temperature
- 4 Air-Control, H & C
- 9 Punched for Valve by Others (Specify Punching)
- EVS1 Electronic Valve System - Single Temp
- EVS2 Electronic Valve System - Hot & Cold
- MVC1 Time-Trol - Single Temp
- MVC1-BAT Time-Trol - Single Temp Battery Operation
- MVC2 Time-Trol - Hot & Cold
- MVC2-BAT Time-Trol - Hot & Cold Battery Operation

Product Options

- DMB Deck Mounted Bubbler
 - ___ BP Penal Bubbler ___ BC Code Bubbler
- EG Enviro-Glaze, Specify Color: _____
- FMT Fixture Mounted Trim
- LW1 Lavy Thru-Wall Extension with P-Trap
- LWE Lavy Waste Extended Beyond Standard 3"
- MA Manifolded Valve ___ 2 ___ 3 ___ 4
- MT Metal Template (Only 1 Required Per Project)
- OF Lavatory Overflow
- PBH Hemispherical Pushbutton
- SW Wall Sleeve
- TB Toothbrush Holder ___ Left ___ Right
- TF Transformer (for up to 12 solenoids)
- TG 12 Gage Cabinet
- TH Towel Hook ___ Single ___ Double ___ Left ___ Right

Please visit www.acorneng.com for most current specifications.



1652-ADA-1-BP-4-DMB

NOTES:

1. Optional -4 Air-Control Valve.
2. Lavy Valve Pushbuttons.
3. Lavy Bubbler.
4. Optional -DMB Deck Mounted Bubbler.
5. Pushbutton for option -DMB.
6. Lavy Waste Outlet. Extended 11" Beyond Fixture.
7. Wall Mounting Hardware.

Important: Installation instructions and current rough-in are furnished with each fixture. Do not rough in without certified dimensions. Dimensions are subject to manufacturer's tolerance of plus or minus 1/4" and change without notice. Acorn assumes no responsibility for use of void or superseded data. © Copyright 2008 Acorn Engineering Company	
<p style="text-align: center;">Selection Summary</p> <p>Model No. & Option _____</p> <p>Quantity _____</p>	<p style="text-align: center;">Approved for Manufacturing</p> <p>Company _____ Title _____</p> <p>Signature _____ Date _____</p>