



## Penal-Ware® 1652FA Series

18" Lavatory with Oval Bowl - ADA Compliant - Front Access



1652-ADA-FA-1-BP-4-DMB

Fixture May Show Some Available Options

Please visit [www.acorneng.com](http://www.acorneng.com) for most current specifications.

### 18" Lavatory with Oval Bowl - ADA Compliant - Front Access

**Fixture** is factory piped, tested and designed to be installed on a finished wall through a removable bottom secured with tamper-resistant screws. Optional Wall Sleeve is recommended to provide wall openings. Lavatory complies with ANSI, UFAS and ADA requirements for accessibility. Compliance is subject to the interpretation and requirements of the local code authority.

**Cabinet** is fabricated from 14 gage, type 304 stainless steel and is seamless welded construction with exposed surfaces polished to a satin finish. Cabinet interior is sound-deadened with fire-resistant material.

**Lavatory Oval Bowl** is 14-3/4" x 9-1/2" x 5" deep and includes an integral fast drain. Standard P-trap waste outlet is 1-1/2" O.D. plain end and extends 3" beyond the rear of the fixture.

**Optional Lavatory Valve** is an Air-Control pneumatically operated pushbutton valve using atmospheric air. Pushbutton requires less than 5 lbs. to activate valve. Valve is metering, non-hold open type. Timing is from 5 to 60 seconds. Valve can be remotely located up to 10 feet from the operating pushbutton. Valve complies with the lead free requirements of NSF61, Section 9-1997.

**Regularly furnished** items include a fast drain, an integral self-draining soap dish and mounting hardware. Wall anchors by others.

**Suffix Option -DMB, Deck Mounted Bubbler** optionally available, provides a drinking bubbler that meets ADA requirements for drinking fountains as described in Section 4.15. This option also includes a separate pushbutton and non-metering Air-Control valve.

#### GUIDE SPECIFICATION

Provide and install an Acorn Penal-Ware, 18" wide ADA Compliant Lavatory with Oval Bowl, Front Access (specify model number and options). Unit shall conform with ANSI, UFAS and ADA requirements for accessibility. Fixture shall be fabricated from 14 gage, type 304 stainless steel. Construction shall be seamless welded and exposed surfaces shall have a satin finish. Countertop shall have an air-circulating, self-draining soap dish. Provide ADA compliant Air-Control pneumatically operated, metering, non-hold open pushbutton valve. Valve to conform with NSF61, Section 9-1997 lead free requirements. Cabinet bottom shall be removable and secured with tamper-resistant screws. Cabinet interior shall be sound deadened with fire-resistant material. Fixture shall be furnished with necessary fasteners for proper installation.

# Penal-Ware®: 1652FA 18" Lavatory with Oval Bowl - ADA Compliant - Front Access



## WALL THICKNESS AND TYPE (Must Specify)

Thickness \_\_\_\_\_ Type: \_\_\_ Concrete \_\_\_ Block \_\_\_ Steel

## MODEL AND OPTIONS SELECTION

### BASE MODEL NUMBER

- 1652-ADA-FA 18" Lavatory with Oval Bowl - ADA Compliant - Front Access

### FIXTURE MOUNTING AND WASTE (Must Specify)

- 1 Off-Floor, Wall Outlet

### BUBBLER SELECTION (Must Specify)

- BC Bubbler, Code
- BP Bubbler, Penal
- BPH Hemispherical Penal Bubbler
- LF Lav-Filler

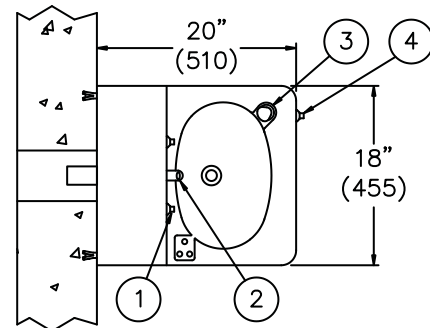
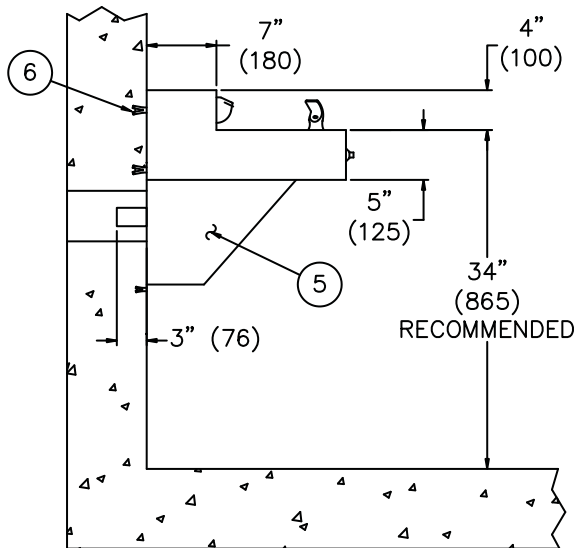
### VALVE SELECTION (Must Specify)

- 3 Air-Control, Single Temperature
- 4 Air-Control, H & C
- 9 Punched for Valve by Others (Specify Punching)
- EVS1 Electronic Valve System - Single Temp
- EVS2 Electronic Valve System - Hot & Cold
- MVC1 Time-Trol - Single Temp
- MVC1-BAT Time-Trol - Single Temp Battery Operation
- MVC2 Time-Trol - Hot & Cold
- MVC2-BAT Time-Trol - Hot & Cold Battery Operation

## Product Options

- DMB Deck Mounted Bubbler
  - \_\_\_ BP Penal Bubbler \_\_\_ BC Code Bubbler
- EG Enviro-Glaze, Specify Color: \_\_\_\_\_
- FMT Fixture Mounted Trim
- LWE Lavy Waste Extended Beyond Standard 3"
- MT Metal Template (Only 1 Required Per Project)
- OF Lavatory Overflow
- PBH Hemispherical Pushbutton
- SW Wall Sleeve
- TB Toothbrush Holder \_\_\_ Left \_\_\_ Right
- TF Transformer (for up to 12 solenoids)
- TG 12 Gage Cabinet
- TH Towel Hook \_\_\_ Single \_\_\_ Double \_\_\_ Left \_\_\_ Right
- VAC Acorn-Vac System

Please visit [www.acorneng.com](http://www.acorneng.com) for most current specifications.



1652-ADA-FA-1-BP-4-DMB

### NOTES:

1. Lavy Valve Pushbuttons.
2. Lavy Bubbler.
3. Optional -DMB Deck Mounted Bubbler.
4. Optional Bubbler Pushbutton for (-DMB).
5. Removable Access Panel.
6. Wall Mounting Anchors (By Others).

<b>Important:</b> Installation instructions and current rough-in are furnished with each fixture. Do not rough in without certified dimensions. Dimensions are subject to manufacturer's tolerance of plus or minus 1/4" and change without notice. Acorn assumes no responsibility for use of void or superseded data. © Copyright 2004 Acorn Engineering Company	
<p style="text-align: center;">Selection Summary</p> <p>Model No. &amp; Option _____</p> <p>Quantity _____</p>	<p style="text-align: center;">Approved for Manufacturing</p> <p>Company _____ Title _____</p> <p>Signature _____ Date _____</p>