



Penal-Ware® 1652LRB Series
18" Lavatory with Rectangular Bowl - ADA Compliant



1652LRB-ADA-1-DMS-4

Fixture May Show Some Available Options

Please visit www.acorneng.com for most current specifications.

18" Lavatory with Lavy Rectangular Bowl - ADA Compliant

Fixture is designed to be installed on a finished wall and serviced from an accessible pipe chase. There are no voids or crevices where contraband can be concealed. Features include an integral self-draining soap dish and mounting hardware for walls up to 8" thick. Optional Wall Sleeve or Metal Template is recommended to provide through wall openings and mounting points. Lavatory complies with ANSI, UFAS and ADA requirements for accessibility. Compliance is subject to the interpretation and requirements of the local code authority.

Cabinet is fabricated from 14 gage, type 304 stainless steel and is seamless welded construction with exposed surfaces polished to a satin finish. Cabinet interior is sound deadened with fire-resistant material.

Lavatory Rectangular Bowl is 14" x 12" x 5" deep and includes an integral fast drain. Standard elbow waste outlet is 1-1/2" O.D. plain end and extends 3" beyond the back of wall.

Optional Lavatory Valve is an optionally available Air-Control, pneumatically operated pushbutton valve using atmospheric air and includes 0.5 GPM flow control. Valve is metering, non-hold open type and complies with the lead free requirements of NSF 61, Section 9-1997. Valve can be remotely located up to 10 feet from operating pushbutton. Pushbutton is vandal resistant and requires less than 5 lbs. pressure to actuate valve. Timing is adjustable from 5 to 60 seconds.

Suffix Option DMB, Deck Mounted Bubbler optionally available, provides a drinking bubbler that meets ADA requirements as described in ADAAG Section 4.15. This option also includes a separate pushbutton and non-metering Air-Control valve.

GUIDE SPECIFICATION

Provide and install an Acorn Penal-Ware, 18" wide ADA Compliant Lavatory with rectangular bowl (specify model number and options). Unit shall conform to ANSI, UFAS and ADA requirements for accessibility. Fixture shall be fabricated from 14 gage, type 304 stainless steel. Construction shall be seamless welded and exposed surfaces shall have a satin finish. Deck shall have an air-circulating, self-draining soap dish. Provide ADA compliant Air-Control pneumatically operated, metering, non-hold open pushbutton valve. Valve to comply with NSF 61, Section 9-1997 lead free requirements. Cabinet interior shall be sound deadened with fire-resistant material. Fixture shall be furnished with necessary fasteners for proper installation.

Penal-Ware®: 1652LRB 18" Lavatory with Lavy Rectangular Bowl ADA Compliant



WALL THICKNESS AND TYPE (Must Specify)

Thickness _____ Type _____

MODEL AND OPTIONS SELECTION

BASE MODEL NUMBER

- 1652LRB-ADA 18" Lavatory with Lavy Rectangular Bowl - ADA Compliant

FIXTURE MOUNTING AND WASTE (Must Specify)

- 1 Off-Floor, Wall Outlet

SPOUT SELECTION (Must Specify)

- DMS Deck Mounted Spout
- BPH Hemispherical Penal Bubbler

VALVE SELECTION (Must Specify)

- 3 Air-Control, Single Temperature
- 4 Air-Control, H & C
- 9 Punched for Valve by Others (Specify Punching)
- EVS1 Electronic Valve System - Single Temp
- EVS2 Electronic Valve System - Hot & Cold
- MVC1 Time-Trol - Single Temp
- MVC1-BAT Time-Trol - Single Temp Battery Operation
- MVC2 Time-Trol - Hot & Cold
- MVC2-BAT Time-Trol - Hot & Cold Battery Operation

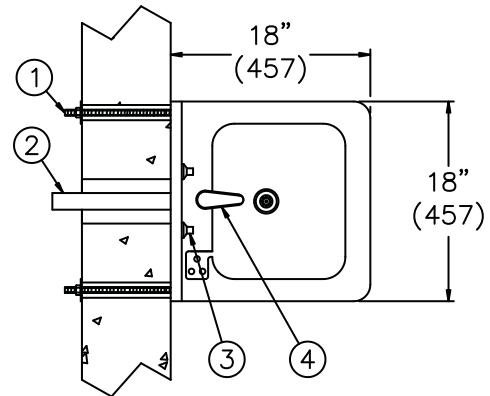
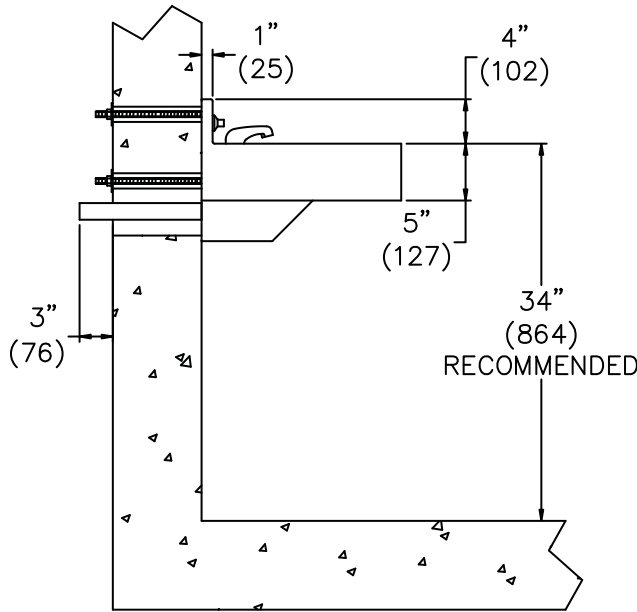
DECK PUNCHING (1-5/16" Diameter)

- H1 Single Hole Centered
- H24 Two Holes 4" Centered
- H28 Two Holes 8" Centered (will eliminate soap depression)
- H34 Three Holes 4" Centered
- H38 Three Holes 8" Centered (will eliminate soap depression)

Product Options

- DMB Deck Mounted Bubbler
 ___ BP Penal Bubbler ___ BC Code Bubbler
- EG Enviro-Glaze, Specify Color: _____
- FMT Fixture Mounted Trim
- LW1 Lavy Thru-Wall Extension with P-Trap
- FMT Fixture Mounted Trim
- MA Manifold Valve ___2 ___3 ___4
- MT Metal Template (Only 1 Required Per Project)
- OF Lavatory Overflow
- LWE Lavy Waste Extended Beyond Standard 3"
- PBH Hemispherical Pushbutton
- PBP Pushrod Activated Pushbutton
- SW Wall Sleeve
- TB Toothbrush Holder ___ Left ___ Right
- TF Transformer (for up to 12 solenoids)
- TG 12 Gage Cabinet
- TH Towel Hook ___Single ___Double ___Left ___Right
- VAC Acorn-Vac System

Please visit www.acorneng.com for most current specifications.



1652LRB

NOTES:

1. Wall Mounting Hardware.
2. Lavy Waste Outlet.
3. Lavy Valve Pushbuttons.
4. Deck Mounted Spout.

Important: Installation instructions and current rough-in are furnished with each fixture. Do not rough in without certified dimensions. Dimensions are subject to manufacturer's tolerance of plus or minus 1/4" and change without notice. Acorn assumes no responsibility for use of void or superseded data. © Copyright 2007 Acorn Engineering Company	
Selection Summary Model No. & Option _____ Quantity _____	Approved for Manufacturing Company _____ Title _____ Signature _____ Date _____