



Penal-Ware® 1656FA Series

18" Multi-Sided Lavatory - Front Access



1656-FA-1-BP-4

Fixture May Show Some Available Options

Please visit www.acorneng.com for most current specifications.

18" Multi-Sided Lavatory - Front Access

Fixture is factory piped, tested, and arranged to be installed on finished wall through a removable bottom plate secured with tamper-resistant screws. Optional Wall Sleeve is recommended for wall openings where access space is limited. Fixture is fabricated from 14 gage, type 304 stainless steel and is seamless welded construction with a satin finish. Cabinet interior is sound-deadened with fire-resistant material.

Lavatory Multi-Sided Bowl is 12-3/4" x 8-1/4" x 5" deep. Standard P-trap waste outlet is 1-1/2" O.D. plain end and extends 3" beyond the rear of the fixture. Countertop has a toiletry shelf.

Optional Valve is an Air-Control pneumatically operated, pushbutton valve using atmospheric air. Pushbutton is vandal-resistant and requires less than 5 pounds to activate valve. Valve is direct acting, non-metering type and is optionally available as metering with non-hold open feature. Metering valve timing is adjustable from 5 to 60 seconds. Valve includes a 0.5 GPM flow control. Valve conforms with the lead free requirements of NSF61, Section 9, 1997.

Regularly Furnished items include a fast drain, a removable P-trap, raised soap ribs, and mounting hardware. Wall anchors by others.

GUIDE SPECIFICATION

Provide and install Acorn Penal-Ware 18" wide Multi-Sided Lavatory - Front Access (specify model number and options). Fixture shall be fabricated from 14 gage, type 304 stainless steel. Construction shall be seamless welded and exposed surfaces shall have a satin finish. Countertop shall have raised soap ribs. Provide Air-Control pneumatically operated pushbutton valve. Valve to conform with NSF61, Section 9, 1997 lead free requirements. Cabinet bottom shall be removable and secured with tamper-resistant screws. Cabinet interior is sound-deadened with fire-resistant material. Fixture shall be furnished with necessary fasteners for proper installation.



Penal-Ware®: 1656FA 18" Multi-Sided Lavatory - Front Access

WALL THICKNESS AND TYPE (Must Specify)

Thickness _____ Type: ___ Concrete ___ Block ___ Steel

MODEL AND OPTIONS SELECTION

BASE MODEL NUMBER

-1656-FA 18" Multi-Sided Lavatory - Front Access

FIXTURE MOUNTING AND WASTE (Must Specify)

-1 Off-Floor, Wall Outlet

BUBBLER SELECTION (Must Specify)

- BC Bubbler, Code
- BP Bubbler, Penal
- BPH Hemispherical Penal Bubbler
- LF Lav-Filler

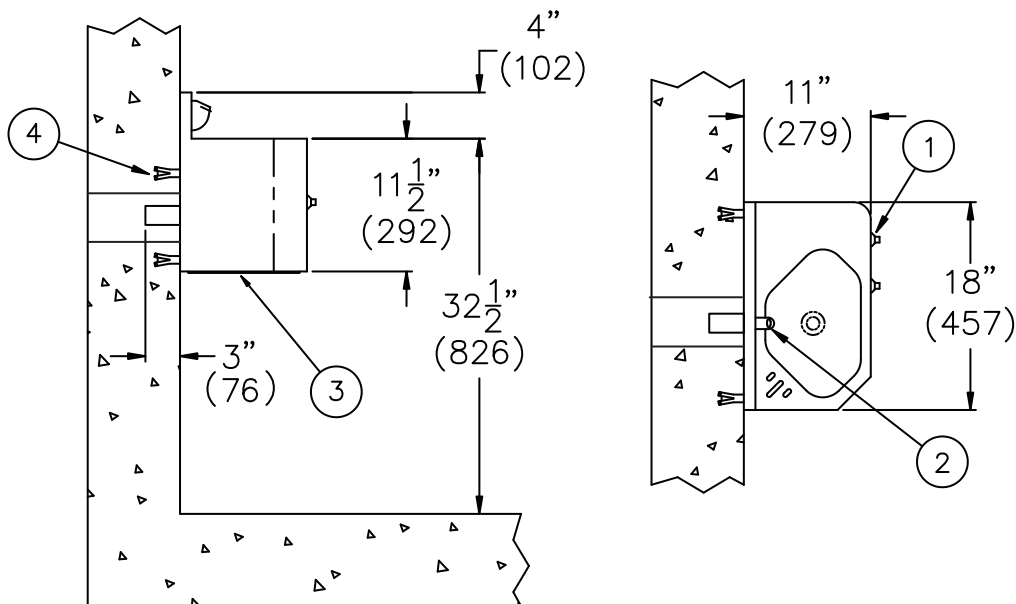
VALVE SELECTION (Must Specify)

- 3 Air-Control, Single Temperature
- 4 Air-Control, H & C
- 9 Punched for Valve by Others
(Specify Punching)
- EVS1 Electronic Valve System - Single Temp
- EVS2 Electronic Valve System - Hot & Cold
- MVC1 Time-Trol - Single Temp
- MVC1-BAT Time-Trol - Single Temp Battery Operation
- MVC2 Time-Trol - Hot & Cold
- MVC2-BAT Time-Trol - Hot & Cold Battery Operation

Product Options

- EG Enviro-Glaze, Specify Color: _____
- FMT Fixture Mounted Trim
- IS Integral Shelf
- LWE Lavy Waste Extended Beyond Standard 3"
- M Metering
- MH Metering, Hot Side Only
- MT Metal Template (Only 1 Required Per Project)
- OF Lavatory Overflow
- PBH Hemispherical Pushbutton
- SW Wall Sleeve
- TB Toothbrush Holder ___ Left ___ Right
- TF Transformer(for up to 12 solenoids)
- TG 12 Gage Cabinet
- TH Towel Hook ___Single___Double___Left___Right
- VAC Acorn-Vac System

Please visit www.acorneng.com for most current specifications.



1656-FA-1-BP-4

NOTES:

1. Lavy Valve Pushbuttons.
2. Lavy Bubbler.
3. Access Panel.
4. Wall Mounting Anchors (By Others).

Important: Installation instructions and current rough-in are furnished with each fixture. Do not rough in without certified dimensions. Dimensions are subject to manufacturer's tolerance of plus or minus 1/4" and change without notice. Acorn assumes no responsibility for use of void or superseded data. © Copyright 2004 Acorn Engineering Company	
<p style="text-align: center;">Selection Summary</p> <p>Model No. & Option _____</p> <p>Quantity _____</p>	<p style="text-align: center;">Approved for Manufacturing</p> <p>Company _____ Title _____</p> <p>Signature _____ Date _____</p>