



Penal-Ware® 1659 Series 15" Compact Lavatory



1659-1-BP-4

Fixture May Show Some Available Options

Please visit www.acorneng.com for most current specifications.

15" Compact Lavatory

Fixture is arranged to be installed on finished wall and serviced from an accessible pipe chase. Optional Wall Sleeve or Metal Template is recommended for all installations for required wall openings.

Fixture is fabricated from 14 gage, type 304 stainless steel and is seamless welded construction with a satin finish. Cabinet interior is sound-deadened with fire-resistant material. There are no accessible voids and crevices where contraband can be concealed.

Lavatory Multi-Sided Bowl is 12-3/4" x 8-1/4" x 5" deep. Standard elbow waste outlet is 1-1/2" O.D. plain end and extends 3" beyond the rear of the fixture.

Optional Valve is an Air-Control pneumatically operated, pushbutton valve using atmospheric air. Pushbutton is vandal-resistant and requires less than 5 pounds to activate valve. Valve is direct acting, non-metering type and is optionally available as metering with non-hold open feature. Metering valve timing is adjustable from 5 to 60 seconds. Valve includes a 0.5 GPM flow control and can be remotely located up to 10 feet from the operating pushbutton. Valve conforms with the lead free requirements of NSF61, Section 9, 1997.

Regularly Furnished items include a fast drain, integral raised soap ribs, and mounting hardware for walls up to 8" thick.

GUIDE SPECIFICATION

Provide and install Acorn Penal-Ware 15" wide compact Lavatory (specify model number and options). Fixture shall be fabricated from 14 gage, type 304 stainless steel. Construction shall be seamless welded and exposed surfaces shall have a satin finish. Countertop shall have raised soap ribs. Provide Air-Control pneumatically operated pushbutton valve. Valve to conform with NSF61, Section 9, 1997 lead free requirements. Cabinet bottom shall be enclosed and have no accessible voids or crevices where contraband can be concealed. Cabinet interior is sound-deadened with fire-resistant material. Fixture shall withstand loadings of 5,000 pounds without permanent damage. Fixture shall be furnished with necessary fasteners for proper installation.



Penal-Ware®: 1659 15" Compact Lavatory

WALL THICKNESS AND TYPE (Must Specify)

Thickness _____ Type: ___ Concrete ___ Block ___ Steel

MODEL AND OPTIONS SELECTION

BASE MODEL NUMBER

-1659 15" Compact Lavatory

FIXTURE MOUNTING AND WASTE (Must Specify)

-1 Off-Floor, Wall Outlet

BUBBLER SELECTION (Must Specify)

- BC Bubbler, Code
- BP Bubbler, Penal
- BPH Hemispherical Penal Bubbler
- LF Lav-Filler

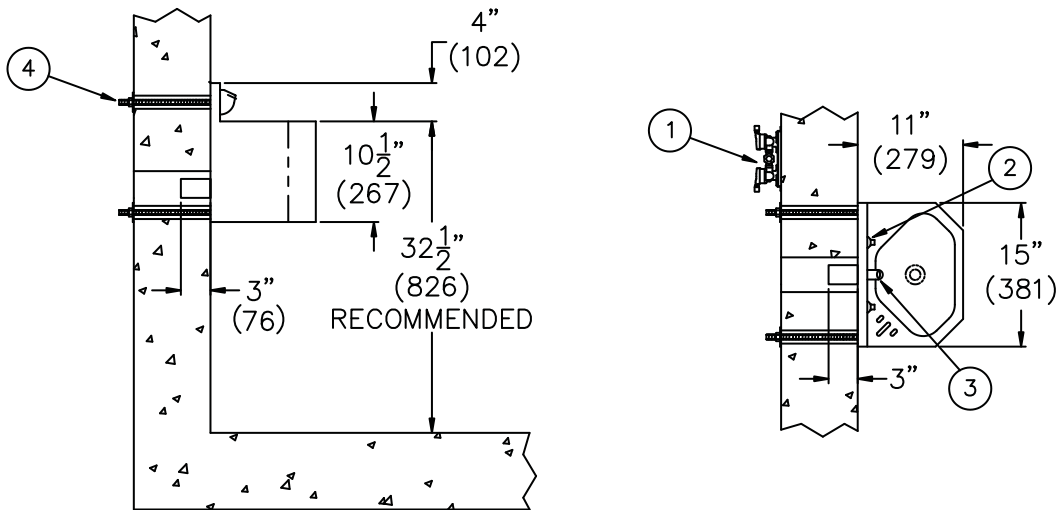
VALVE SELECTION (Must Specify)

- 3 Air-Control, Single Temperature
- 4 Air-Control, H & C
- 9 Punched for Valve by Others (Specify Punching)
- EVS1 Electronic Valve System - Single Temp
- EVS2 Electronic Valve System - Hot & Cold
- MVC1 Time-Trol - Single Temp
- MVC1-BAT Time-Trol - Single Temp Battery Operation
- MVC2 Time-Trol - Hot & Cold
- MVC2-BAT Time-Trol - Hot & Cold Battery Operation

Product Options

- EG Enviro-Glaze, Specify Color: _____
- FMT Fixture Mounted Trim
- IS Integral Shelf
- LW1 Lavy Thru-Wall Extension with P-Trap
- LWE Lavy Waste Extended Beyond Standard 3"
- M Metering
- MA Manifolded Valve ___ 2 ___ 3 ___ 4
- MH Metering, Hot Side Only
- MT Metal Template (Only 1 Required Per Project)
- OF Lavatory Overflow
- PBH Hemispherical Pushbutton
- PBP Pushrod Activated Pushbutton
- PH Integral Paper Holder
- PT P-Trap Waste
- SW Wall Sleeve
- TB Toothbrush Holder ___ Left ___ Right
- TF Transformer (for up to 12 solenoids)
- TG 12 Gage Cabinet
- TH Towel Hook ___ Single ___ Double ___ Left ___ Right
- VAC Acorn-Vac System
- VG1 Ventilation Grille 5-3/4"x8-3/4" ___ Left ___ Right
- VG2 Ventilation Grille 8-3/3"x13" (Bottom Only)

Please visit www.acorneng.com for most current specifications.



1659-1-BP-4

NOTES:

- 1. Optional -4 Air-Control Valve.
- 2. Lavy Valve Pushbuttons.
- 3. Lavy Bubbler.
- 4. Wall Mounting Hardware.

<p>Important: Installation instructions and current rough-in are furnished with each fixture. Do not rough in without certified dimensions. Dimensions are subject to manufacturer's tolerance of plus or minus 1/4" and change without notice. Acorn assumes no responsibility for use of void or superseded data. © Copyright 2004 Acorn Engineering Company</p>	
<p style="text-align: center;">Selection Summary</p> <p>Model No. & Option _____</p> <p>Quantity _____</p>	<p style="text-align: center;">Approved for Manufacturing</p> <p>Company _____ Title _____</p> <p>Signature _____ Date _____</p>