



Penal-Ware® 1675 Series

Blowout Jet Toilet - Off-Floor



1675-W-1

Fixture May Show Some Available Options

Please visit www.acorneng.com for most current specifications.

Blowout Jet Toilet - Off-Floor

Fixture is arranged to be installed on finished wall and serviced from an accessible pipe chase. Optional Wall Sleeve or Metal Template is recommended for all installations for required wall openings. Toilet bowl is fabricated from 14 gage, type 304 stainless steel and is seamless welded construction. Wall flange is structurally reinforced. Exterior is polished to a satin finish. The inside of the toilet bowl also has a satin finish. There are no accessible voids or crevices where contraband can be concealed.

Toilet is a blowout jet type with an elongated bowl manufactured to ANSI 112.19.2M requirements and requires a minimum of 35 PSI flow pressure. Toilet uses a water consumption of 1.6 gallons per flush or less. Trap has a minimum 3-1/2" seal and will pass a 2-1/8" ball. Toilet waste outlet is 2-3/8" diameter plain end extending 3" beyond the back of the unit.

Regularly Furnished items include mounting hardware for walls up to 8" thick.

GUIDE SPECIFICATION

Provide and install Acorn Penal-Ware Blowout Jet Toilet (specify model number and options). Toilet bowl shall be fabricated from 14 gage, type 304 stainless steel. Construction shall be seamless welded and exposed surfaces shall have a satin finish. Toilet shall be concealed blowout jet type with an elongated bowl, a self-draining flushing rim, and an integral contoured seat. Toilet shall meet ANSI 112.19.2M requirements, using an average water consumption of 1.6 gallons per flush or less. Toilet trap shall have a minimum 3-1/2" seal that shall pass a 2-1/8" diameter ball and be fully enclosed. Fixture shall withstand loadings of 3,000 pounds without permanent damage. Fixture shall be furnished with necessary fasteners for proper installation.



Penal-Ware® 1675: Blowout Jet Toilet - Off-Floor

WALL THICKNESS AND TYPE (Must Specify)

Thickness _____ Type: ___Concrete ___Block ___Steel

MODEL NUMBER AND OPTIONS SELECTION

BASE MODEL NUMBER

1675 Blowout Jet Toilet

SUPPLY (Must Specify)

- T Top (Exposed)
- W Wall (Concealed)

FIXTURE MOUNTING AND WASTE (Must Specify)

-1 Off-Floor, Wall Outlet

FLUSH VALVE GPFs (Must Specify)

- 1.6 GPF
- 3.5 GPF

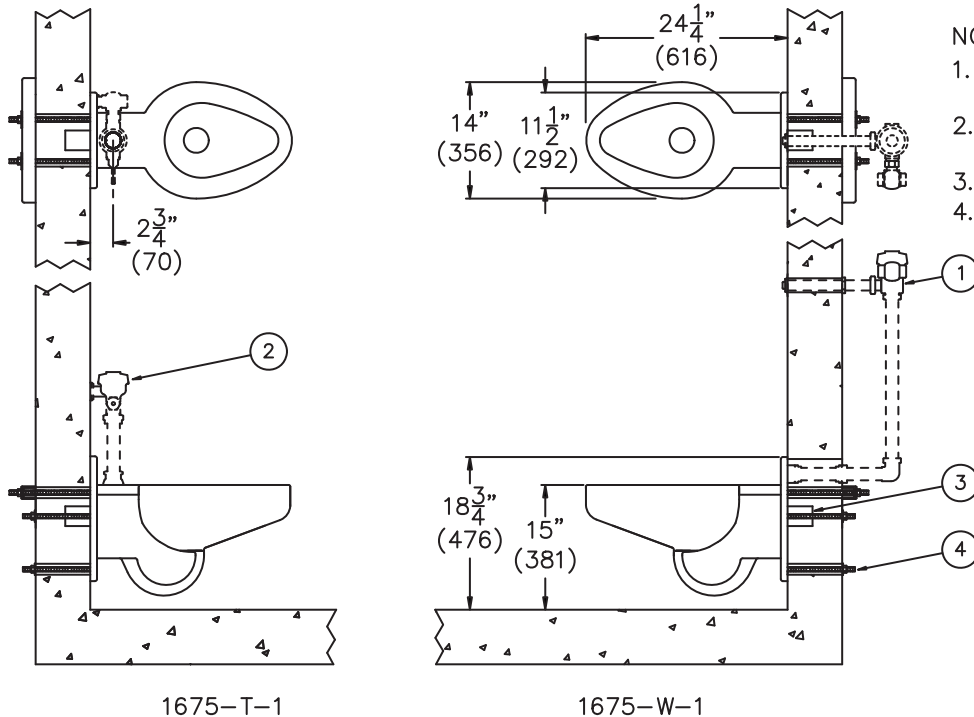
FLUSH VALVE OPTIONS (Must Specify)

- Flush Valve by Others
- EVSFV Master-Trol Flush Valve (N/A for Top Supply)
- FV Flush Valve (N/A for ADA)
- FVC Cover, Flush Valve (N/A for ADA, Top Supply Only)
- FVCH Cover, Hydraulic Flush Valve (Top Supply Only)
- FVH Flush Valve, Hydraulic
- FVL Flush Valve, Lever Handle (Top Supply Only)
- MVCFV Time-Trol Flush Valve (N/A for Top Supply)

Product Options

- ADA ADA Compliant - 18" Integral Seat Height
- CO1 Cleanout w/O-Ring, Connecting to No-Hub ___3" ___4"
- COH Cleanout Hook Assembly
- EG Enviro-Glaze, Specify Color: _____
- Exterior Only (Not Inside Bowl)
- Exterior & Inside Bowl
- FT Flood-Trol (Manual Reset)
- FTA Flood-Trol Auto-reset
- FTE Flood-Trol Electronic
- FVT Flush Valve Thru Wall Connector
- GW Gasketed Toilet Waste
- HPS High Polished Seat #7 Finish
- HS Hinged Seat
- MT Metal Template (Only 1 Required Per Project)
- PC Pinned Cleanout Plug
- PFS Punched for Hinged Seat by Others
- PH Paper Holder (Available Only with -FVC)
- SW Wall Sleeve
- TF Transformer, 120VAC to 24VAC
- TSC Toilet Shipping Cover
- TWE Toilet Waste Extension (3" Standard) Specify Length Beyond Fixture _____
- VAC Acorn Vac System
- WO3 3" Toilet P-Trap (3.5 GPF Only)
- WO3B 3" Bell Waste Outlet

Please visit www.acorneng.com for most current specifications.



NOTES:

1. Optional -FV Flush Valve - Wall Supply.
2. Optional -FV Flush Valve - Top Supply.
3. Toilet Waste Outlet.
4. Wall Mounting Hardware.

Important: Installation instructions and current rough-in are furnished with each fixture. Do not rough in without certified dimensions. Dimensions are subject to manufacturer's tolerance of plus or minus 1/4" and change without notice. Acorn assumes no responsibility for use of void or superseded data. © Copyright 2008 Acorn Engineering Company	
<p style="text-align: center;">Selection Summary</p> <p>Model No. & Option _____</p> <p>Quantity _____</p>	<p style="text-align: center;">Approved for Manufacturing</p> <p>Company _____ Title _____</p> <p>Signature _____ Date _____</p>