



**Penal-Ware® 1679 Series**  
Compact Blowout Jet Toilet - Off-Floor



1679-W-1

Fixture May Show Some Available Options

Please visit [www.acorneng.com](http://www.acorneng.com) for most current specifications.

### **Compact Blowout Jet Toilet - Off-Floor**

**Fixture** is arranged to be installed on finished wall and serviced from an accessible pipe chase. Optional Wall Sleeve or Metal Template is recommended for all installations for required wall openings. Toilet Bowl is fabricated from 14 gage, type 304 stainless steel and is seamless welded construction. Wall flange is structurally reinforced. Exterior is polished to a satin finish. The inside of the toilet bowl also has a satin finish. There are no accessible voids or crevices where contraband can be concealed.

**Toilet** is a blowout jet type with an elongated bowl manufactured to ANSI 112.19.2M requirements and requires a minimum of 35 PSI flow pressure. Toilet uses a water consumption of 1.6 gallons per flush or less. Trap has a minimum of 3-1/2" seal and will pass a 2-1/8" ball. Toilet waste outlet is 2-3/8" diameter plain end extending 8-1/4" beyond the back of the unit.

**Regularly Furnished** items include mounting hardware for walls up to 8" thick.

#### **GUIDE SPECIFICATION**

Provide and install Acorn Penal-Ware Compact Blowout Jet Toilet (specify model number and options). Toilet bowl shall be fabricated from 14 gage, type 304 stainless steel. Construction shall be seamless welded and exposed surfaces shall have a satin finish. Toilet shall be concealed blowout jet type with an elongated bowl, a self-draining flushing rim, and an integral contoured seat. Toilet shall meet ANSI 112.19.2M requirements, using an average water consumption of 1.6 gallons per flush or less. Toilet trap shall have a minimum 3-1/2" seal that shall pass a 2-1/8" diameter ball and be fully enclosed. Fixture shall withstand loadings of 3,000 pounds without permanent damage. Fixture shall be furnished with necessary fasteners for proper installation.



# Penal-Ware® 1679: Compact Blowout Jet Toilet - Off-Floor

### WALL THICKNESS AND TYPE (Must Specify)

Thickness \_\_\_\_\_ Type: \_\_\_Concrete \_\_\_Block \_\_\_Steel

### MODEL NUMBER AND OPTIONS SELECTION

#### BASE MODEL NUMBER

1679 Compact Blowout Jet Toilet

#### SUPPLY (Must Specify)

-W Wall (Concealed)

#### FIXTURE MOUNTING AND WASTE (Must Specify)

-1 Off-Floor, Wall Outlet

#### FLUSH VALVE GPFs (Must Specify)

-1.6 GPF

-3.5 GPF

#### FLUSH VALVE OPTIONS (Must Specify)

-Flush Valve by Others

-EVSVF Master-Trol Flush Valve

-FV Flush Valve (N/A for ADA)

-FVH Flush Valve, Hydraulic

-MVCFV Time-Trol Flush Valve

### Product Options

- ADA ADA Compliant - 18" Integral Seat Height

- CO1 Cleanout w/O-Ring, Connecting to No-Hub \_\_\_3" \_\_\_4"

- COH Cleanout Hook Assembly

- EG Enviro-Glaze, Specify Color: \_\_\_\_\_

- Exterior Only (Not Inside Bowl)

- Exterior & Inside Bowl

- FT Flood-Trol (Manual Reset)

- FTA Flood-Trol Auto-reset

- FTE Flood-Trol Electronic

- FVT Flush Valve Thru Wall Connector

- GW Gasketed Toilet Waste

- HS Hinged Seat

- HPS High Polished Seat #7 Finish

- MT Metal Template (Only 1 Required Per Project)

- PC Pinned Cleanout Plug

- SW Wall Sleeve

- TF Transformer, 120VAC to 24VAC

- TG 12 Gage Cabinet

- TSC Toilet Shipping Cover

- TWE Toilet Waste Extension (3" Standard)

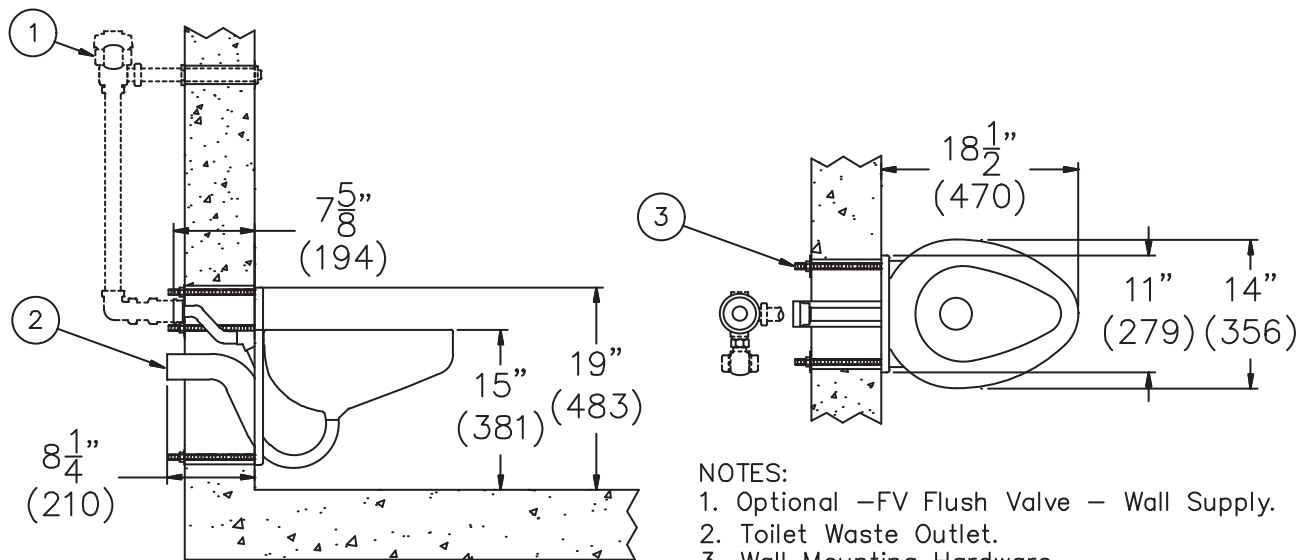
Specify Length Beyond Fixture \_\_\_\_\_

- VAC Acorn Vac System

- WO3 3" Toilet P-Trap (3.5 GPF Only)

- WO3B 3" Bell Waste Outlet

Please visit [www.acorneng.com](http://www.acorneng.com) for most current specifications.



#### NOTES:

1. Optional -FV Flush Valve - Wall Supply.
2. Toilet Waste Outlet.
3. Wall Mounting Hardware.

1679-W-1

<b>Important:</b> Installation instructions and current rough-in are furnished with each fixture. Do not rough in without certified dimensions. Dimensions are subject to manufacturer's tolerance of plus or minus 1/4" and change without notice. Acorn assumes no responsibility for use of void or superseded data. © Copyright 2008 Acorn Engineering Company	
<p style="text-align: center;"><b>Selection Summary</b></p> <p>Model No. &amp; Option _____</p> <p>Quantity _____</p>	<p style="text-align: center;"><b>Approved for Manufacturing</b></p> <p>Company _____ Title _____</p> <p>Signature _____ Date _____</p>