



Penal-Ware® 1696 Series

Econo Blowout Jet Toilet - Off Floor



1696-W-1

Fixture May Show Some Available Options

Please visit www.acorneng.com for most current specifications.

Econo Blowout Jet Toilet - Off Floor

Fixture is arranged to be installed on finished wall and serviced from an accessible pipe chase. Optional Wall Sleeve or Metal Template is recommended for all installations for required wall openings. Fixture mounting flange is fabricated of 16 gage and toilet bowl is fabricated of 14 gage, type 304 stainless steel. Exterior is polished to a satin finish. The inside of the toilet bowl also has a satin finish. Fixture is seamless welded construction. There are no accessible voids or crevices where contraband can be concealed.

Toilet is blowout jet type with an elongated bowl manufactured to ANSI 112.19.2M requirements and requires a minimum of 35 PSI flow pressure. Toilet uses a water consumption of 1.6 gallons per flush or less. Trap has a minimum of 3-1/2" seal and will pass a 2-1/8" ball. Toilet waste outlet is 2-3/8" diameter plain end and extends beyond the rear of the fixture 11-1/4". Toilet flushing inlet has 1-1/2" NPS male end and extends beyond the rear of the fixture 9-1/2".

Regularly Furnished items include mounting hardware for walls up to 8" thick to anchor thru fixture slots.

GUIDE SPECIFICATIONS

Provide and install Acorn Penal-Ware® Econo Blowout Jet Toilet (specify model number and options). Fixture shall be fabricated from 14 gage and 16 gage, type 304 stainless steel. Construction shall be seamless welded. Toilet shall be concealed blowout jet type with an elongated bowl and a self-draining flushing rim. Toilet shall meet ANSI 112.19.2M requirements, using an average water consumption of 1.6 gallons per flush or less. Toilet trap shall have a minimum 3-1/2" seal that shall pass a 2-1/8" diameter ball and be fully enclosed. Fixture shall withstand loadings of 1,500 pounds without permanent damage. Fixture shall be furnished with necessary fasteners for proper installation.



Penal-Ware® 1696: Econo Blowout Jet Toilet - Off Floor

WALL THICKNESS AND TYPE (Must Specify)

Thickness _____ Type: ___ Concrete ___ Block ___ Steel

MODEL NUMBER AND OPTIONS SELECTION

BASE MODEL NUMBER

1696 Econo Blowout Jet Toilet

SUPPLY (Must Specify)

- W Wall (Concealed)

FIXTURE MOUNTING AND WASTE (Must Specify)

- 1 Off-Floor, Wall Outlet

FLUSH VALVE OPTIONS (Must Specify)

- Flush Valve By Others

- FV Flush Valve ___1.6 GPF ___3.5 GPF

___EVSFV ___MVCFV

- FVH Flush Valve Hydraulic ___1.6 GPF ___3.5 GPF

Product Options

- CO1 Cleanout with O-Ring, Connecting to No-Hub ___3" ___4"

- COH Cleanout Hook Assembly

- EG Enviro-Glaze, Specify Color: _____

- Exterior Only (Not Inside Toilet)

- Exterior & Inside Bowl

- FT Flood-Trol (Manual Reset)

- FTE Flood-Trol Electronic

- MT Metal Template (Only 1 Required Per Project)

- PC Pinned Cleanout Plug

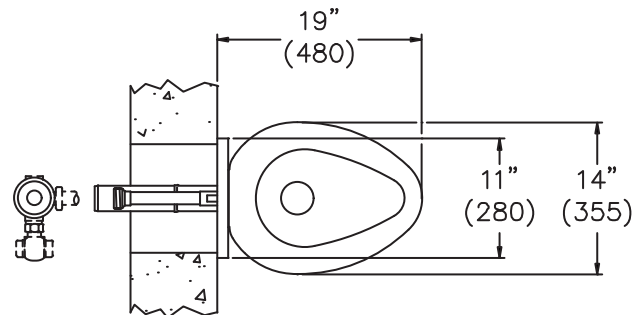
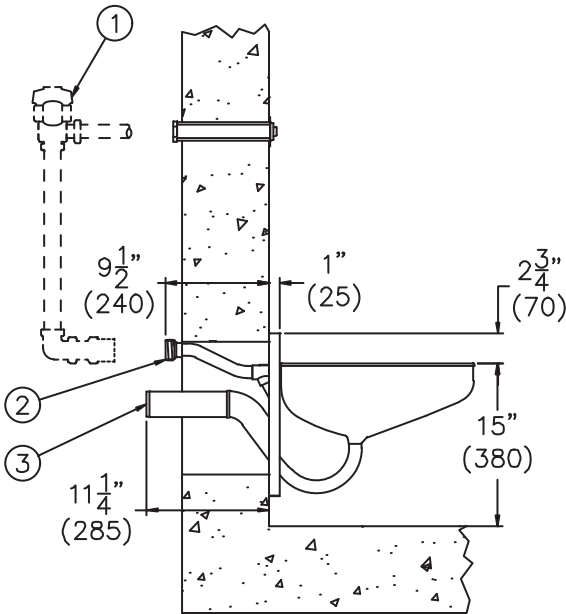
- SW Wall Sleeve

- TF Transformer, 120VAV to 24VAC

- TSC Toilet Shipping Cover

- VAC Acorn Vac System

Please visit www.acorneng.com for most current specifications.



1696

NOTES:

- Optional -FV Flush Valve - Wall Supply.
- 1-1/2" NPS Male Flushing Inlet - 9-1/2" Beyond Rear of Fixture.

- 2-3/8" O.D. Plain End Toilet Waste Outlet - 11-1/4" Beyond Rear of Fixture.

Important: Installation instructions and current rough-in are furnished with each fixture. Do not rough in without certified dimensions. Dimensions are subject to manufacturer's tolerance of plus or minus 1/4" and change without notice. Acorn assumes no responsibility for use of void or superseded data. © Copyright 2008 Acorn Engineering Company	
<p>Selection Summary</p> <p>Model No. & Option _____</p> <p>Quantity _____</p>	<p>Approved for Manufacturing</p> <p>Company _____ Title _____</p> <p>Signature _____ Date _____</p>