



## Penal-Ware® 1702 Series Washout Urinal



1702-T-1-FV

1702-W-1

Fixture May Show Some Available Options

Please visit [www.acorneng.com](http://www.acorneng.com) for most current specifications.

### Washout Urinal

**Fixture** is arranged to be installed on finished wall and serviced from an accessible pipe chase. Optional Wall Sleeve or Metal Template is recommended for all installations for required wall openings. Fixture is fabricated from 14 gage, type 304 stainless steel and is seamless welded construction. Exterior has a satin finish. Interior has a matte finish. Fixture is back wall washdown type, and is optionally available with a continuous flushing rim that washes all four walls. Corners are coved to facilitate cleaning. P-trap is fully enclosed. Back of fixture is sound-deadened with fire-resistant material. There are no accessible voids or crevices where contraband can be concealed.

**Urinal** is washout type. Flushing connection is 3/4" NPT male. Bottom is sloped to an integrally welded, high capacity, stainless steel beehive dome strainer. P-trap has a minimum of 2" seal.

**Mounting Hardware** is furnished for walls up to 8" thick.

### GUIDE SPECIFICATION

Provide and install Acorn Penal-Ware Washout Urinal (specify model number and options). Urinal shall be back wall washdown type. Fixture shall be fabricated from 14 gage, type 304 stainless steel and shall have coved corners to facilitate cleaning. Bottom shall be sloped to an integrally welded, high capacity, stainless steel beehive dome strainer. Construction shall be seamless welded and exterior surfaces shall have a satin finish. P-trap shall be fully enclosed. Fixture shall be furnished with necessary fasteners for proper installation.



# Penal-Ware®: 1702 Washout Urinal

## WALL THICKNESS AND TYPE (Must Specify)

Thickness \_\_\_\_\_ Type: \_\_\_ Concrete \_\_\_ Block \_\_\_ Steel

## MODEL NUMBER AND OPTIONS SELECTION

### BASE MODEL NUMBER

-1702 Washout Urinal

### SUPPLY (Must Specify)

-T Top (Exposed)  
 -W Wall (Concealed)

### FIXTURE MOUNTING AND WASTE (Must Specify)

-1 Off-Floor, Wall Outlet

### FLUSH VALVE GPFs (Must Specify)

-1.0 GPF  
 -1.5 GPF

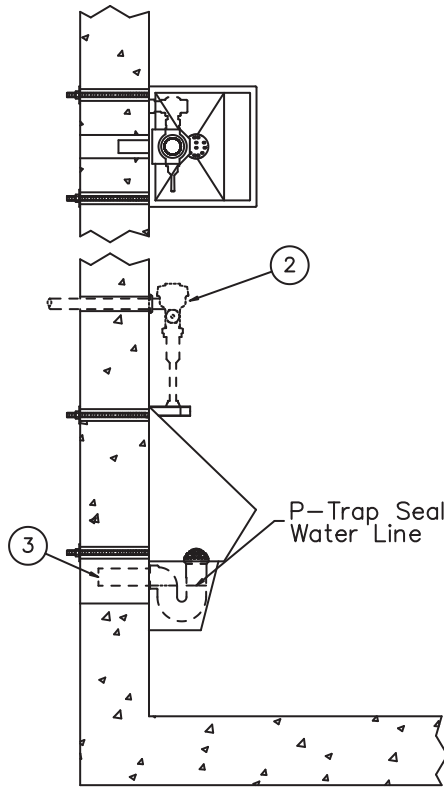
## FLUSH VALVE OPTIONS (Must Specify)

-Flush Valve By Others (N/A for Top Supply)  
 -EVSFV Master-Trol Flush Valve  
 -FV Flush Valve (N/A For ADA)  
 -FVC Cover, Flush Valve (N/A For ADA)  
 -FVCH Cover, Hydraulic Flush Valve  
 -FVH Flush Valve Hydraulic  
 -FVL Flush Valve Lever Handle  
 -MVCFV Time-Trol Flush Valve (N/A for Top Supply)

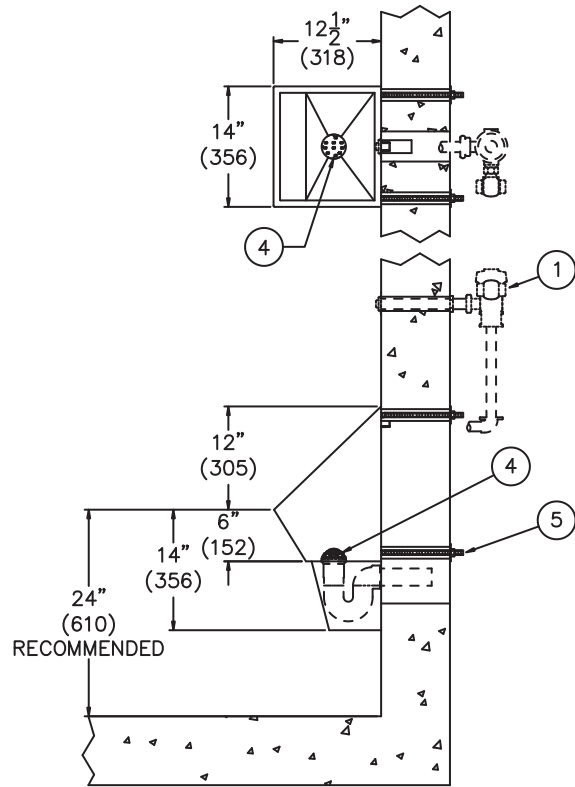
## Product Options

-CFR Continuous Flushing Rim  
 -EG Enviro-Glaze, Specify Color: \_\_\_\_\_  
 -FVT Flush Valve Thru Wall Connector  
 -MT Metal Template (Only 1 Required Per Project)  
 -SW Wall Sleeve  
 -TF Transformer, 120VAC to 24VAC  
 -TG Twelve Gage Housing

Please visit [www.acorneng.com](http://www.acorneng.com) for most current specifications.



NOTES: 1702-T-1



1702-W-1

- 1. Optional -FV Flush Valve - Wall Supply.
- 2. Optional -FV Flush Valve - Top Supply.
- 3. Urinal Waste Outlet.
- 4. Beehive Strainer.
- 5. Wall Mounting Hardware.

|   |  |
|---|--|
| <p><b>Important:</b> Installation instructions and current rough-in are furnished with each fixture. Do not rough in without certified dimensions. Dimensions are subject to manufacturer's tolerance of plus or minus 1/4" and change without notice. Acorn assumes no responsibility for use of void or superseded data. © Copyright 2006 Acorn Engineering Company</p> |  |
| <p>Selection Summary</p> <p>Model No. &amp; Option _____</p> <p>Quantity _____</p>  | <p>Approved for Manufacturing</p> <p>Company _____ Title _____</p> <p>Signature _____ Date _____</p> |