



1730 Series Cabinet Shower



1730-L-3-RD

Fixture May Show Some Available Options

Please visit www.acorneng.com for most current specifications.

Cabinet Shower

Cabinet is fabricated of heavy gage type 304 stainless steel. Construction is seamless welded. Exposed sides of the exterior and the interior, except the shower floor, have a satin finish. Shower floor has a slip resistant, matte finish. Vent is provided, 8-3/4" x 8-3/4", with 1/4" square holes providing 20 square inches of free area. Fixture requires wall openings and an accessible chase for installation and maintenance. Optional Wall Sleeve or Metal Template is recommended for all installations for required wall openings.

Shower floor has stainless steel reinforcing. Standard elbow waste is 2-3/8" OD plain end.

Valve is an Air-Control pneumatically operated, pushbutton valve using atmospheric air. Pushbutton is vandal-resistant and requires less than 5 pounds to activate valve. Valve is metering type with non-hold open feature. Timing is adjustable from 5 to 60 seconds. Valve includes a 2.5 GPM flow control and can be remotely located up to 10 feet from the operating pushbutton.

Shower Head and pushbutton escutcheon are chrome-plated brass. The Acorn Shower Head is factory installed on the inside of door jamb with concealed piping to the chase wall. Piping from the chase wall to the valve is furnished loose for field installation.

Regularly Furnished items include a metering Air-Control valve, a stainless steel surface-mounted soap dish with tamper-resistant fasteners, studs, and anchor plate, a towel hook welded on the outside of door jamb, and mounting hardware for walls up to 8" thick.

GUIDE SPECIFICATION

Provide and install Acorn Cabinet Shower (specify model number and options). Cabinet shall be one piece, heavy gage type 304 stainless steel. All seams shall be continuously welded. Exposed surfaces shall have a satin finish, except the shower floor, which shall have a slip resistant, matte finish. Cabinet shall have an integral vent 8-3/4" x 8-3/4" with 1/4" holes, providing 20 square inches of free area. Shower head shall be mounted on inside of door jamb with concealed piping to the chase wall. Valve shall be Air-Control metering type. Towel hook shall also be welded on the outside of the entry. Shower Cabinet shall be installed in accordance with manufacturers recommendations.



Penal-Ware® : 1730 Cabinet Shower

CHASE WALL OUTLET (Must Specify)

__ Back Wall __ Left Wall __ Right Wall

POLISHED EXTERIOR WALLS (Must Specify)

__ Left __ Right __ Back

WALL THICKNESS AND TYPE (Must Specify)

Thickness _____ Type: __ Concrete __ Block __ Steel

MODEL NUMBER AND OPTIONS SELECTION

BASE MODEL NUMBER

- 1730 30" x 30" Cabinet Shower
- 1732 32" x 32" Cabinet Shower
- 1736 36" x 36" Cabinet Shower

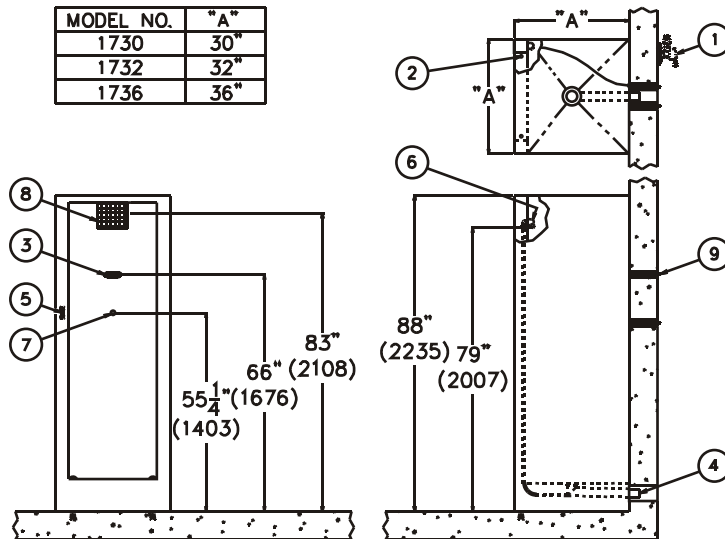
VALVE SELECTION (Must Specify)

- 3 Air-Control, Single Temperature
- 4 Air-Control, H & C
- 9 Punched for Valve by Others (Specify Punching)
- EVS1 Electronic Valve System - Single Temp
- EVS2 Electronic Valve System - Hot & Cold
- MVC1 Time-Trol - Single Temp
- MVC2 Time-Trol - Hot & Cold

Product Options

- CHV Closure Horizontal __-TF
- CHV Closure Vertical __-L __-R __-C __-AL __-AR
- EG Enviro-Glaze, Specify Color: _____
- F Flow Control 2.0 GPM
- FG 14 Gage Cabinet
- HAC Closure Horizontal Angled __-AL __-AR __-TSW
- IC Inside Caulk Waste
- KD Knock-Down Cabinet
- MA Manifoldded Valve __ 2
- MD Modesty Door __ Hinged Left __ Hinged Right
- MT Metal Template (Only 1 Required Per Project)
- PBH Hemispherical Pushbutton
- PT Integral P-Trap Waste
- RD Recessed Soap Dish
- SR Shower Receptor
- STC Sloping Top Closure
- SW Wall Sleeve
- TA Threshold Anchors
- TW1 Thru-Wall Waste Connection with P-Trap & Cleanout

Please visit www.acorneng.com for most current specifications.



NOTES:

1. Optional -3 Air-Control Valve.
2. Optional -TA Threshold Anchors.
3. Surface Mounted Soap Dish.
4. Elbow Waste Outlet.
5. Towel Hook.
6. Penal Shower Head.
7. Penal Pushbutton.
8. Integral Vent Grille.
9. Wall Mounting Hardware.

<p><small>Important: Installation instructions and current rough-in are furnished with each fixture. Do not rough in without certified dimensions. Dimensions are subject to manufacturer's tolerance of plus or minus 1/4" and change without notice. Acorn assumes no responsibility for use of void or superseded data. © Copyright 2003 Acorn Engineering Company</small></p>	
<p style="text-align: center;">Selection Summary</p> <p>Model No. & Option _____</p> <p>Quantity _____</p>	<p style="text-align: center;">Approved for Manufacturing</p> <p>Company _____ Title _____</p> <p>Signature _____ Date _____</p>